



SAFETY FIRST !!!!!

2914 Mission Stair Stepper Bunk Bed

All of Discovery's Bunkbeds were designed and manufactured with your child's safety as our top priority. Their unparalleled strength is a bi-product of the safety design. Our bunks meet all compliance with ASTM F 1427-07 "Standard Consumer Safety Specification for Bunk Beds" and Code of Federal Regulations (CFR) 1213 "Safety Standards for Entrapment Hazards in Bunk Beds" and (CFR) 1513 "Requirements for Bunk Beds".

Safety is a cooperative effort between us as the manufacturer, and you as a guardian. Please read and consider the warnings listed below when choosing a mattress and discussing rules of use with your child.

SAFETY WARNINGS

1. Follow the information on the warnings appearing on the upper bunk end structure and on the carton. Do not remove warning label from bed.
2. Always use the recommended size mattress or mattress support, or both, to help prevent the likelihood of entrapment or falls.
3. Surface of mattress must be at least 5 inches (127 mm) below the upper edge of guardrails.
4. Do not allow children under 6 years of age to use the upper bunk.
5. Prohibit more than one person on the upper bunk.
6. Periodically, check and ensure that the guardrail, ladder, and other components are in their proper position, free from damage, and that all connectors are tight.
7. Do not allow horseplay on or under the bed and prohibit jumping on the bed.
8. Always use the ladder for entering and leaving the upper bunk.
9. Do not use substitute parts. Contact the manufacturer or dealer for replacement parts.
10. Use of a nightlight may provide added safety precaution for a child using the upper bunk.
11. Always use guardrails on both long sides of the upper bunk. If bunk bed will be placed next to the wall, the guardrail that runs the full length of the bed should be placed against the wall to prevent entrapment between the bed and wall.
12. The use of water or sleep flotation mattresses is prohibited.
13. Keep these instructions for future reference.

STRANGULATION HAZARD—Never attach or hang items to any part of the bunk bed that are not designed for use with the bed; for example, but not limited to, hooks, belts and jump ropes.

SIZE OF MATTRESS AND FOUNDATION

Use only mattress, foundation and deck combined which is 74-75 inches long and 37 ½-38 ½ inches wide on upper bunk.

Ensure thickness of mattress and foundation combined does not exceed 9 inches and mattress and is at least 5 inches below upper edge of guardrails.

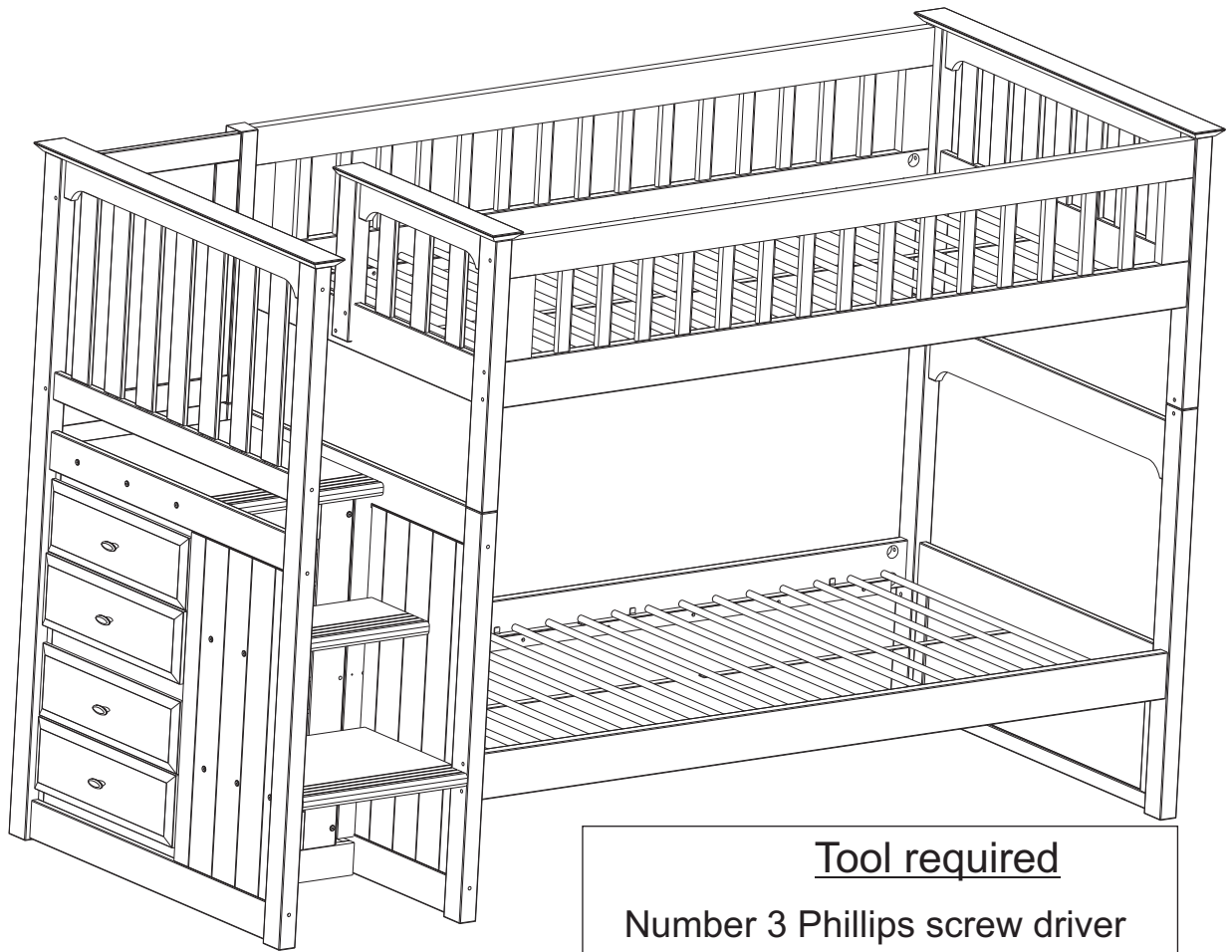
*****Replacement parts, including additional guardrails, may be obtained from any Discovery dealer or directly from us at the below address.

Patent # US 7,832,031 B1

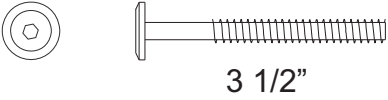
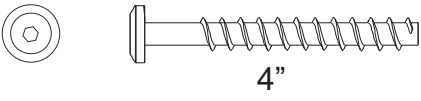
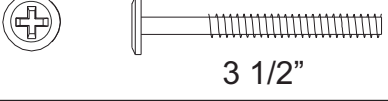
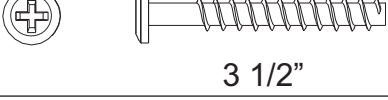
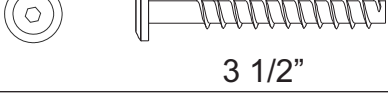

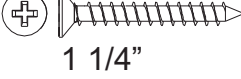
915 Cornwall Road
Sanford, FL 32773




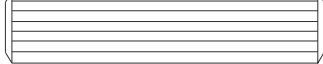


Stair Stepper Bed Left Side Facing

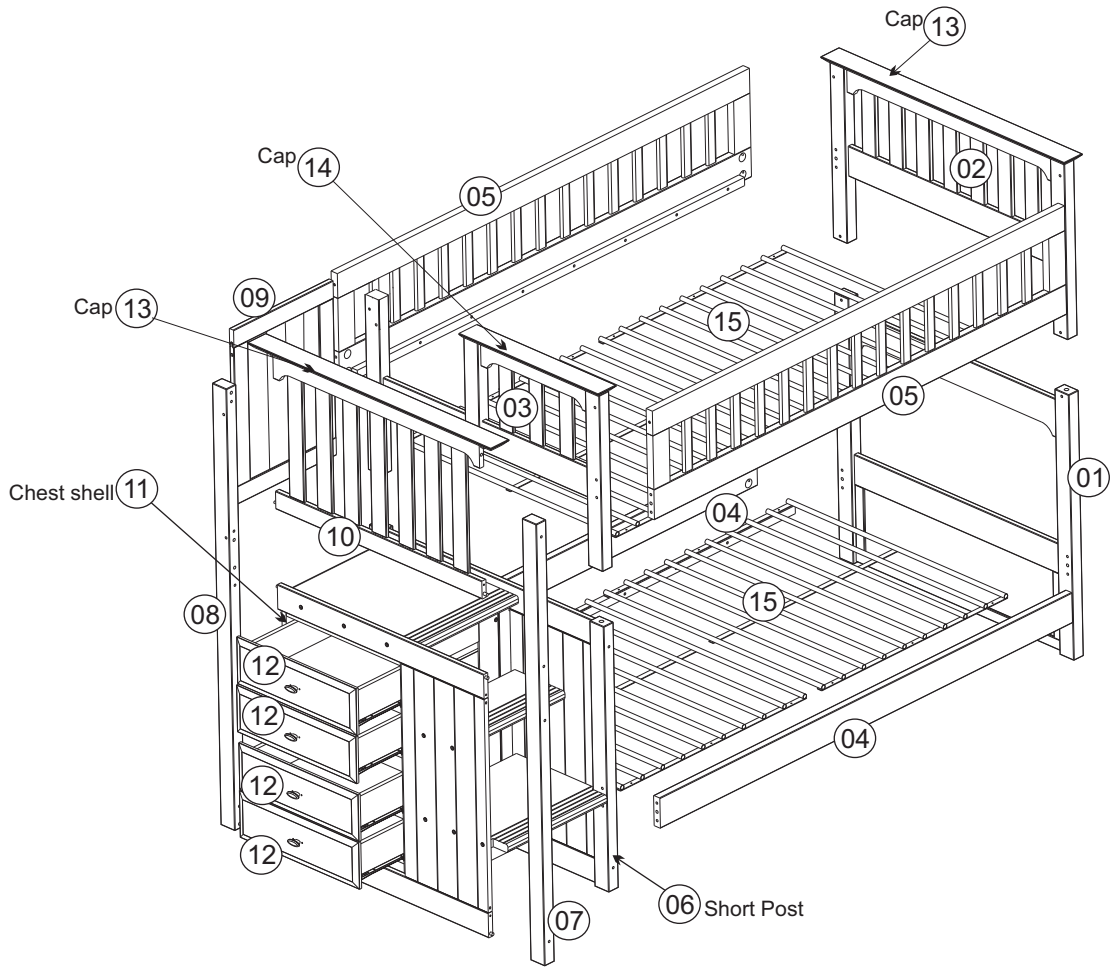
*For Right side facing go to page 11



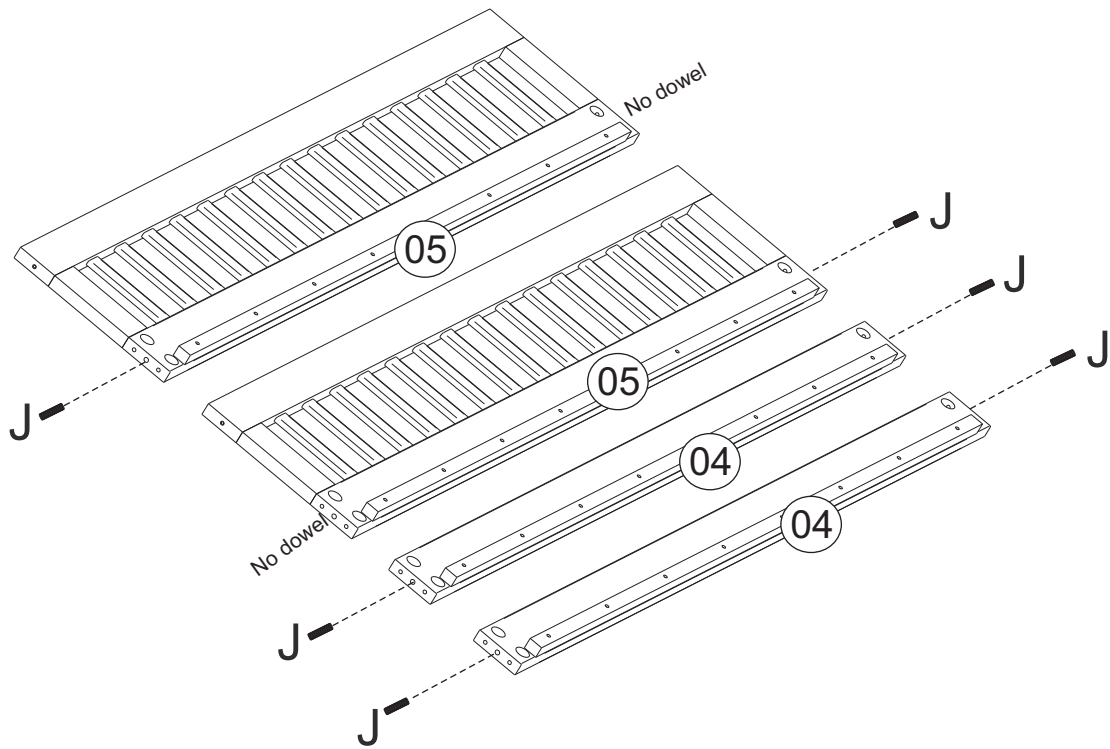
Tool required
Number 3 Phillips screw driver

A		14
B		04
C		02
D		02
E		06
F		16
G		04

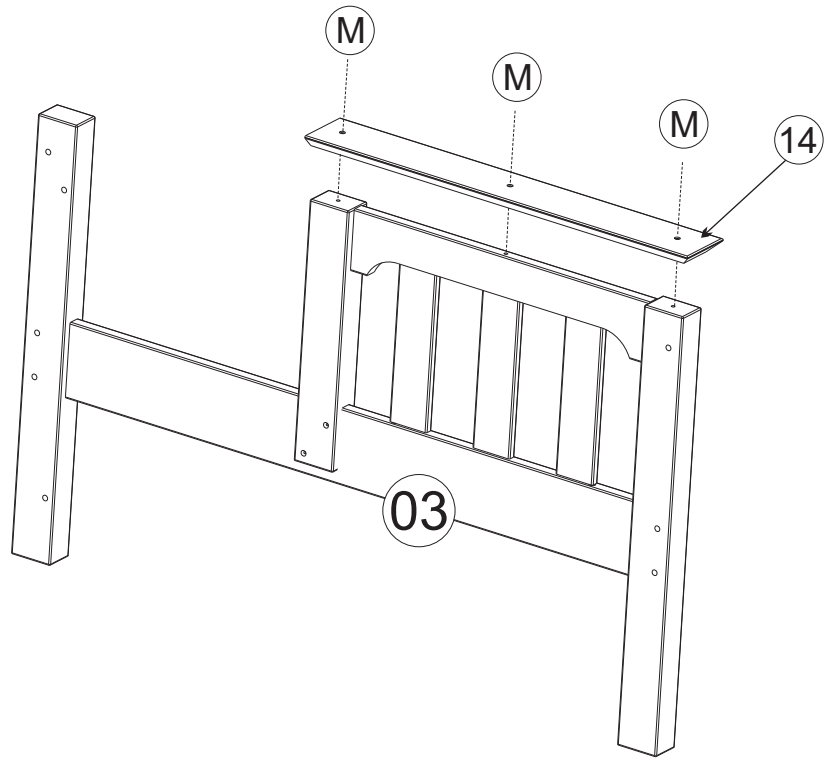
H		08
I	 ALLEN WRENCH	01
J	 1 3/4"	06
K	 3 1/2"	04
L	 ALLEN BIT	01
M	 2"	09



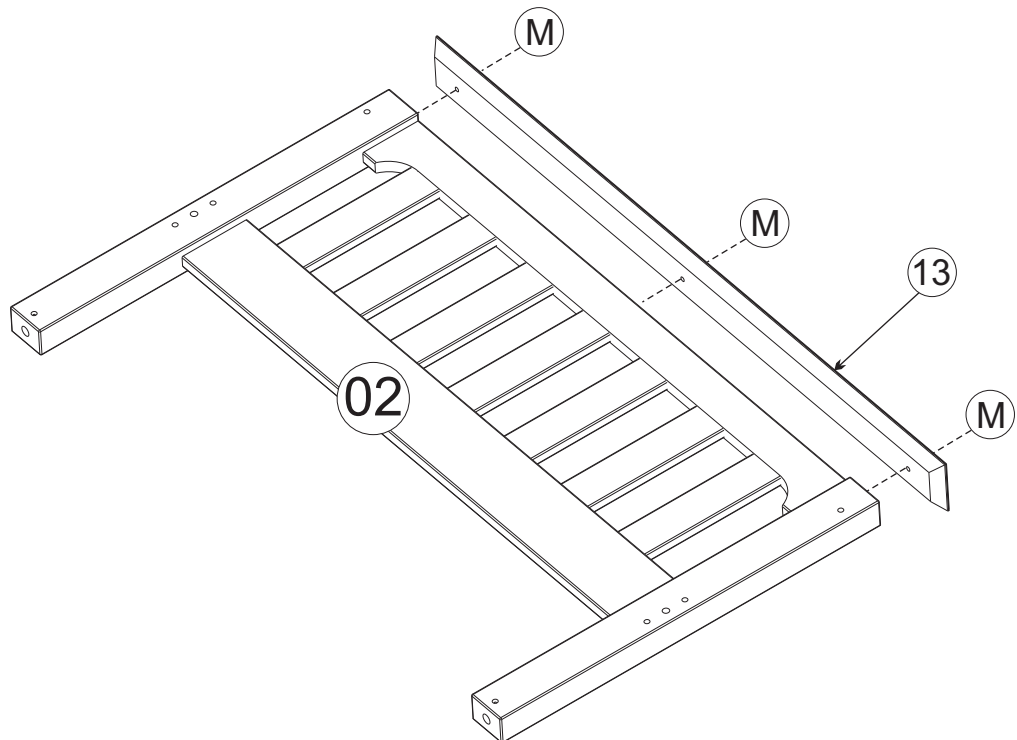
1



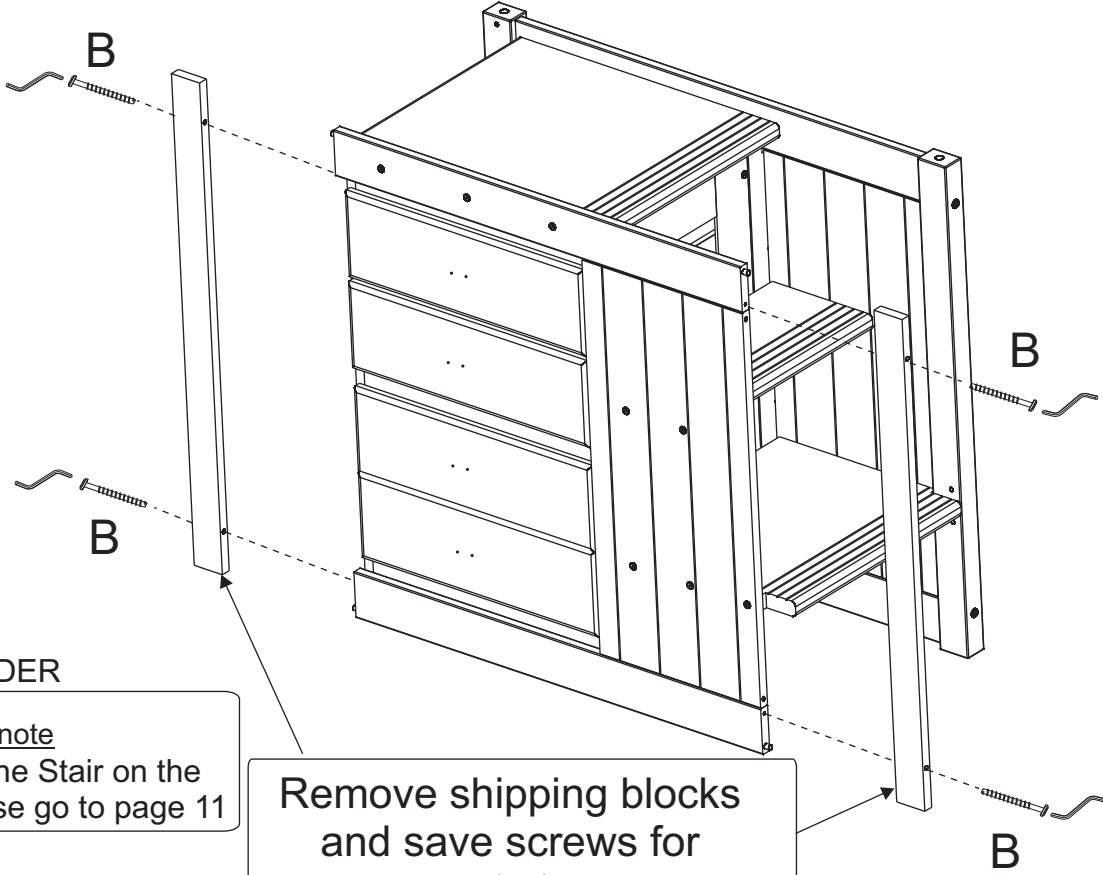
2



3



4



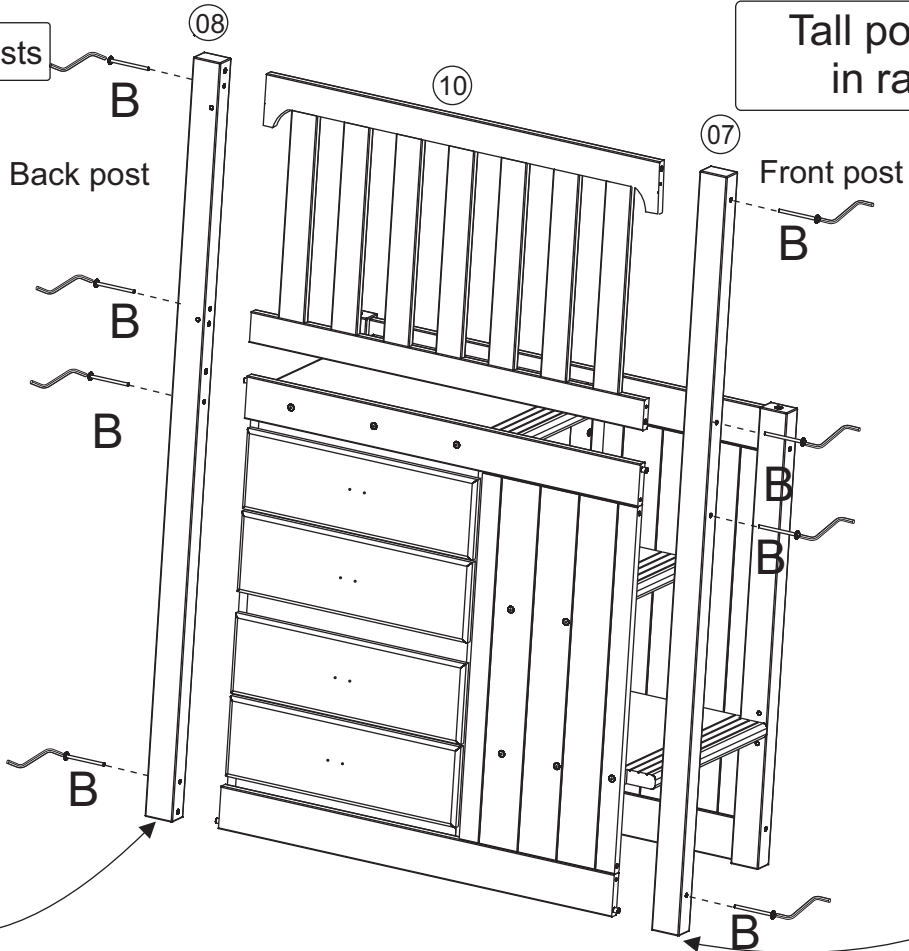
REMINDER

Important note
If you want the Stair on the right side please go to page 11

Remove shipping blocks and save screws for next step

5

Install tall posts



Tall posts located in rail box #3

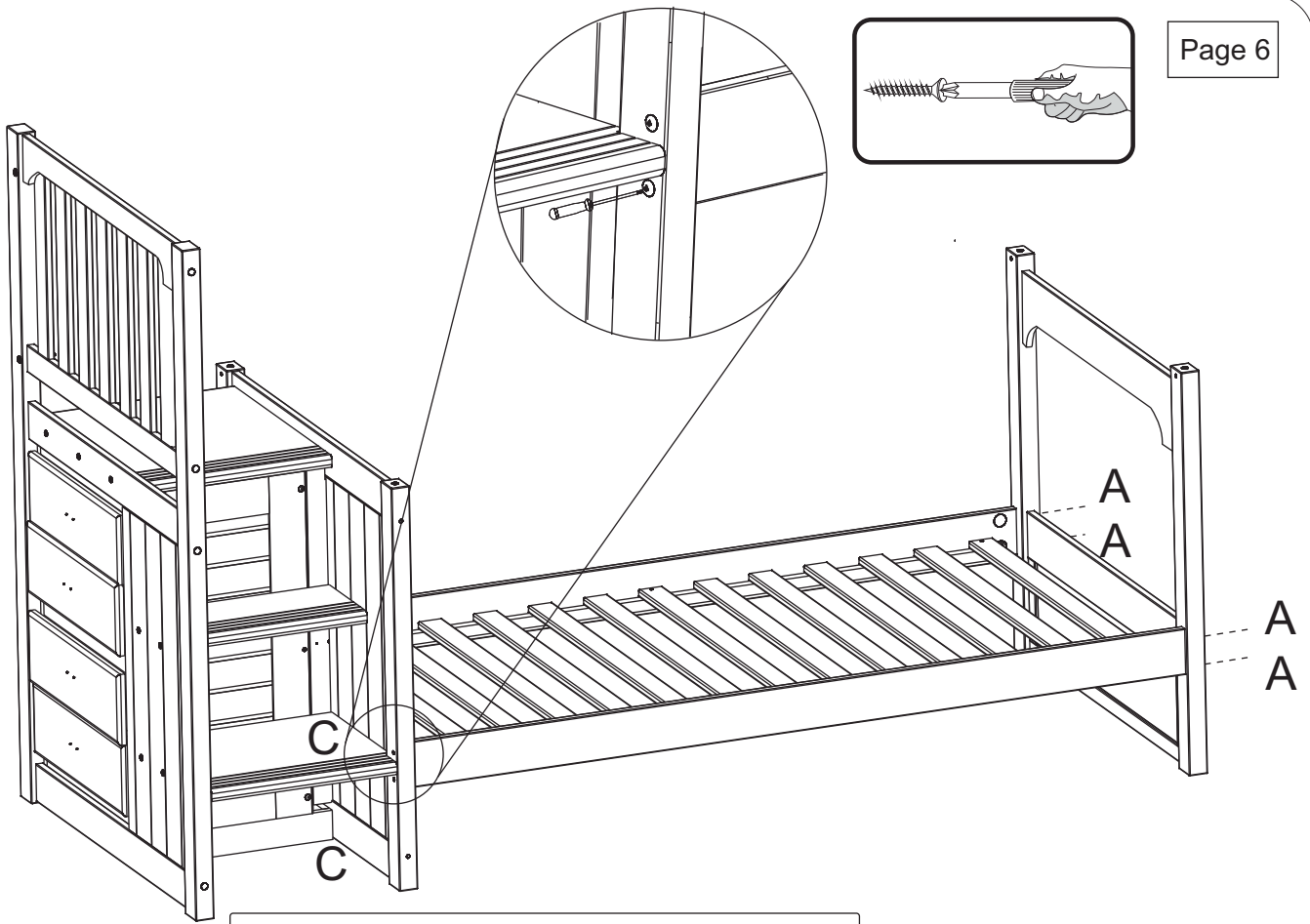
Check stamp under the post

Back

Check stamp under the post

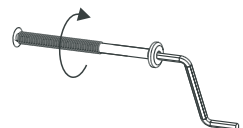
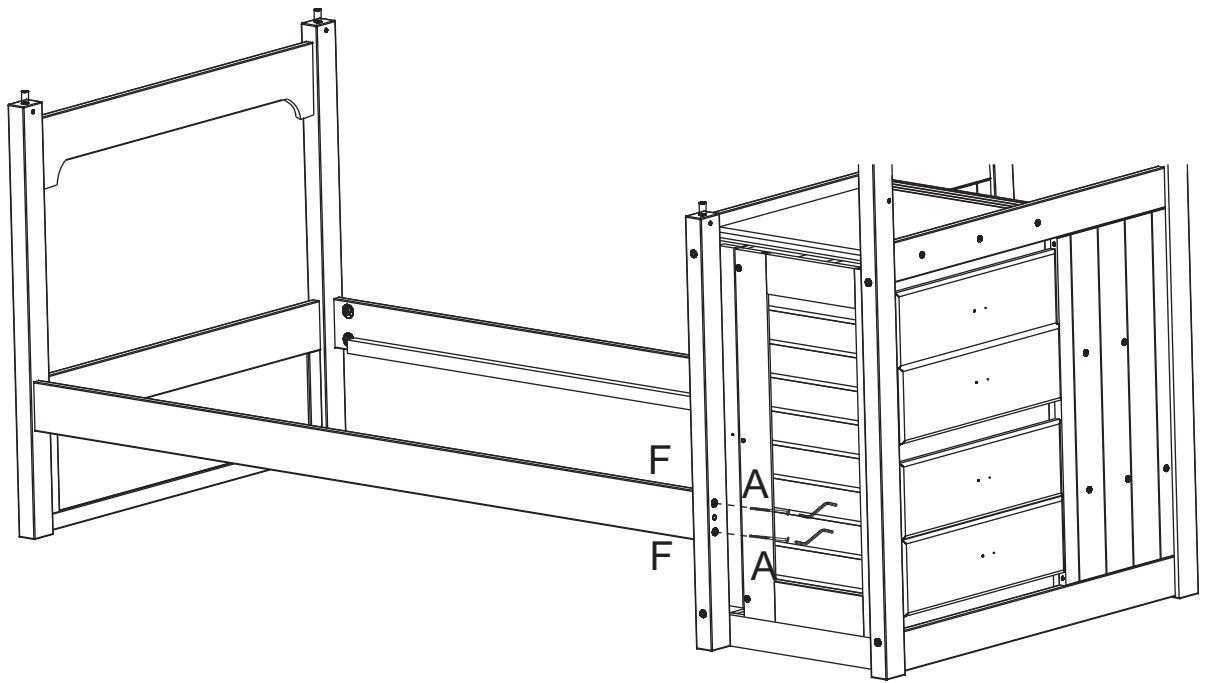
Front

6



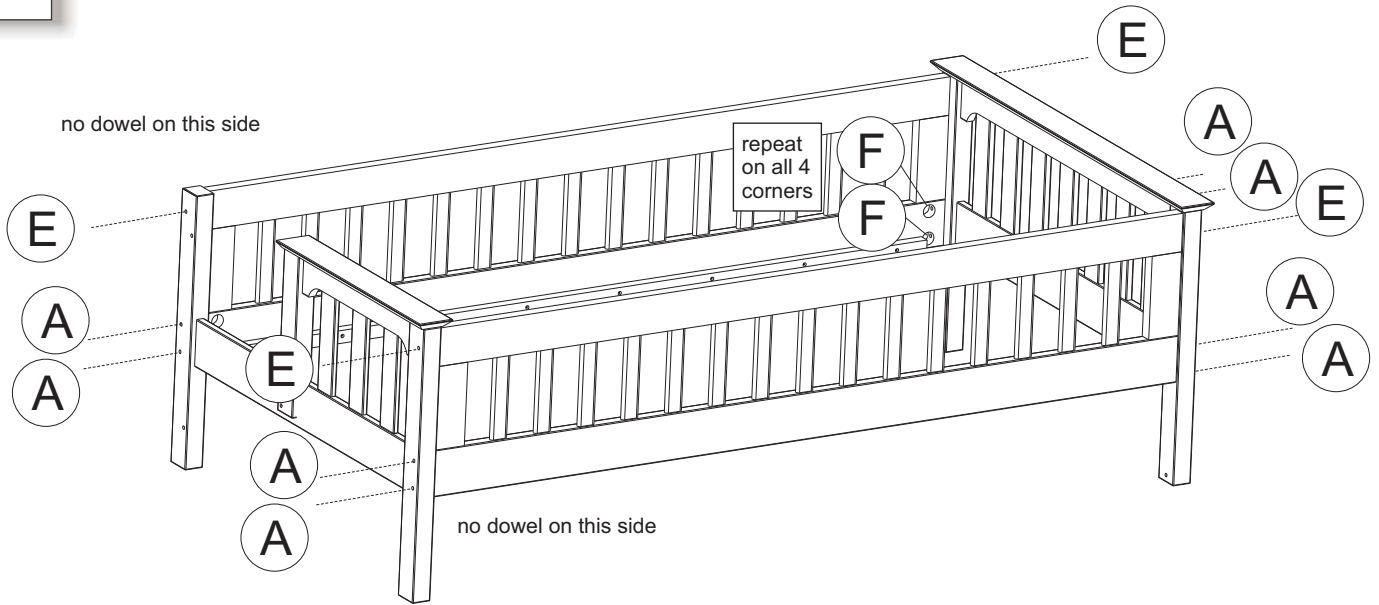
Phillips head screw, use screw driver.

7



8

Setup top bed

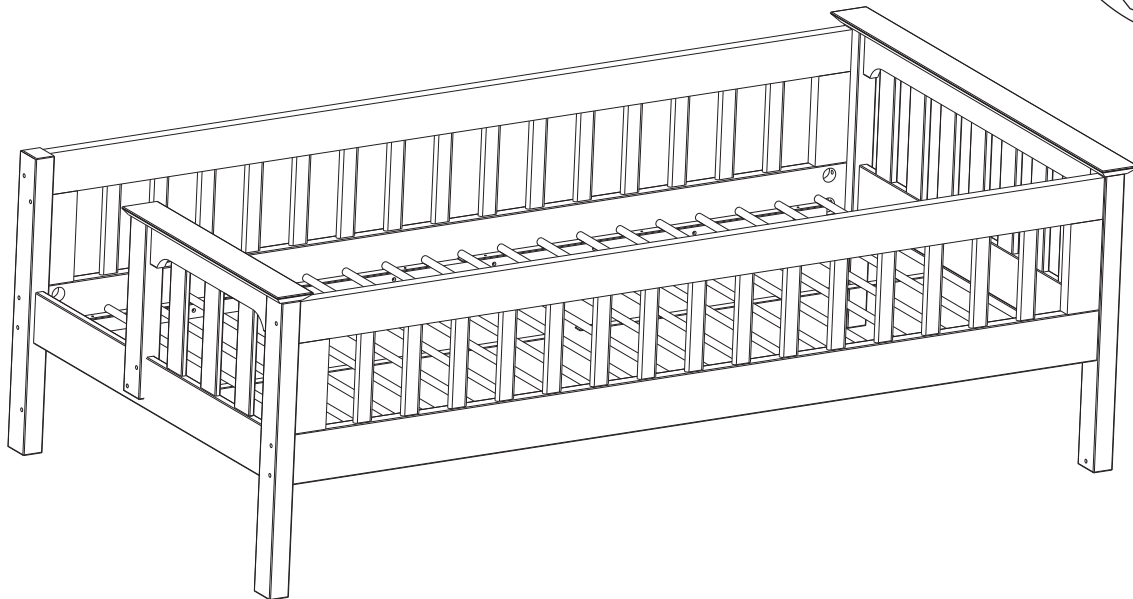
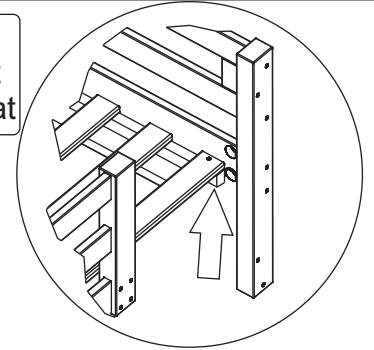


9

Install Slat kit

Hardware in Slat kit box

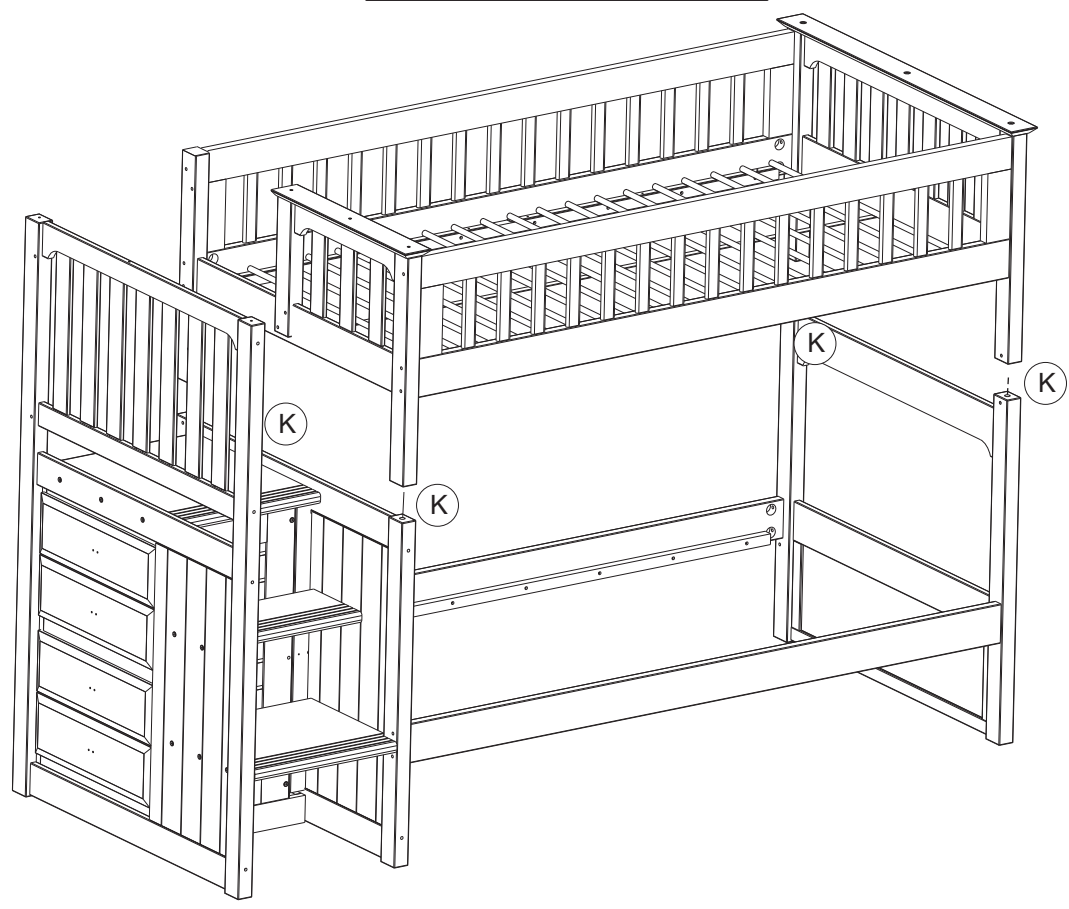
Always start assembling slat kit flush with cleat



10

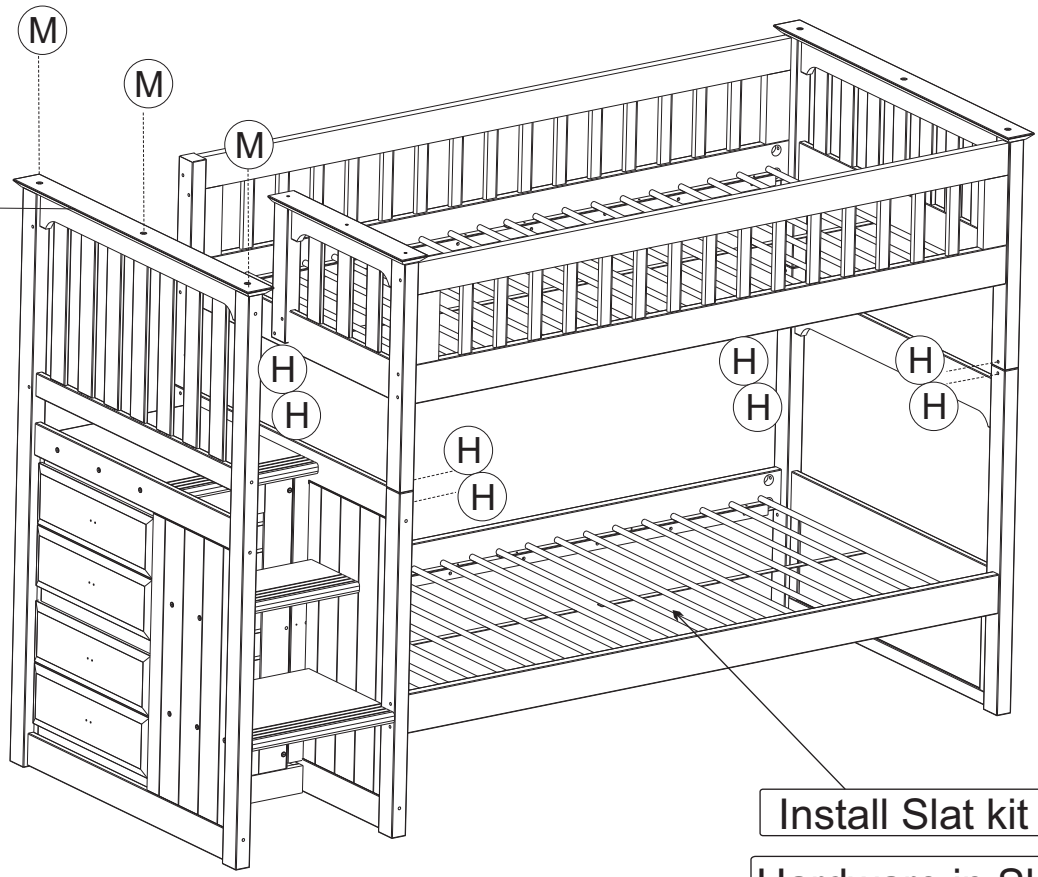
Drop Top Bed in Place

Page 8



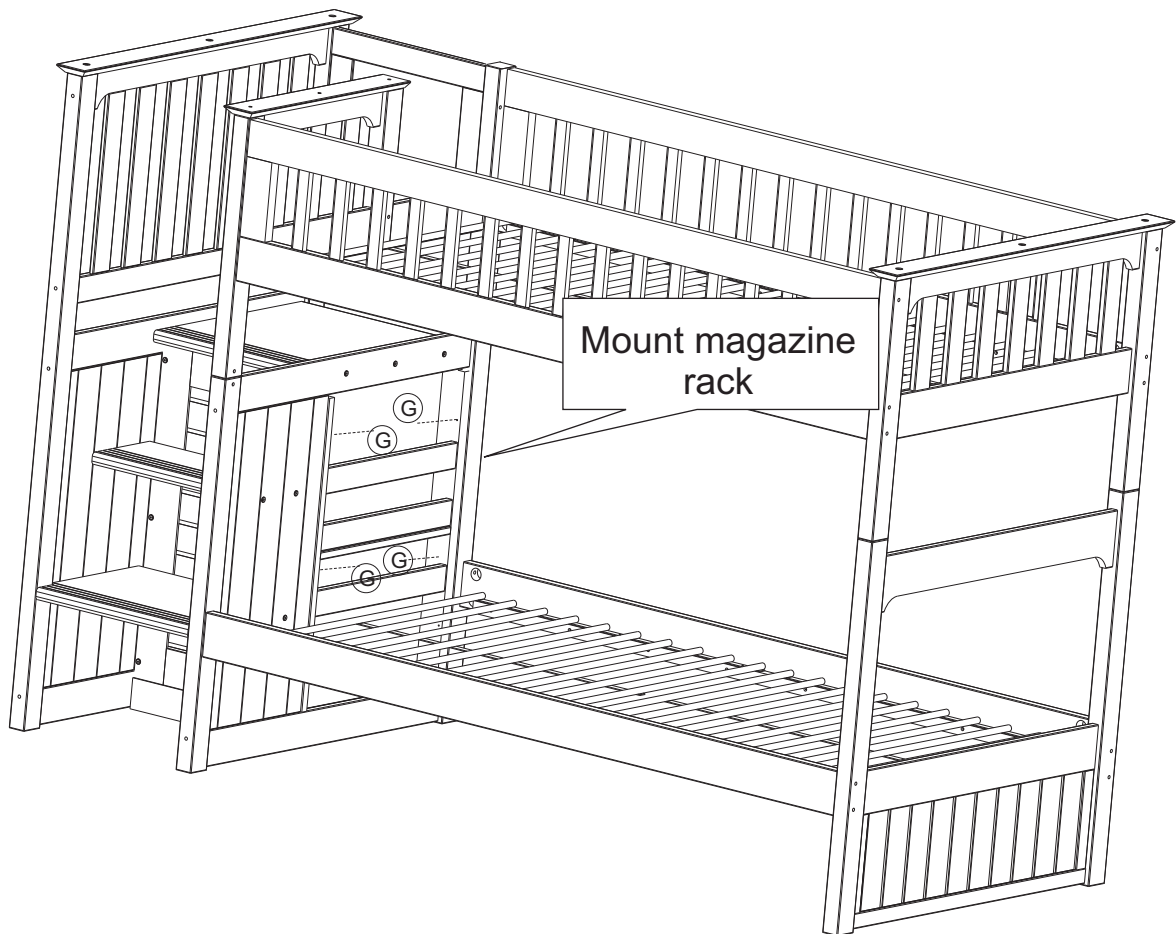
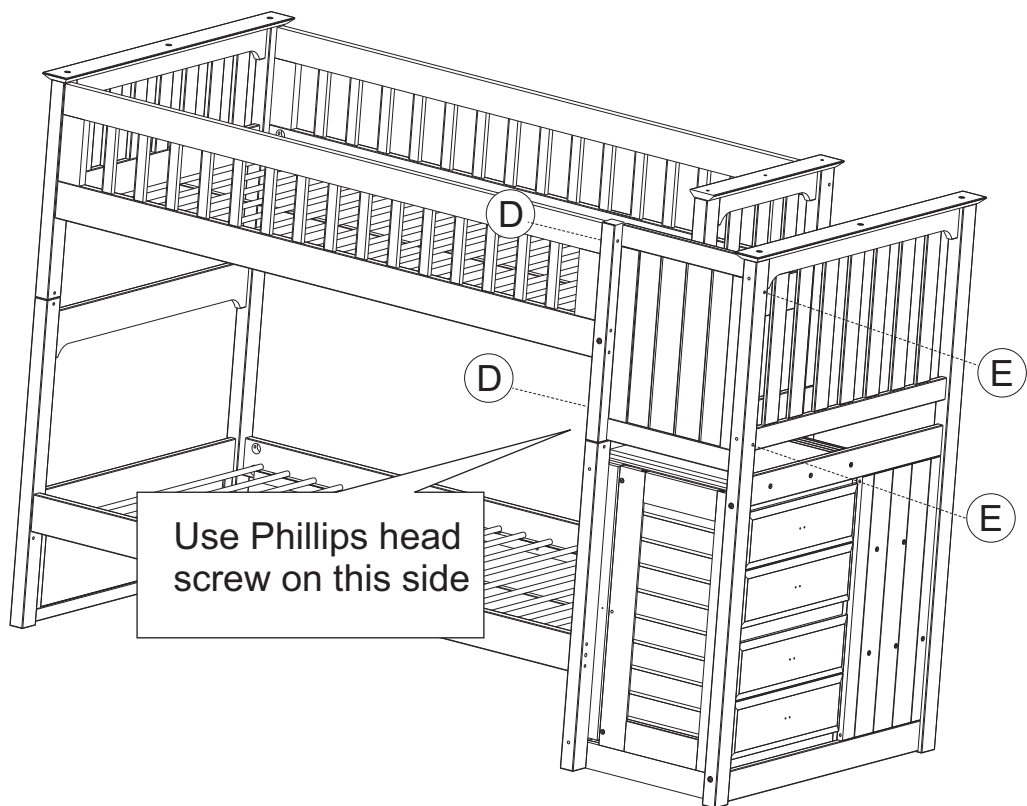
11

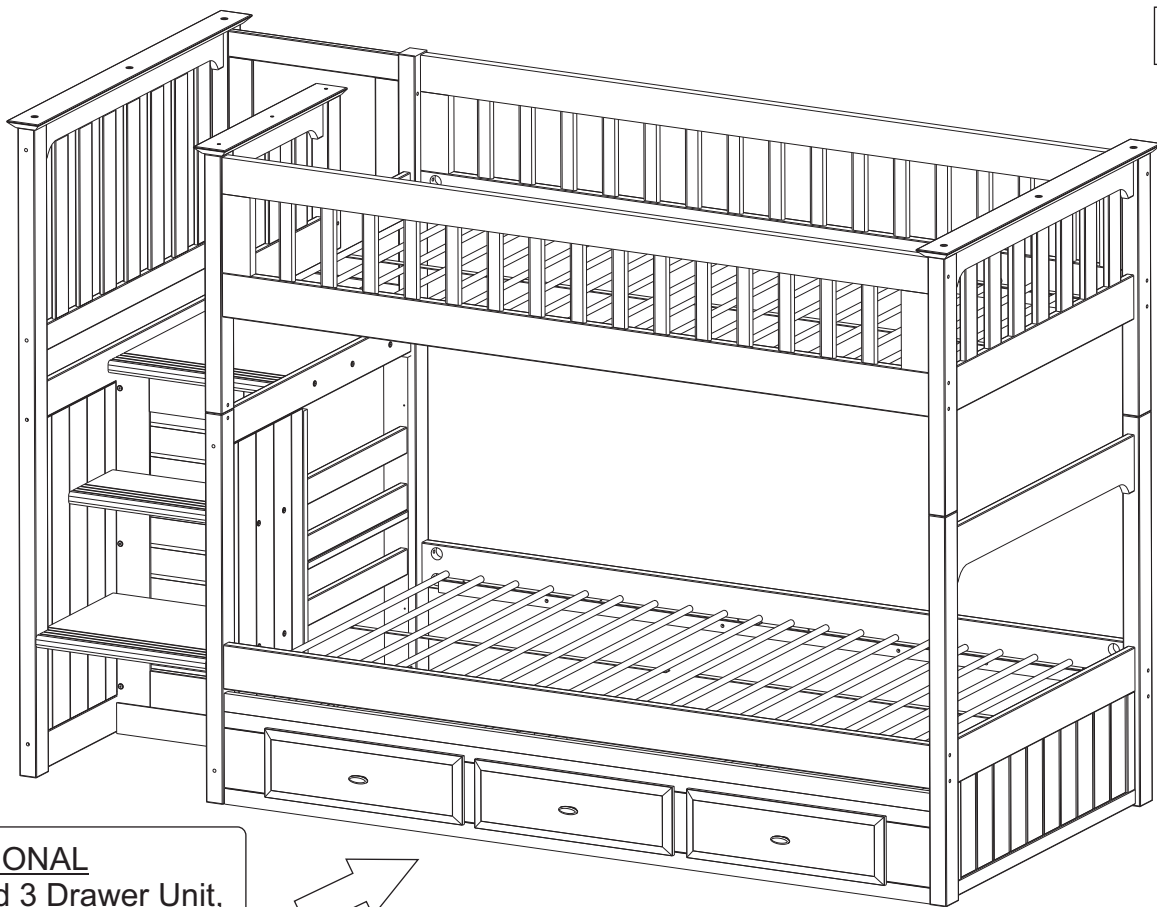
13



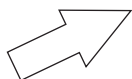
Install Slat kit

Hardware in Slat kit box

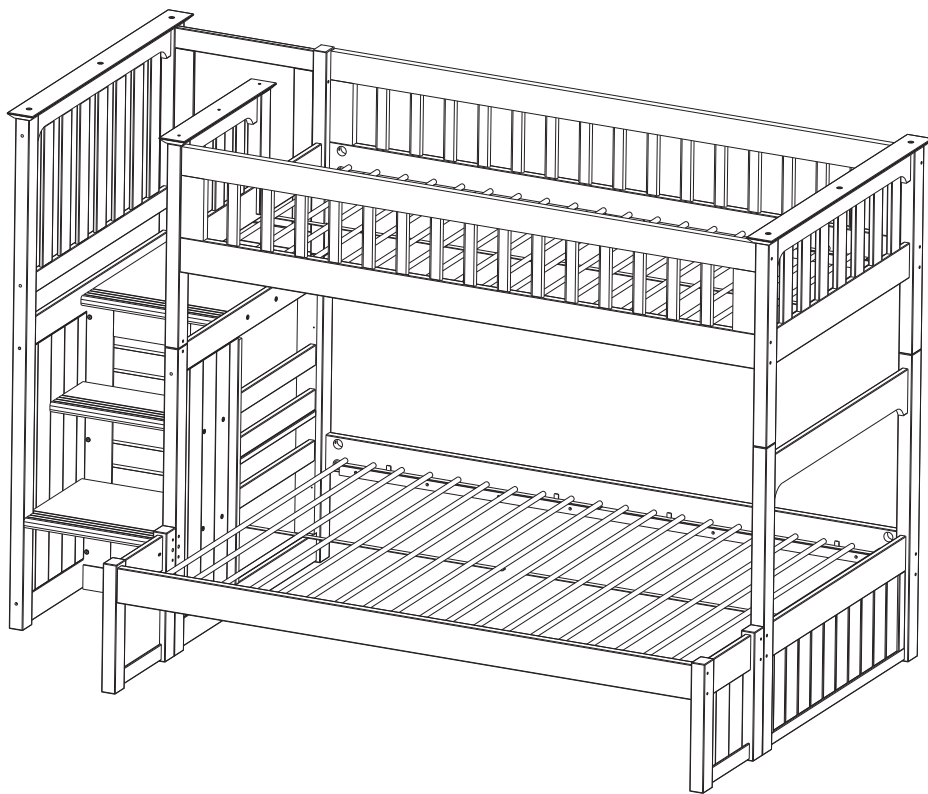




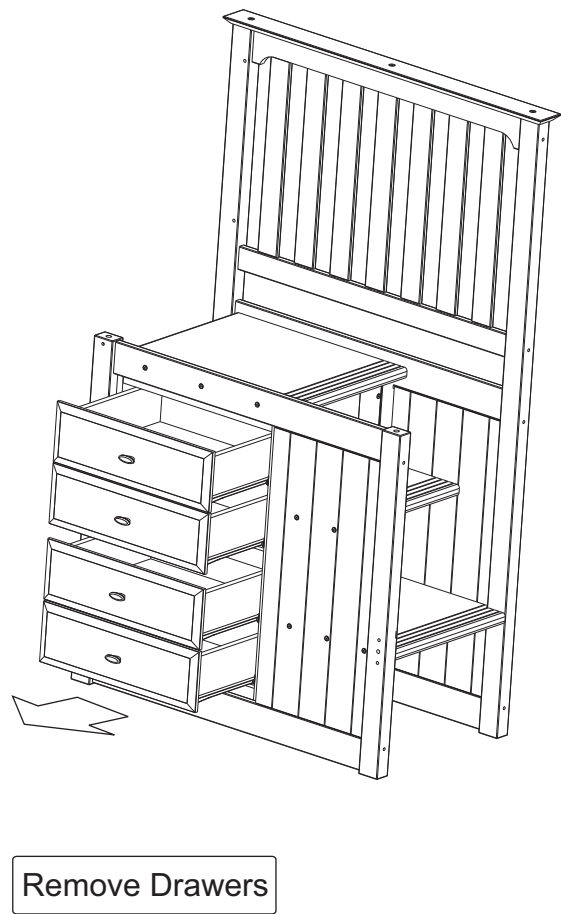
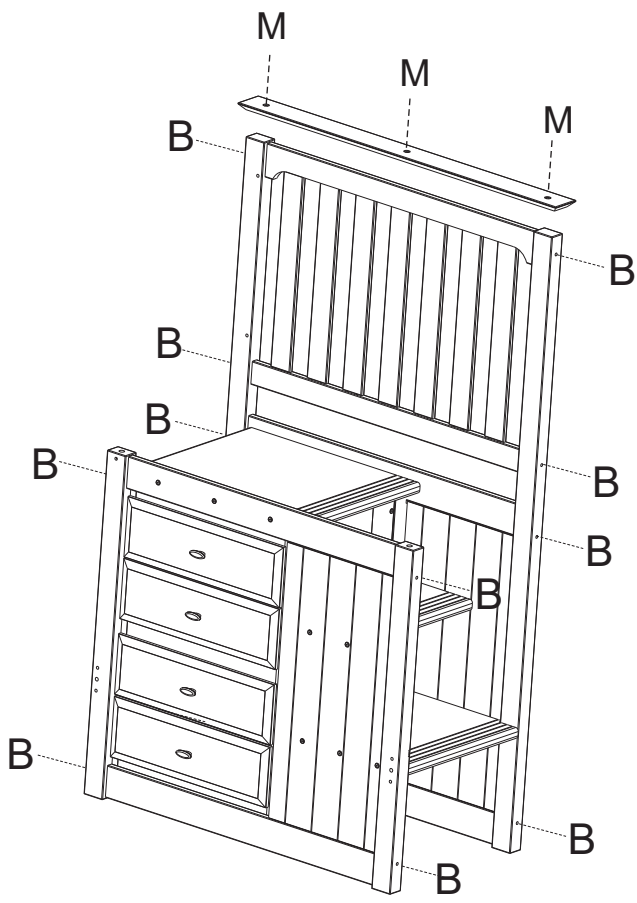
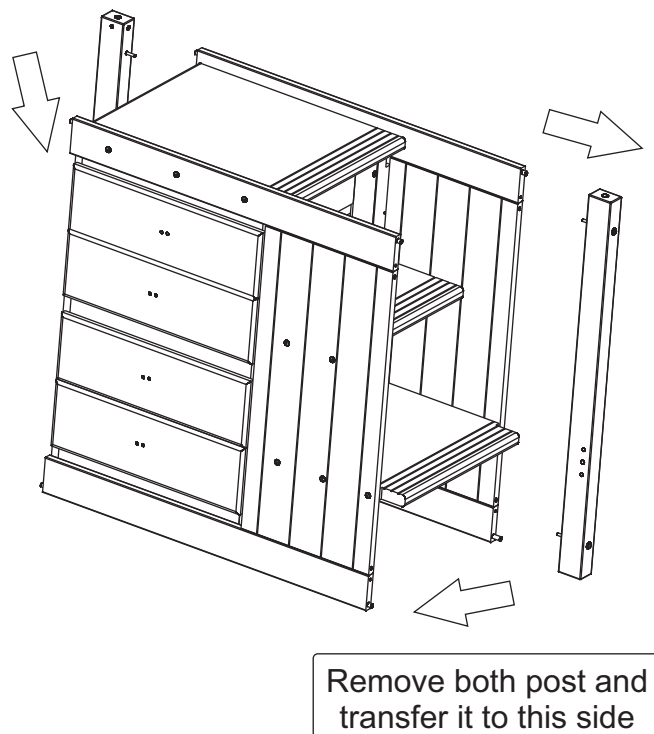
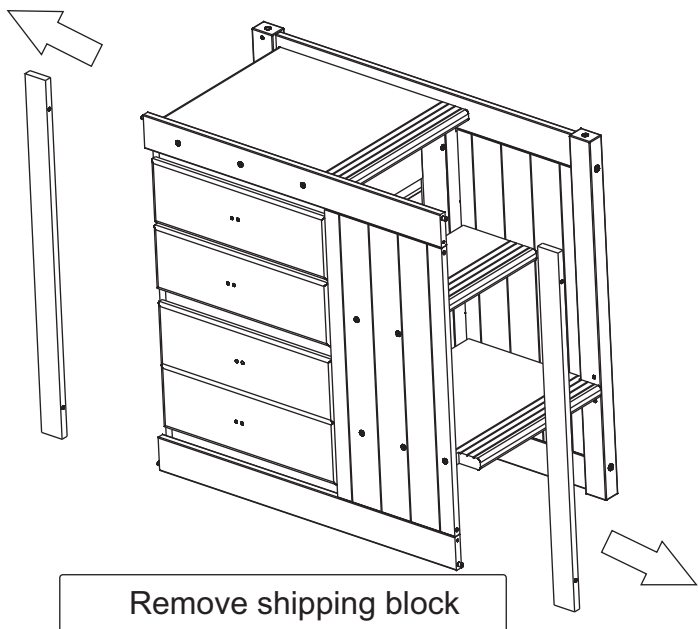
OPTIONAL
Pre-Assembled 3 Drawer Unit,
Simply Slide Under The Bunk



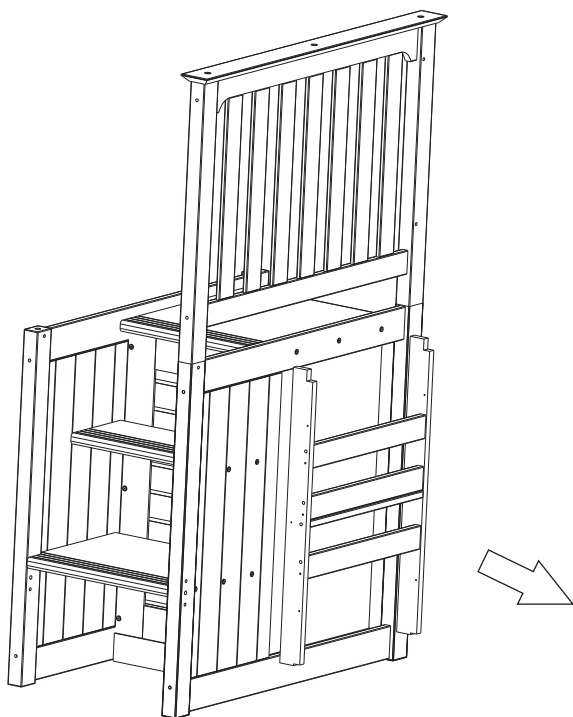
Shown With Optional Full Extension Kit



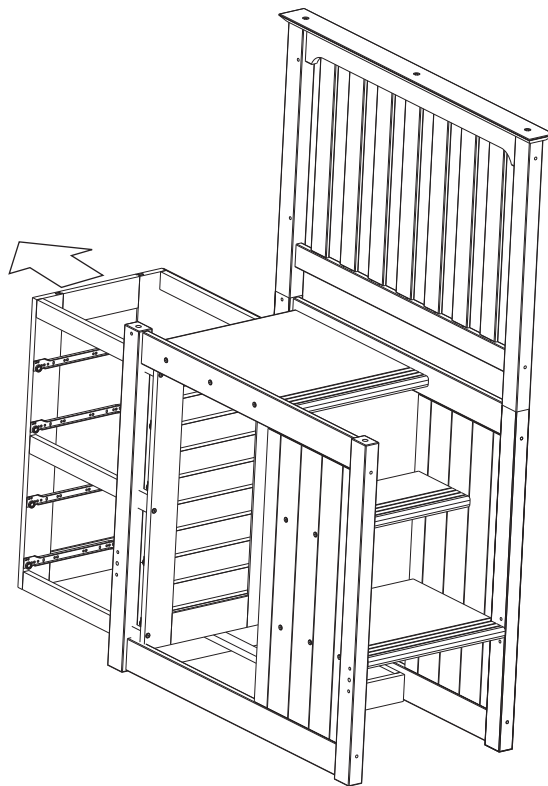
To Install stair case on the right side follow these steps



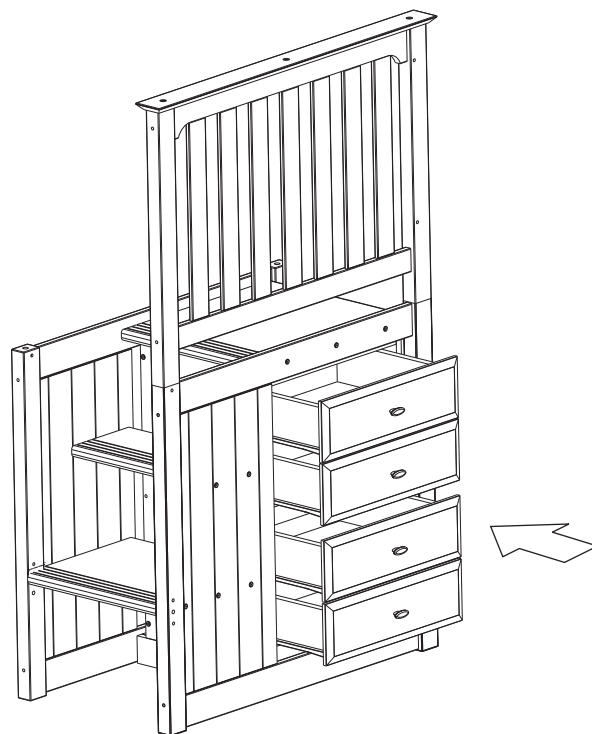
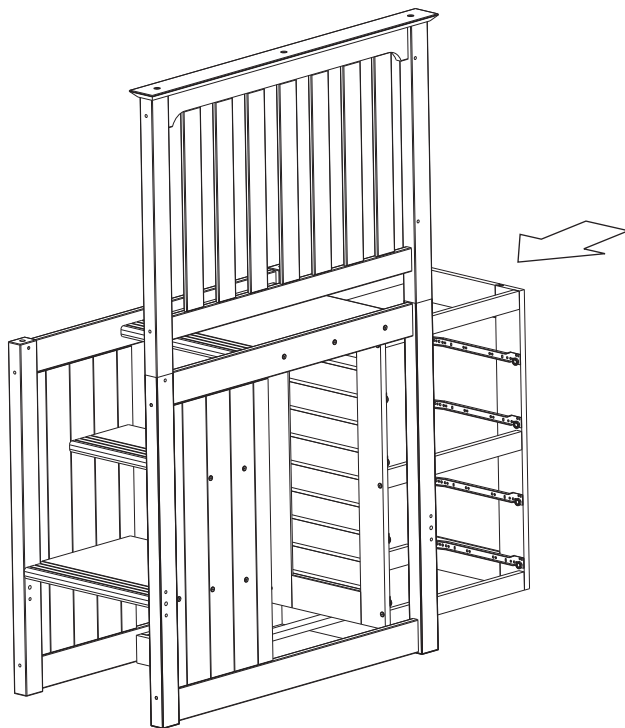
Slide Chest out



Remove Magazine Rack

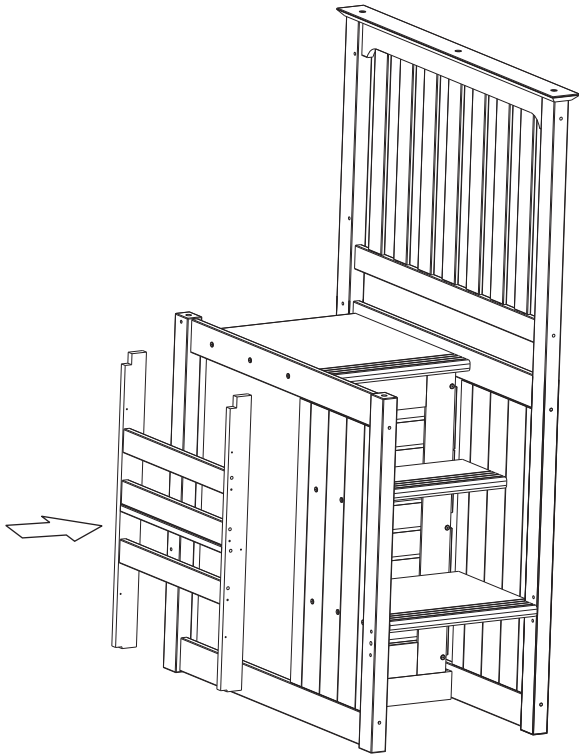


Turn chest around and slide it back in

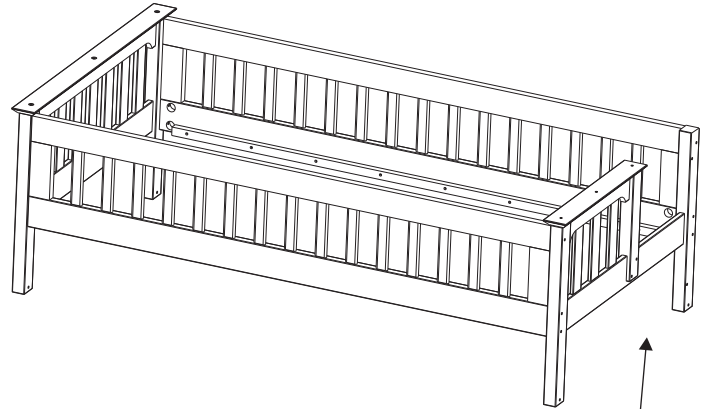


Slide Drawers back in

Setup top bed

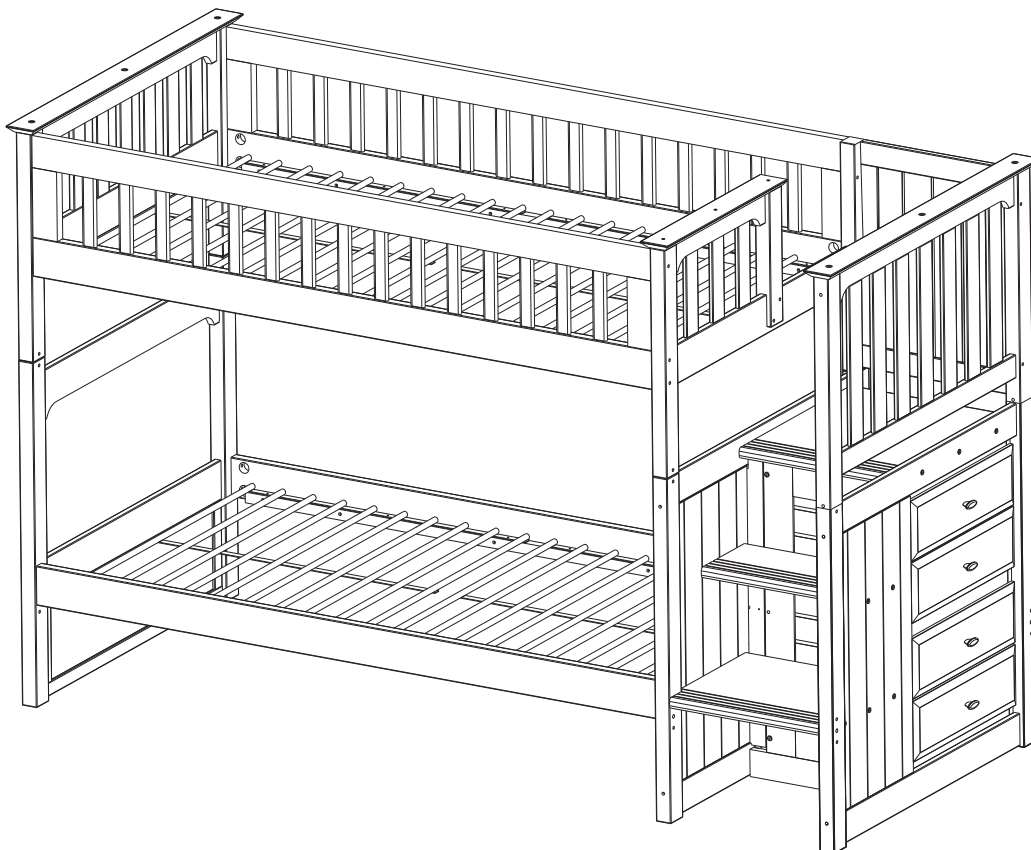


Insert Magazine Rack back in and screw it in place

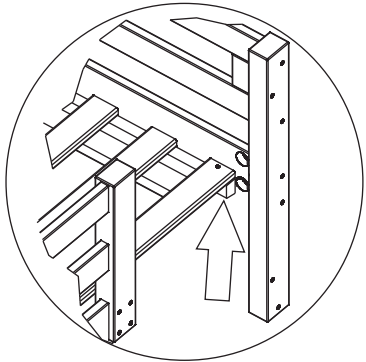


Make sure that the opening is on the right side as shown

Install slat kit



Install slat kit, hardware in slat box



Always start assembling slat kit flush with cleat