



## **SAFETY FIRST !!!!!**

### ***2805/2105 Twin/Full Student Loft Bunk Bed***

All of Discovery's Bunkbeds were designed and manufactured with your child's safety as our top priority. Their unparalleled strength is a bi-product of the safety design. Our bunks meet all compliance with ASTM F 1427-07 "Standard Consumer Safety Specification for Bunk Beds" and Code of Federal Regulations (CFR) 1213 "Safety Standards for Entrapment Hazards in Bunk Beds" and (CFR) 1513 "Requirements for Bunk Beds".

Safety is a cooperative effort between us as the manufacturer, and you as a guardian. Please read and consider the warnings listed below when choosing a mattress and discussing rules of use with your child.

#### **SAFETY WARNINGS**

1. Follow the information on the warnings appearing on the upper bunk end structure and on the carton. Do not remove warning label from bed.
2. Always use the recommended size mattress or mattress support, or both, to help prevent the likelihood of entrapment or falls.
3. Surface of mattress must be at least 5 inches (127 mm) below the upper edge of guardrails.
4. Do not allow children under 6 years of age to use the upper bunk.
5. Prohibit more than one person on the upper bunk.
6. Periodically, check and ensure that the guardrail, ladder, and other components are in their proper position, free from damage, and that all connectors are tight.
7. Do not allow horseplay on or under the bed and prohibit jumping on the bed.
8. Always use the ladder for entering and leaving the upper bunk.
9. Do not use substitute parts. Contact the manufacturer or dealer for replacement parts.
10. Use of a nightlight may provide added safety precaution for a child using the upper bunk.
11. Always use guardrails on both long sides of the upper bunk. If bunk bed will be placed next to the wall, the guardrail that runs the full length of the bed should be placed against the wall to prevent entrapment between the bed and wall.
12. The use of water or sleep flotation mattresses is prohibited.
13. Keep these instructions for future reference.

**STRANGULATION HAZARD**—Never attach or hang items to any part of the bunk bed that are not designed for use with the bed; for example, but not limited to, hooks, belts and jump ropes.

#### **SIZE OF MATTRESS AND FOUNDATION**

**Use only mattress, foundation and deck combined which is 74-75 inches long and 37 ½-38 ½ inches wide on upper bunk.**

**Ensure thickness of mattress and foundation combined does not exceed 9 inches and mattress is at least 5 inches below upper edge of guardrails.**

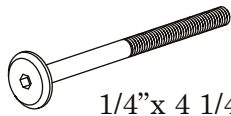


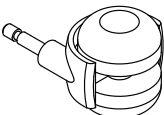
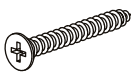
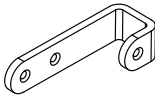
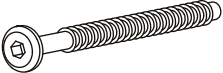
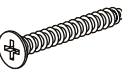



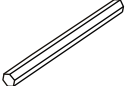



\*\*\*\*\*Replacement parts, including additional guardrails, may be obtained from any Discovery dealer or directly from us at the below address.

915 Cornwall Road  
Sanford, FL 32773

# 2805-2105 Twin/Full Student Loft



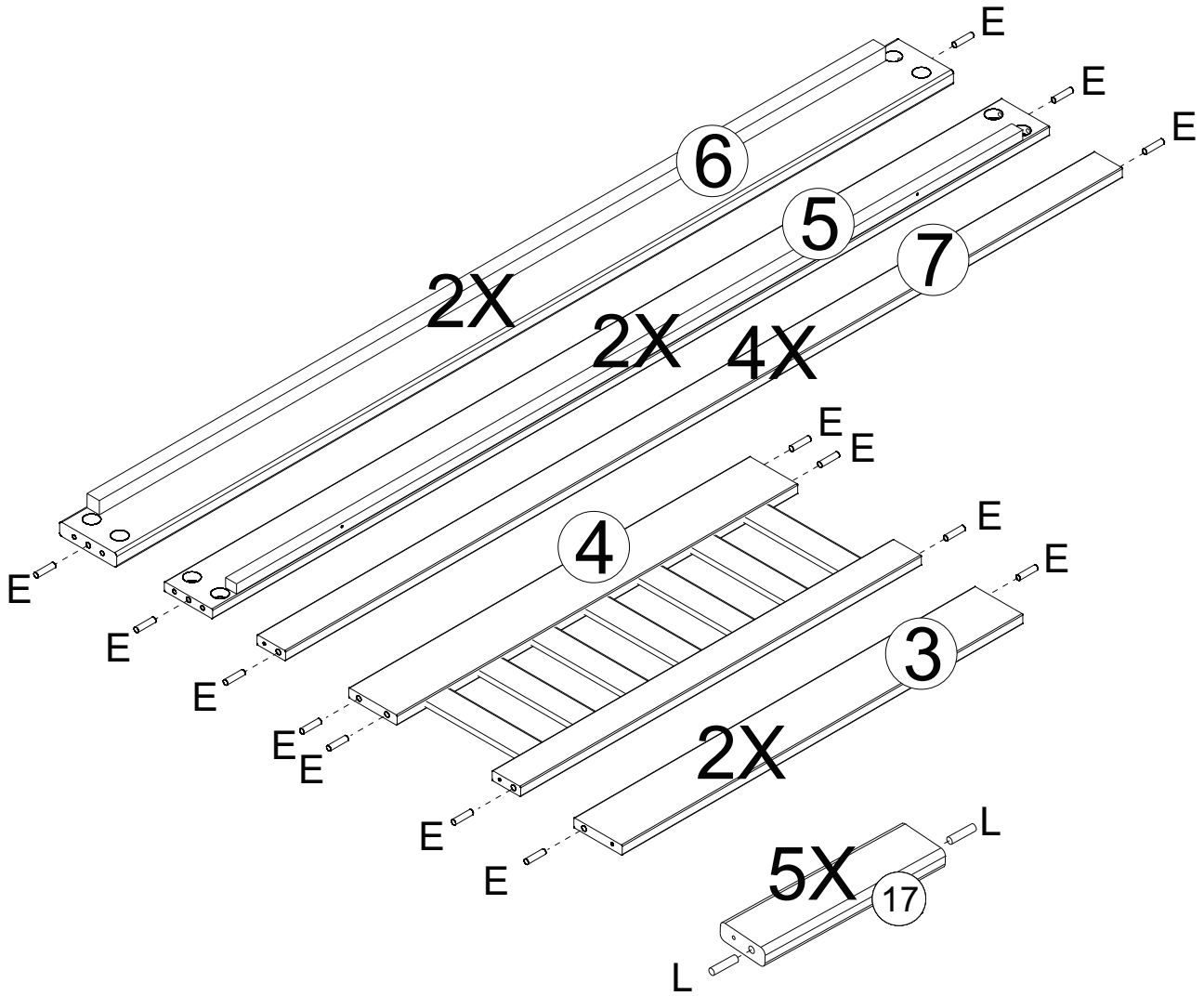
2805 used for this illustration, slat kit may vary.

|          |  |           |          |  |           |
|----------|--|-----------|----------|--|-----------|
| <b>A</b> | <br>1/4" x 4 1/4" | <b>16</b> | <b>H</b> | <br>5/8"          | <b>06</b> |
| <b>B</b> | <br>1/4" x 2 3/8" | <b>10</b> | <b>I</b> |                   | <b>04</b> |
| <b>C</b> | <br>1 9/16"       | <b>02</b> | <b>J</b> |                   | <b>02</b> |
| <b>D</b> | <br>1/4" x 4"     | <b>14</b> | <b>K</b> | <br>1 1/4"        | <b>28</b> |
| <b>E</b> | <br>2"            | <b>26</b> | <b>L</b> | <br>1 9/16"       | <b>10</b> |
| <b>F</b> |                   | <b>16</b> | <b>M</b> |                   | <b>01</b> |
| <b>G</b> |                   | <b>01</b> | <b>N</b> |                   | <b>08</b> |
|          |  |           | <b>O</b> | <br>1/4" x 1 1/2" | <b>02</b> |

## Replacement Parts & Limited Lifetime Warranty

Discovery World Furniture will replace any component part free of charge for 1 full year via UPS freight collect. In addition, Discovery World Furniture will replace any component part for 50% of the then prevailing retail price plus freight for the lifetime of the product, unless the product has been discontinued from our line. For service, mail your request to: Discovery World Furniture 915 Cornwall Rd, Sanford, FL 32773.

Website [www.discoveryworldfurniture.com](http://www.discoveryworldfurniture.com)

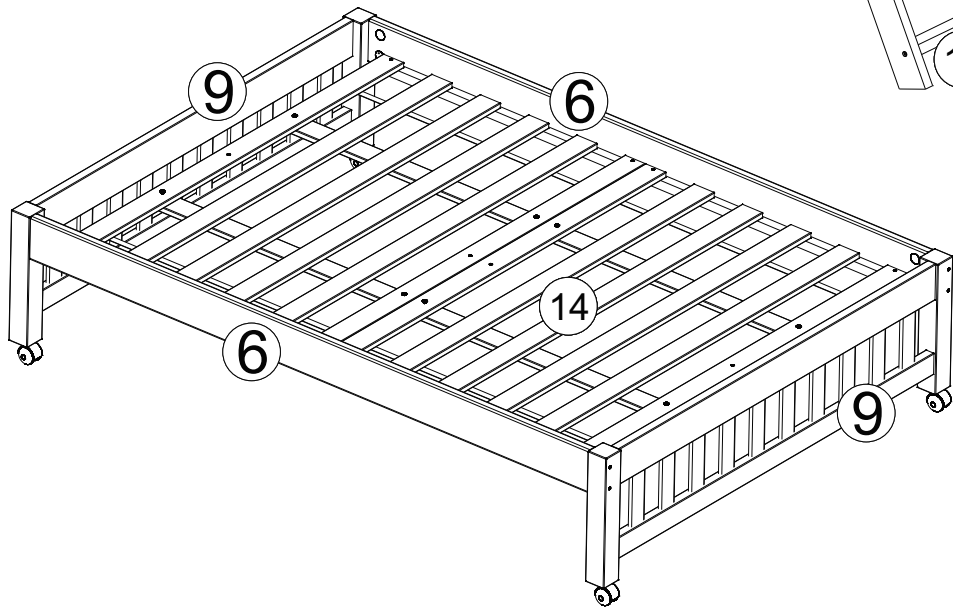
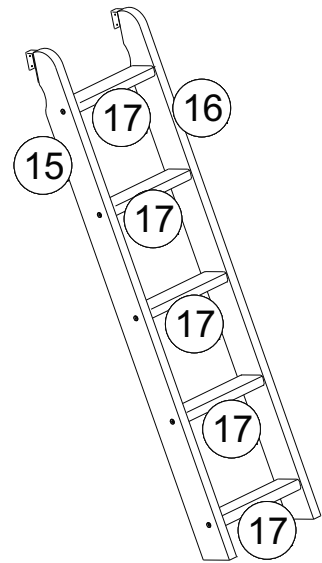
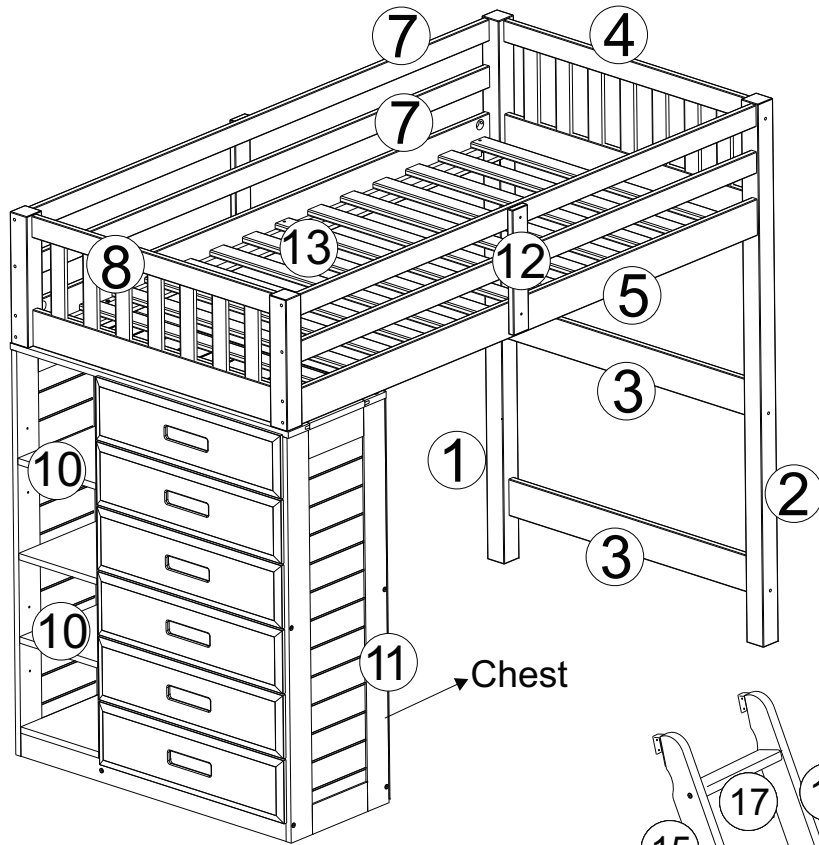


**! WARNING**

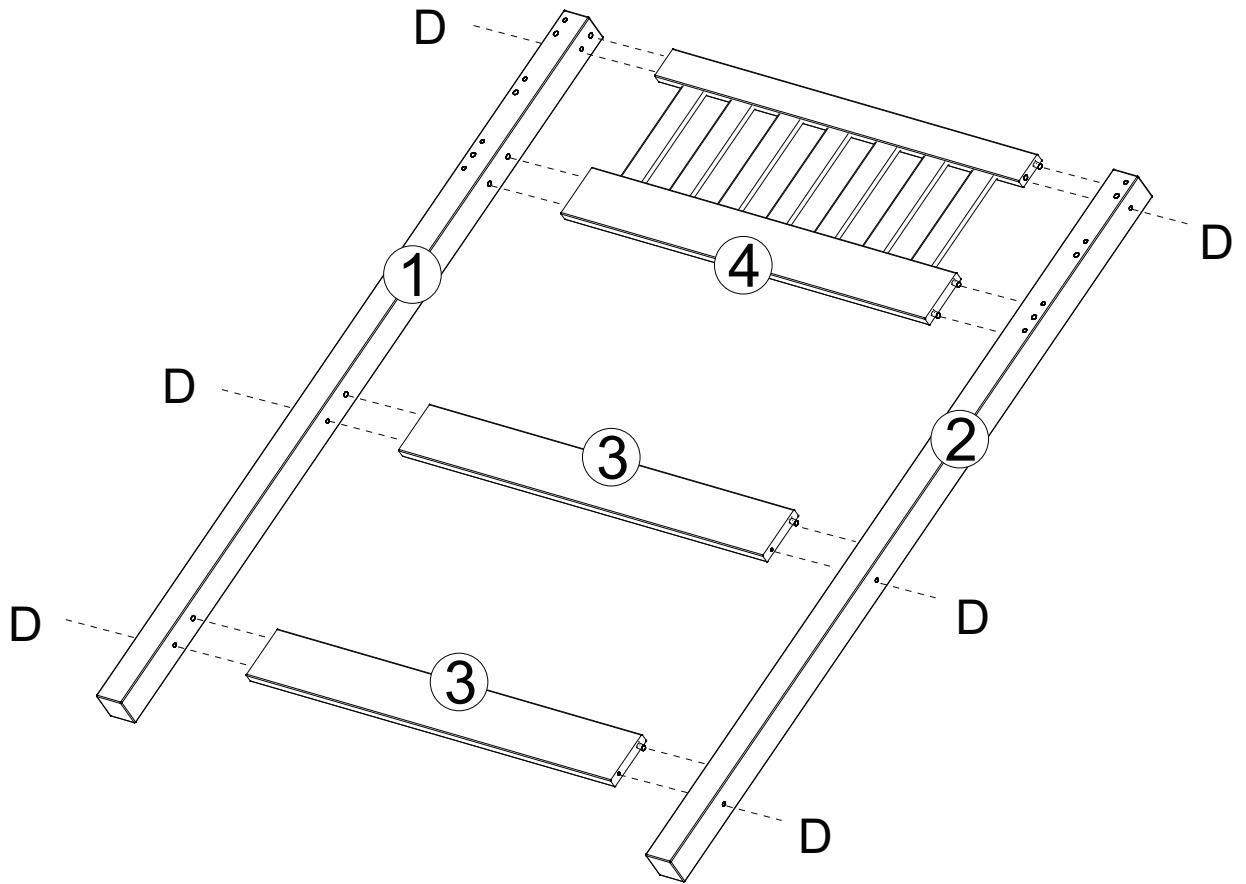
To help prevent serious or fatal injuries from entrapment or falls:

- Never allow a child under 6 years on upper bunk.
- Use only mattress which is 74"-75" long and 37 ½"- 38 ½" wide on upper bunk.
- Ensure thickness of mattress and foundation combined does not exceed 9" and surface of mattress is at least 5" below upper edge of guardrails
- Strangulation hazard - Never attach or hang items to any part of the bunk bed that are not designed for use with the bed; for example, but not limited to, hooks, belts, and jump ropes.
- Use guardrails on both sides of upper bunk.
- Prohibit horseplay on or under bed(s).
- Prohibit more than one person on upper bunk.
- Use ladder for entering and leaving upper bunk.

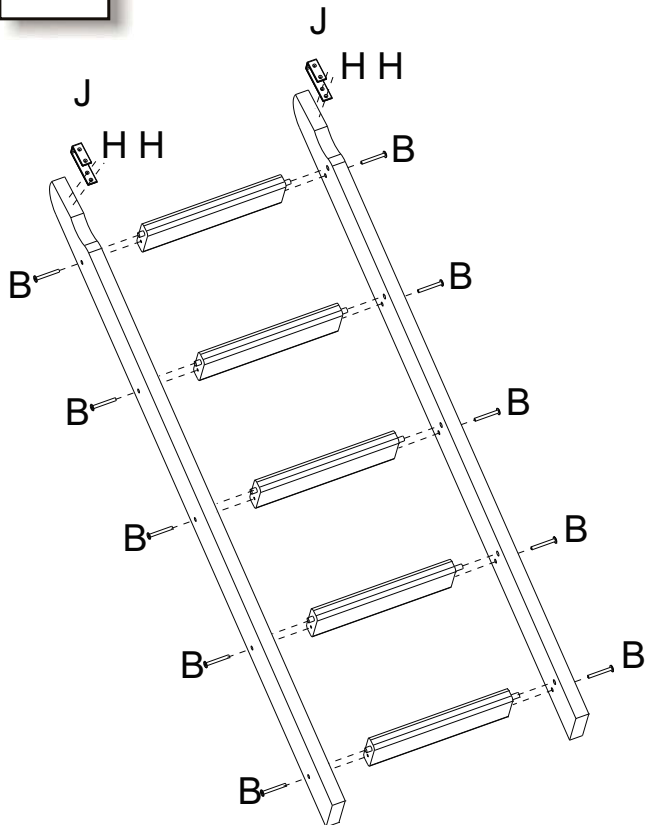
**DO NOT REMOVE THIS LABEL**



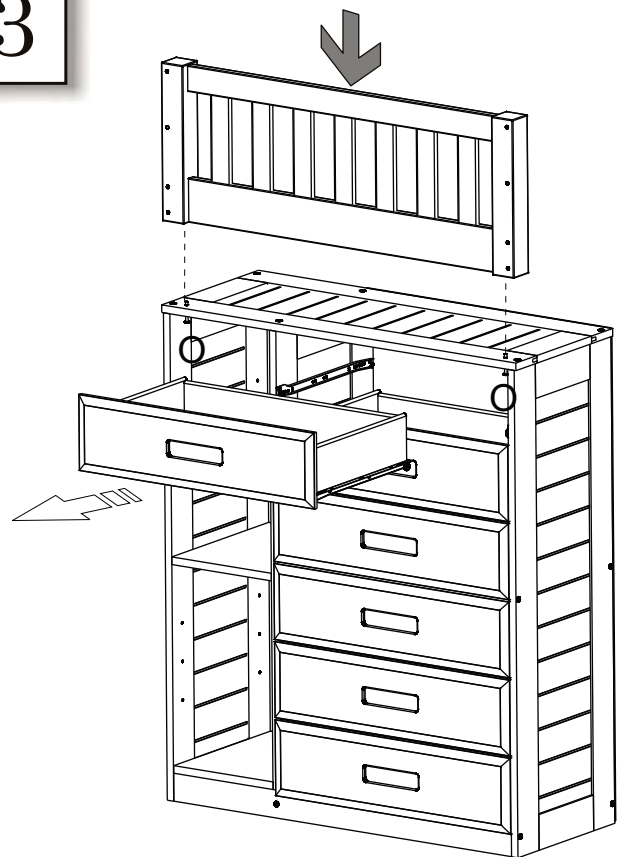
1



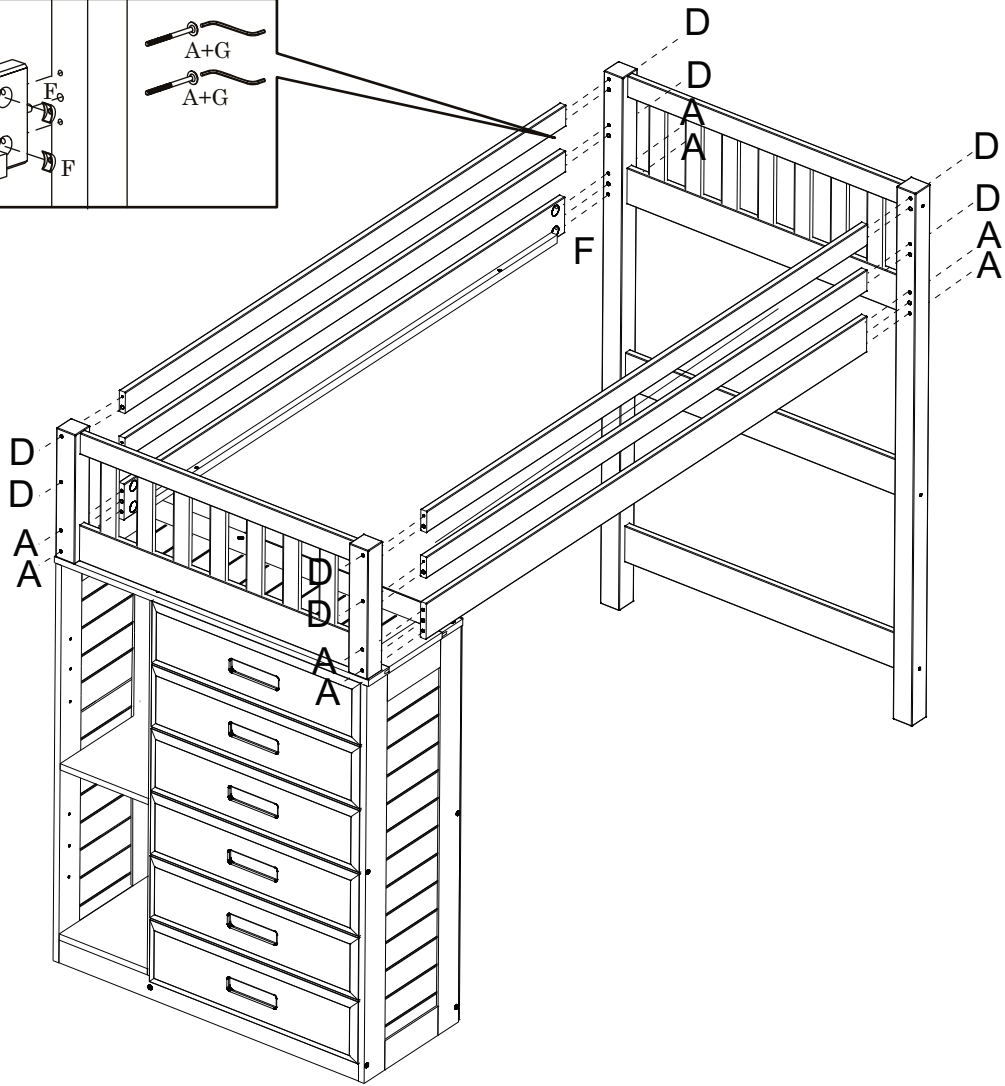
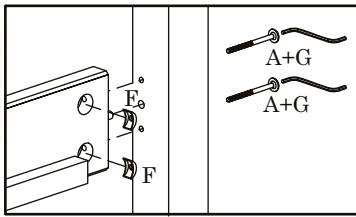
2



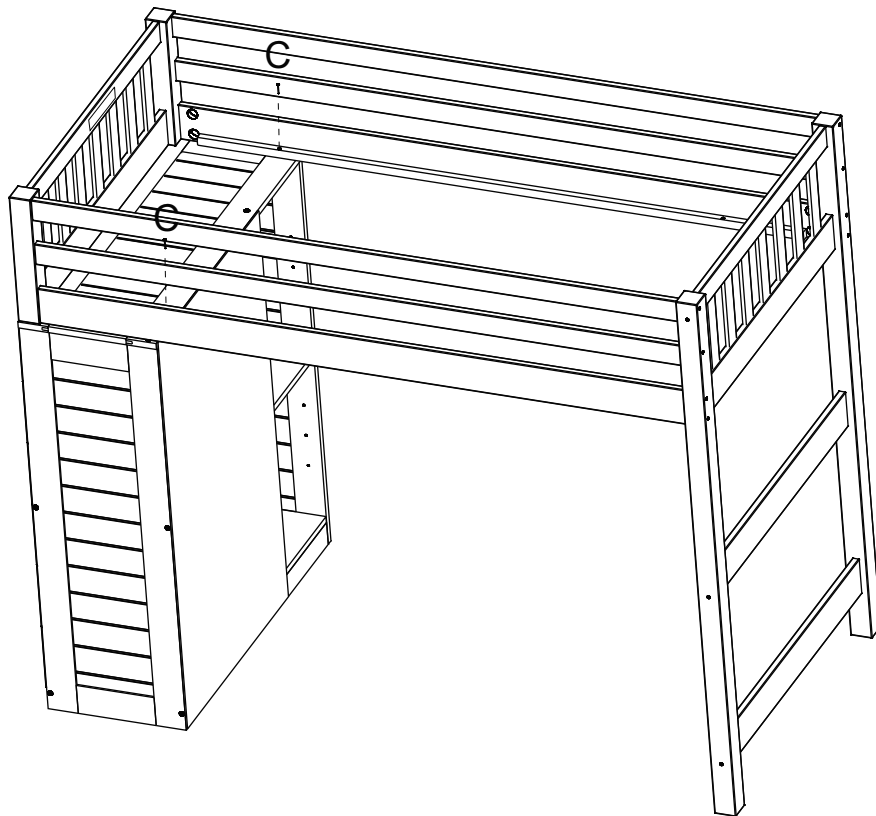
3



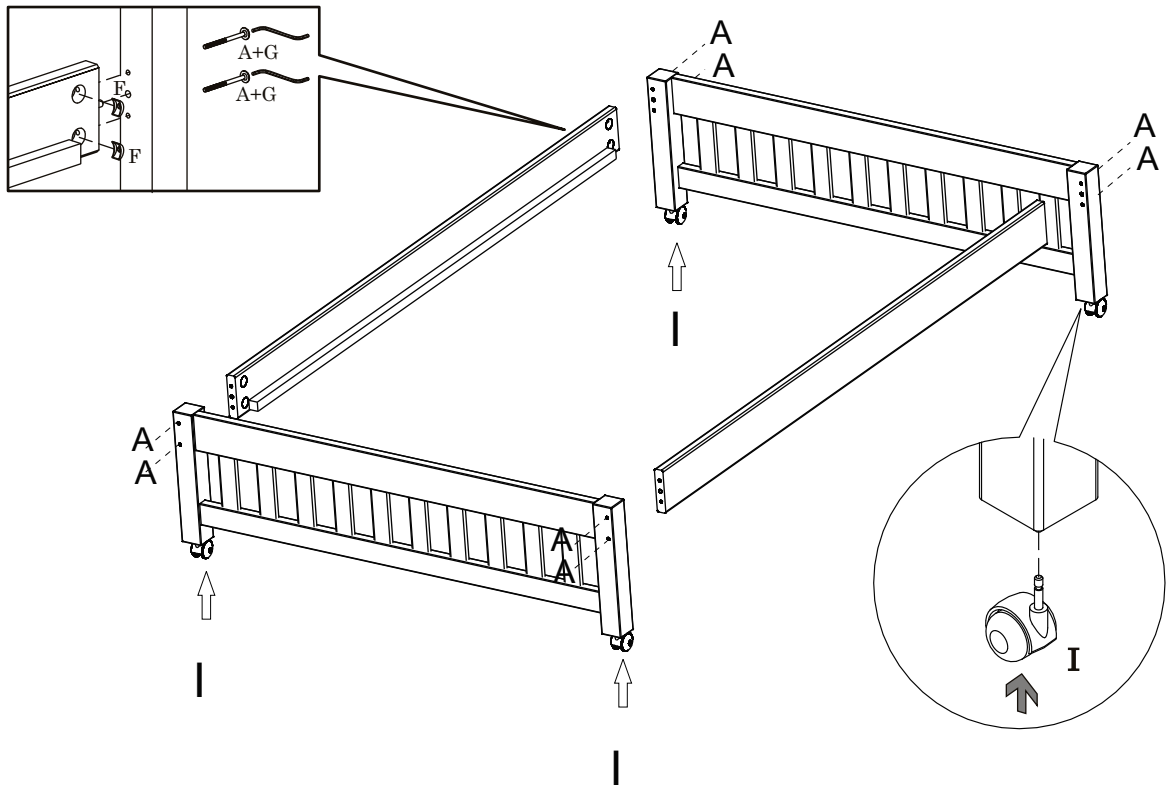
4



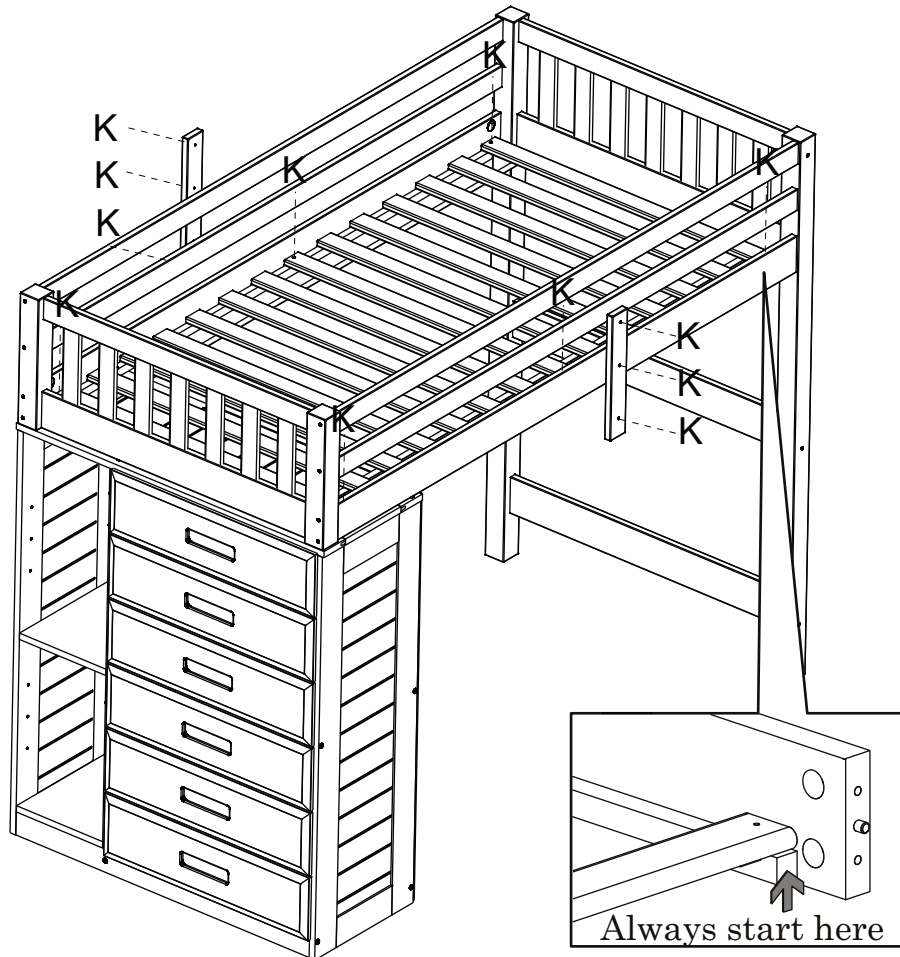
5



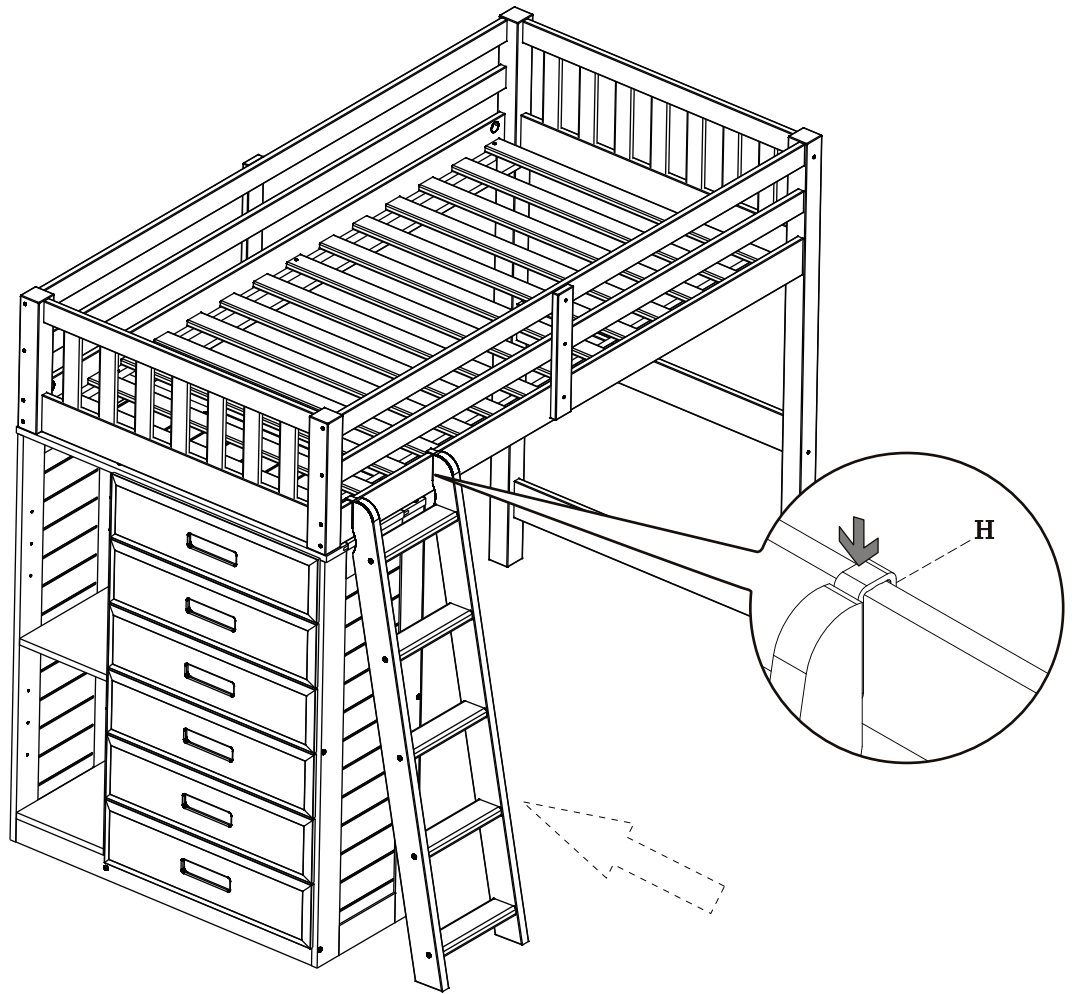
6



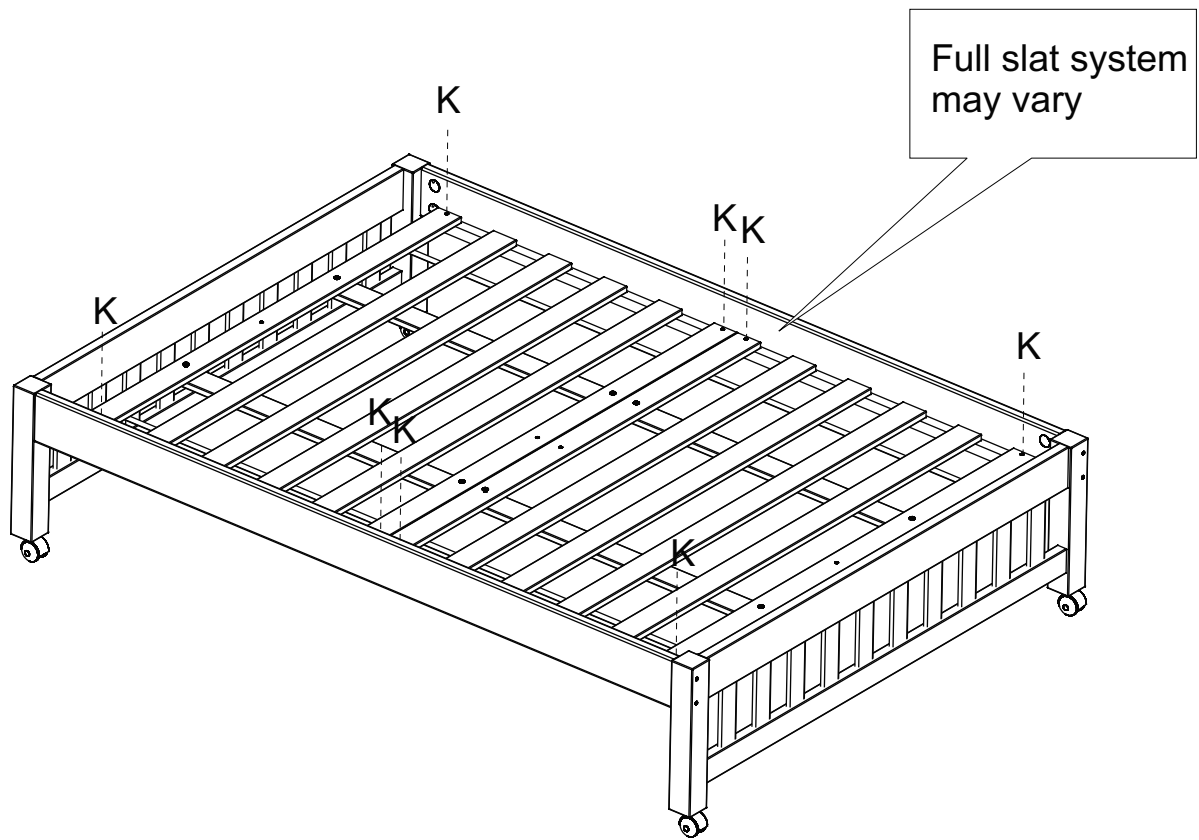
7



8



9





10



11

