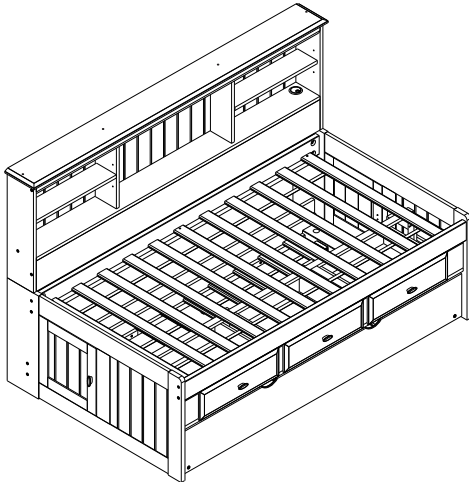
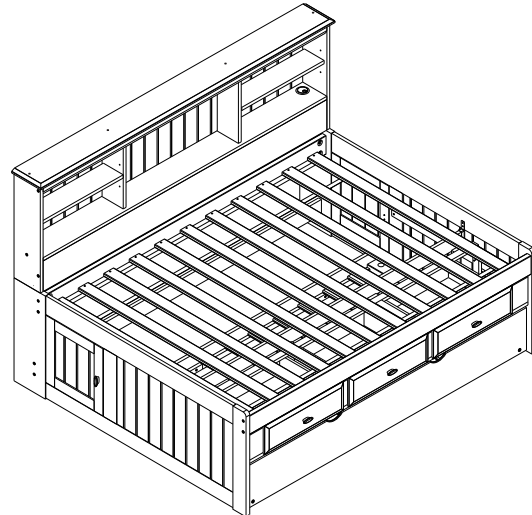




83222 (Twin) Charcoal



83223 (Full) Charcoal

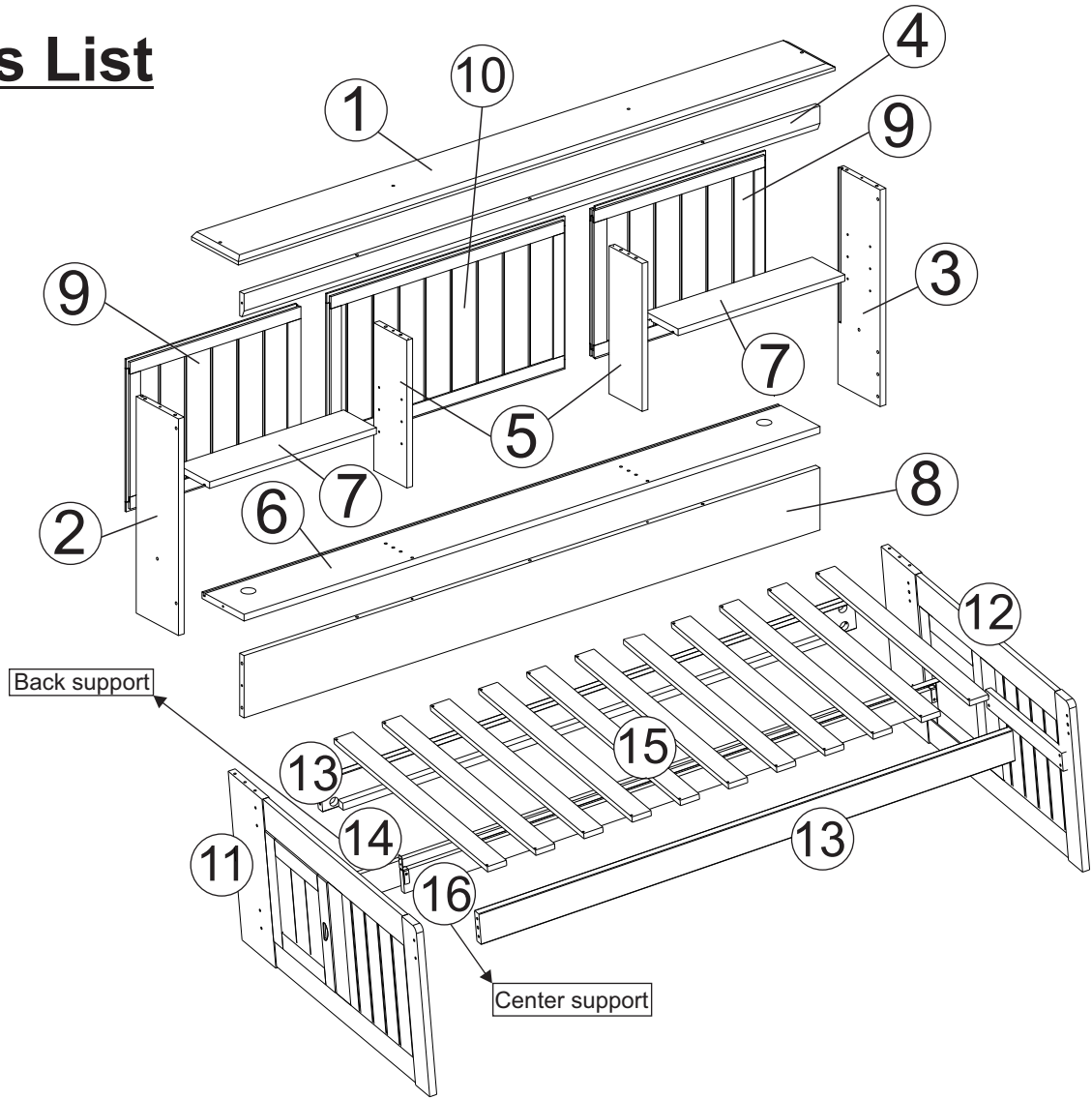


			<u>Tools required</u>					
A	1/4" x 2 3/4"	08	Allen wrench (Included) Screw driver (not included)			F		02
B	2 1/2"	18	K		02	G		01
C	1/2"	20	L		04	H		08
D	1 1/2" x 8mm	06	M		02	I	1 1/4"	06
E	1 1/2" x 10mm	06	N	1 1/8" x 8mm	22	J		08
			O	Allen bit	01			
			P		02			

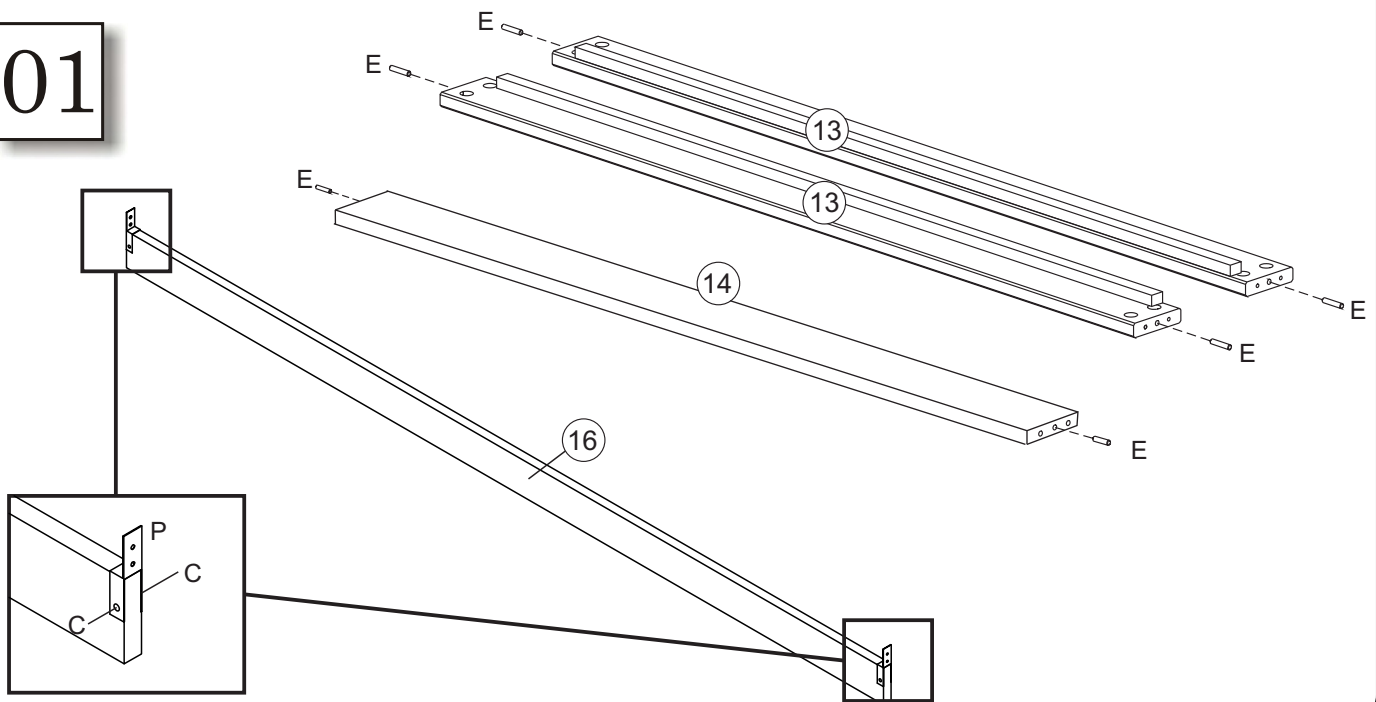
Replacement Parts & Limited Lifetime Warranty

Discovery World Furniture will replace any component part free of charge for 1 full year via UPS freight collect. In addition, Discovery World Furniture will replace any component part for 50% of the then prevailing retail price plus freight for the lifetime of the product, unless the product has been discontinued from our line. For service, mail your request to: Discovery World Furniture 2963 Stonewall Place, Sanford, FL 32773.
Website www.discoveryworldfurniture.com

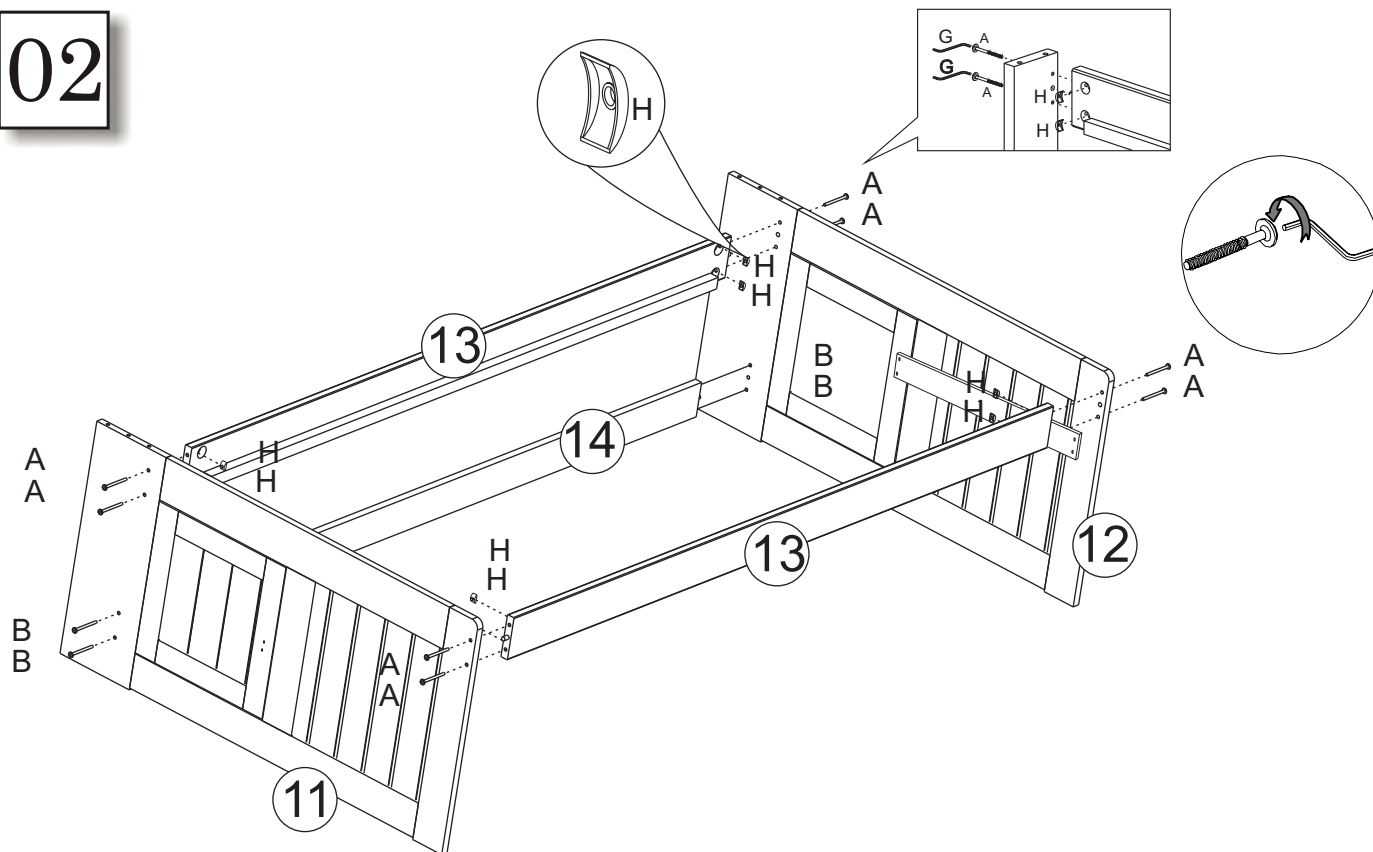
Parts List



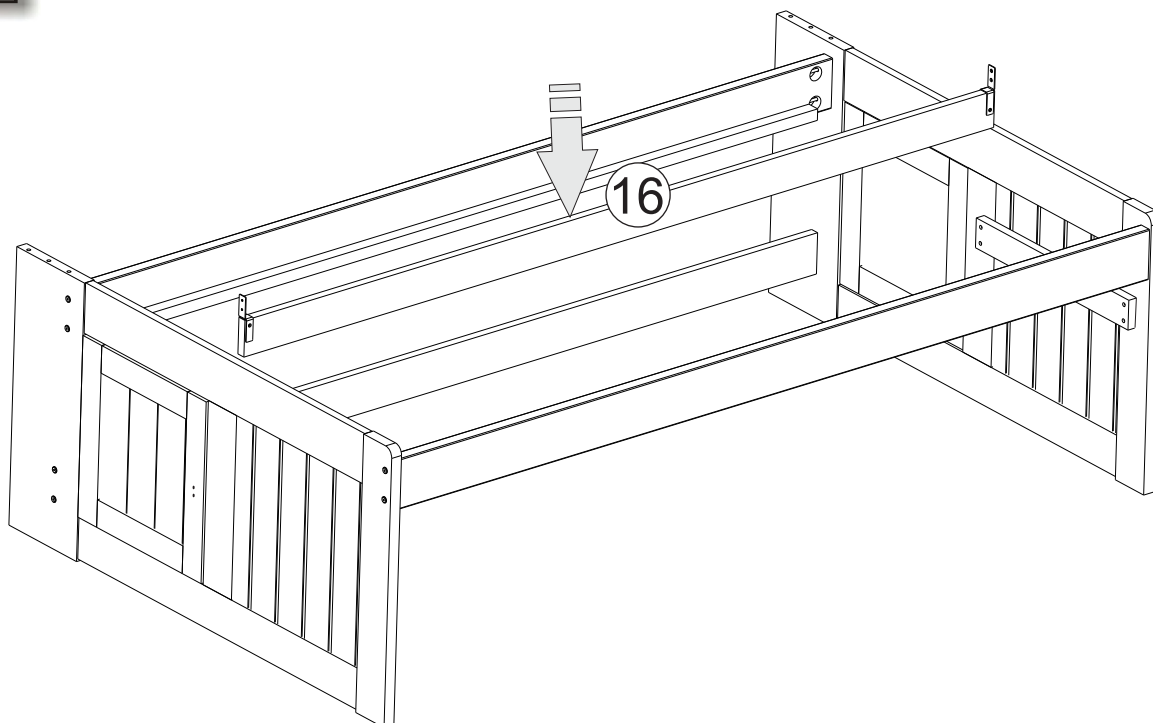
01



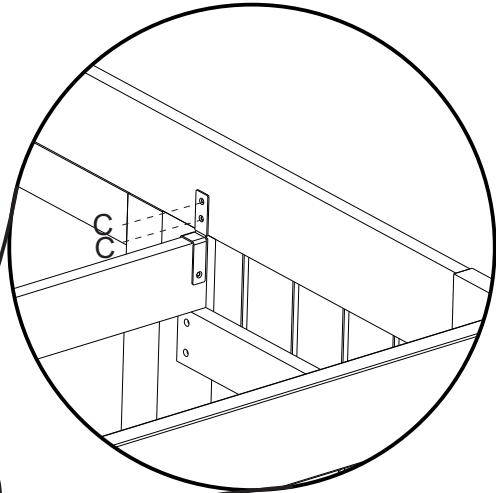
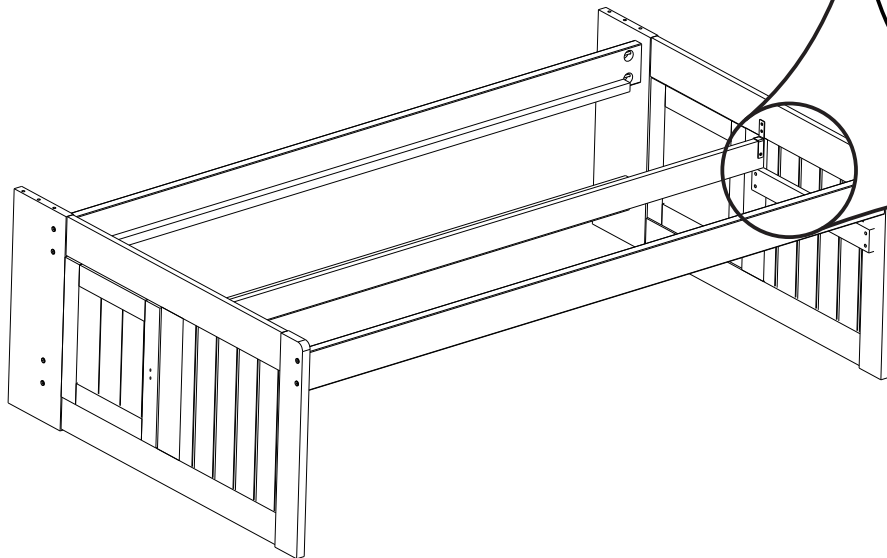
02



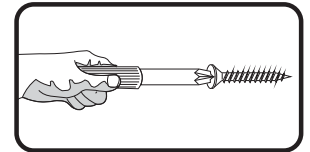
03



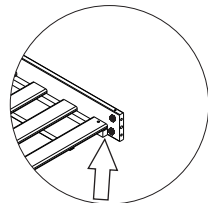
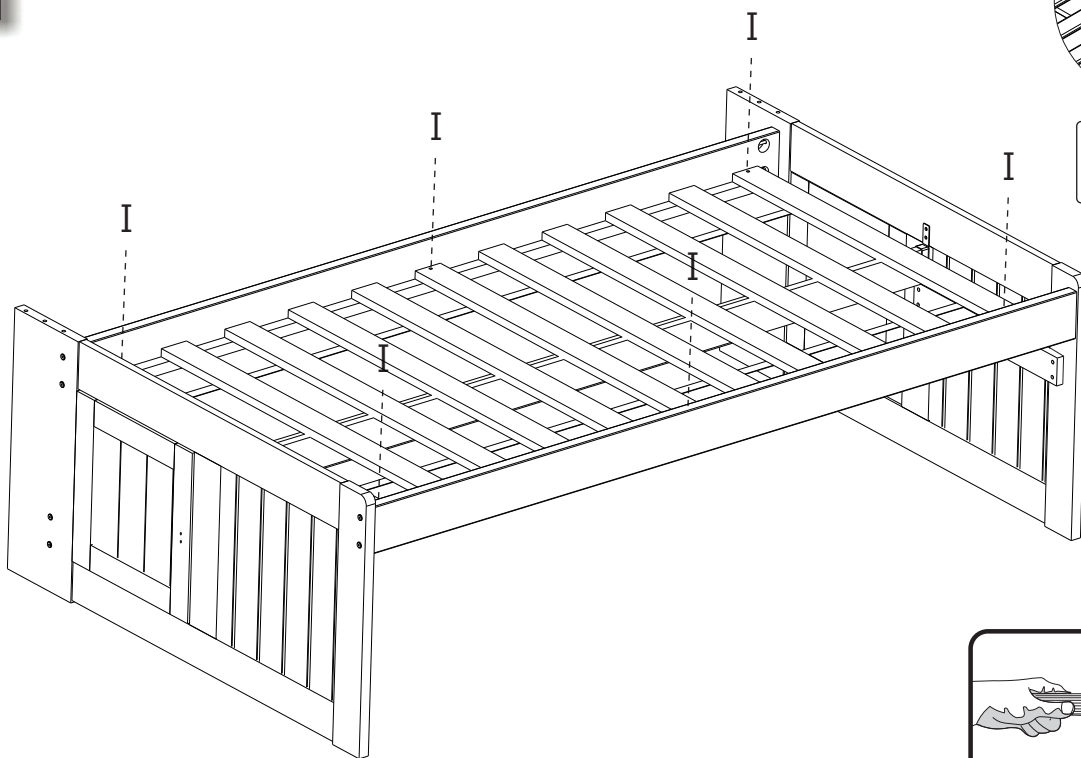
04



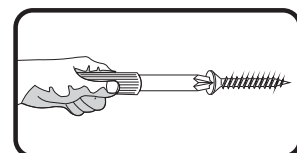
Repeat on both sides



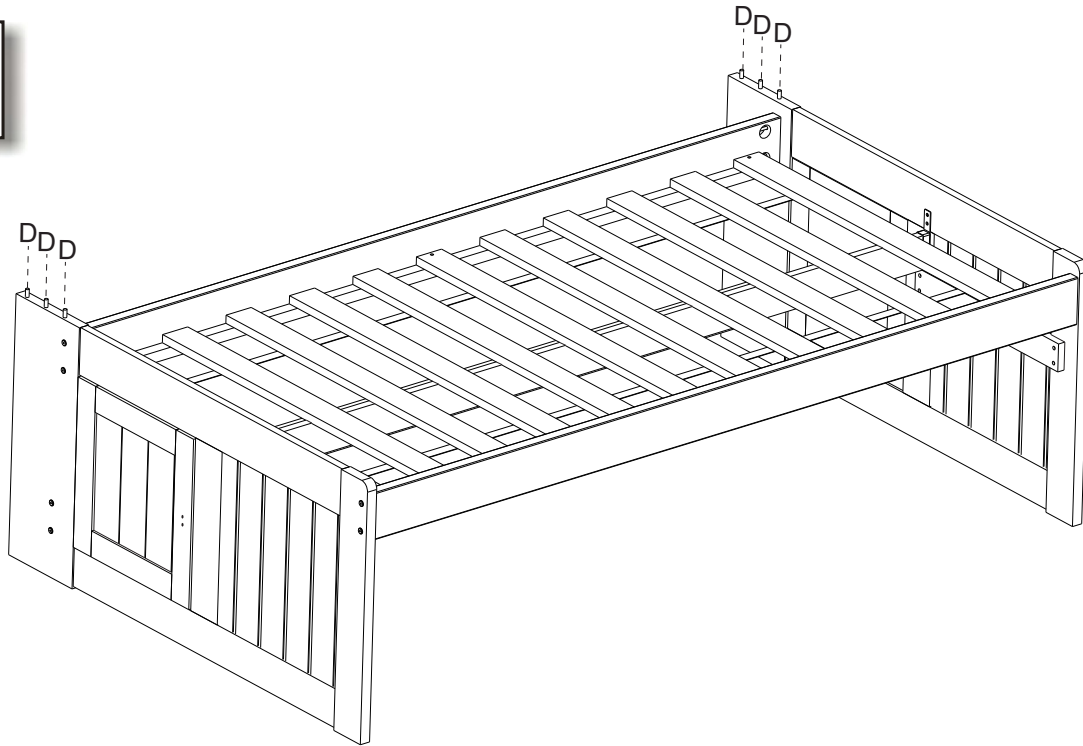
05



Always start assembling slat kit flush with cleat

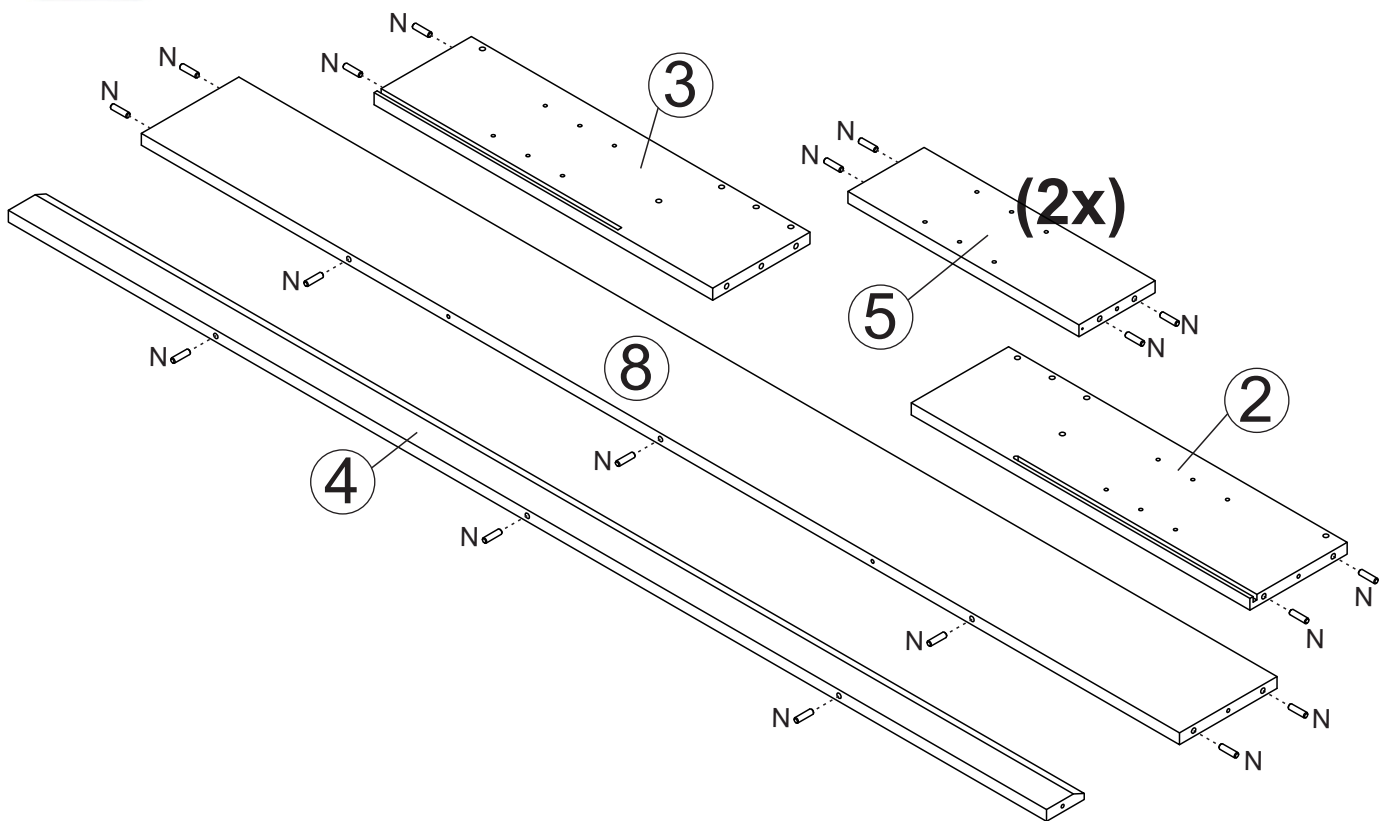


06

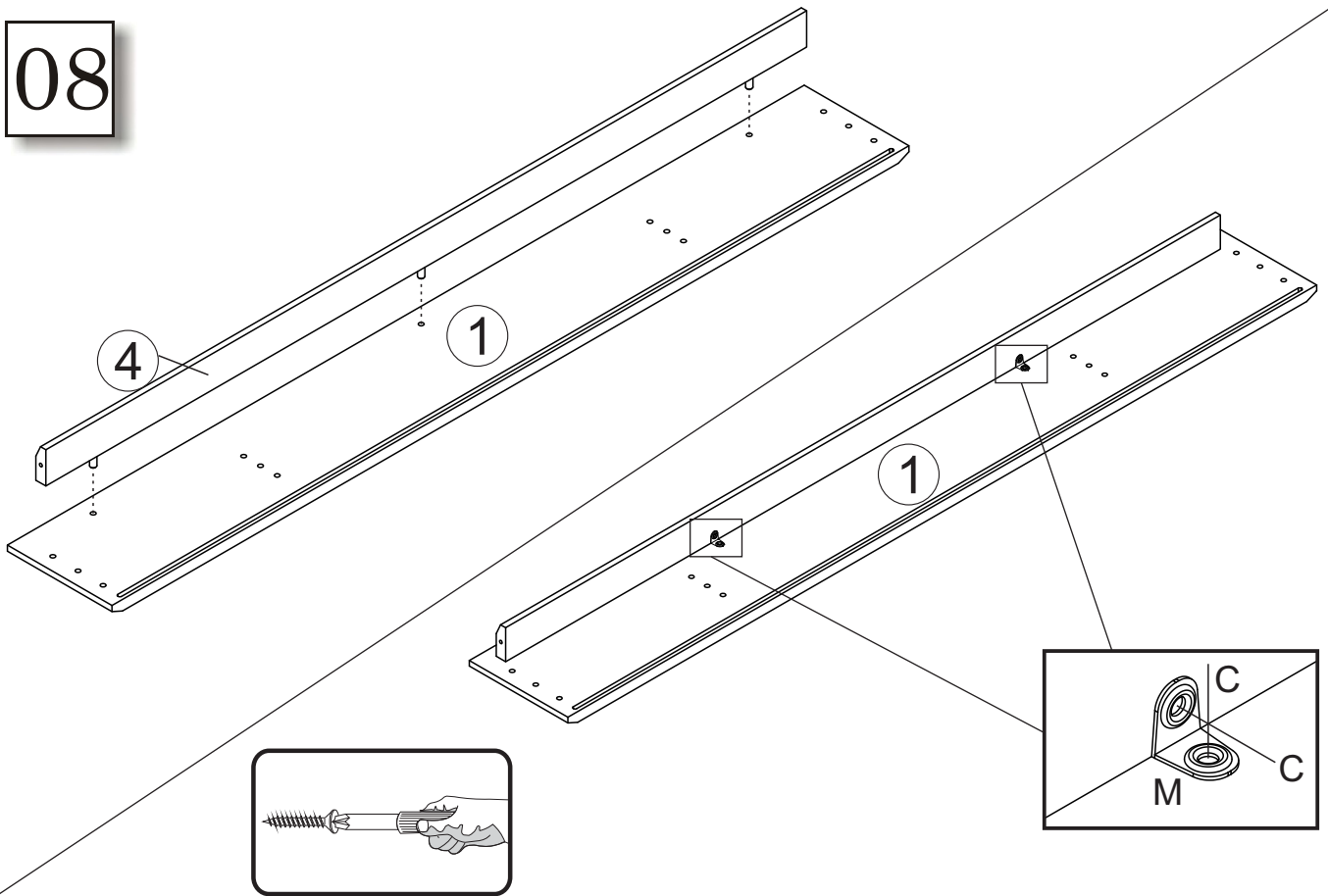


07

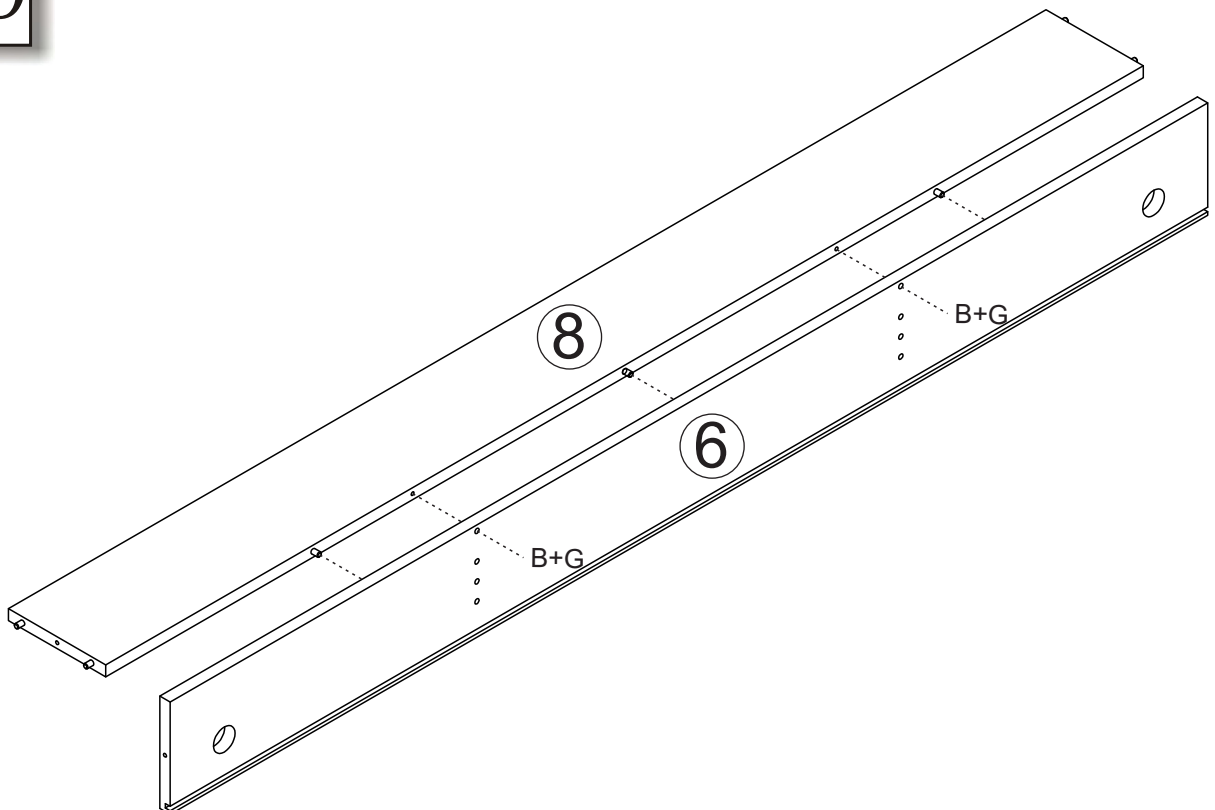
Assemble Headboard



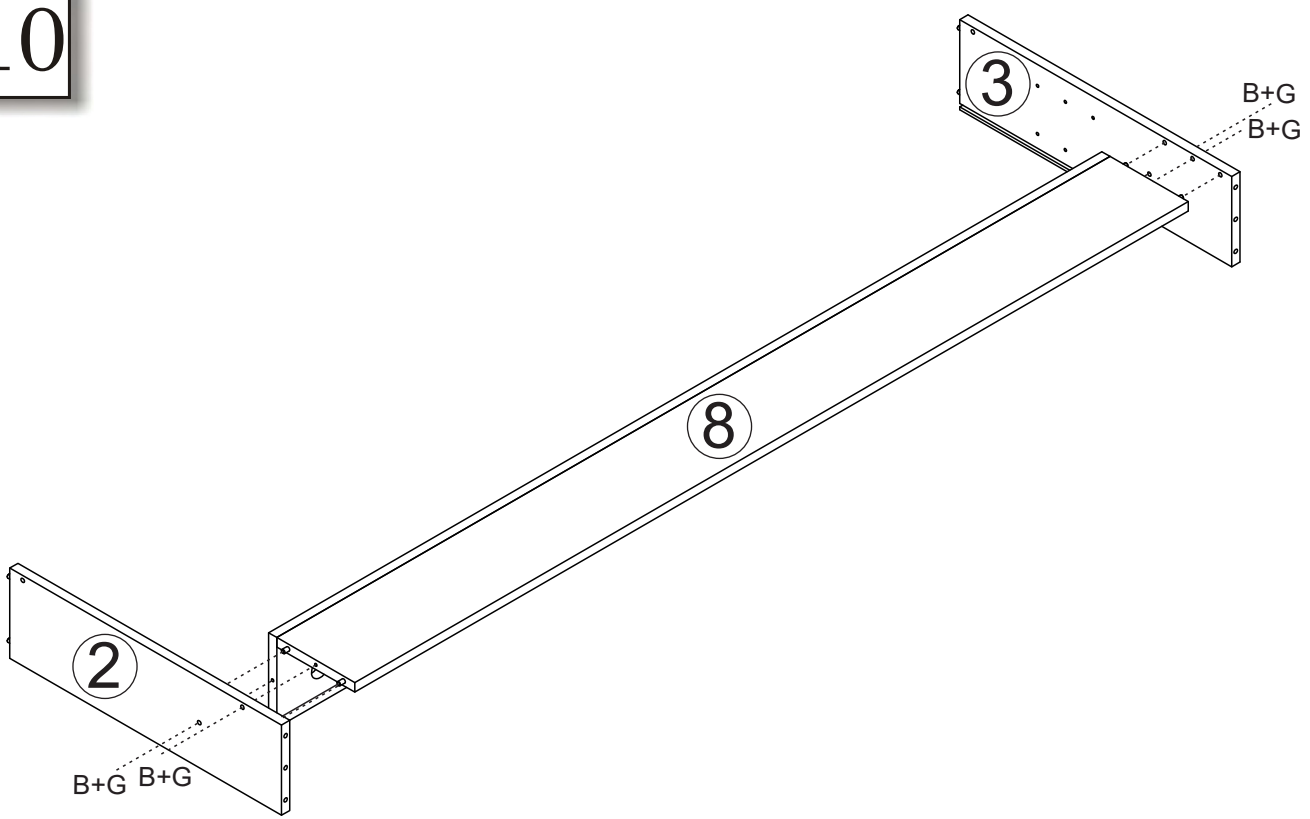
08



09

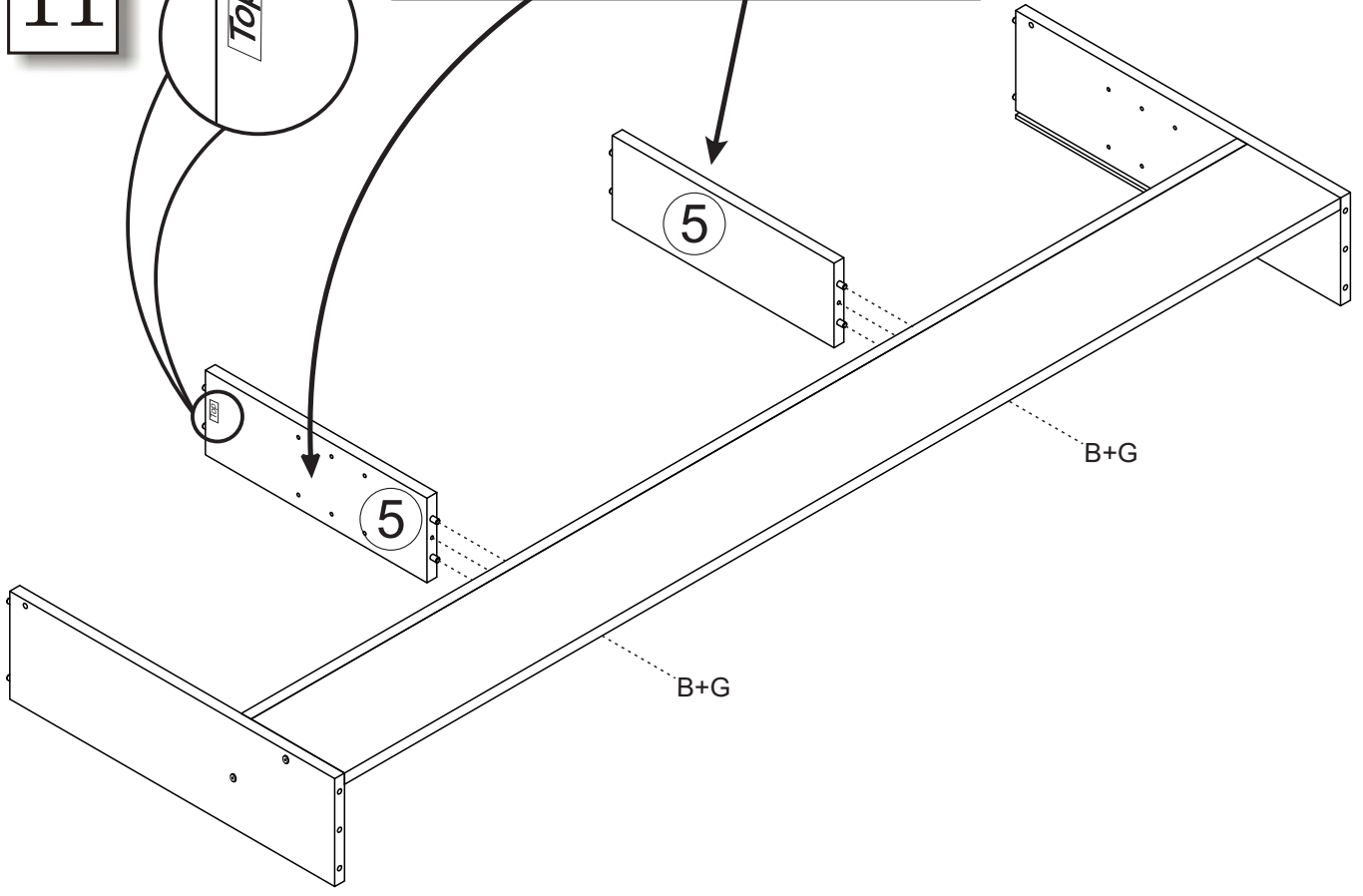
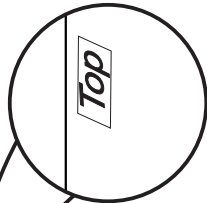


10

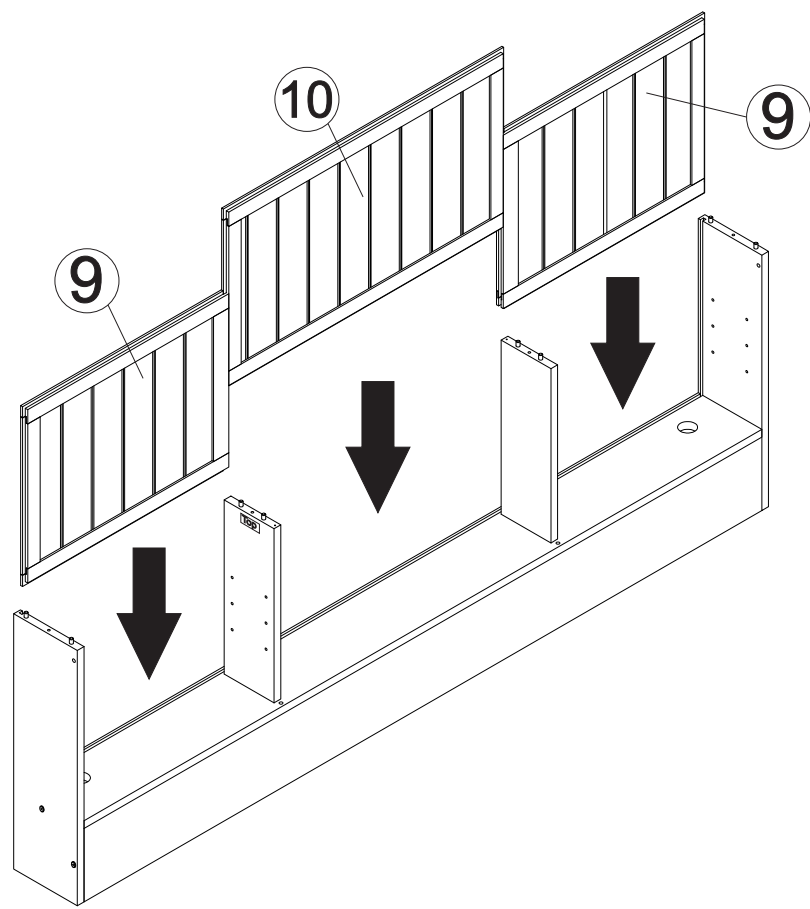


11

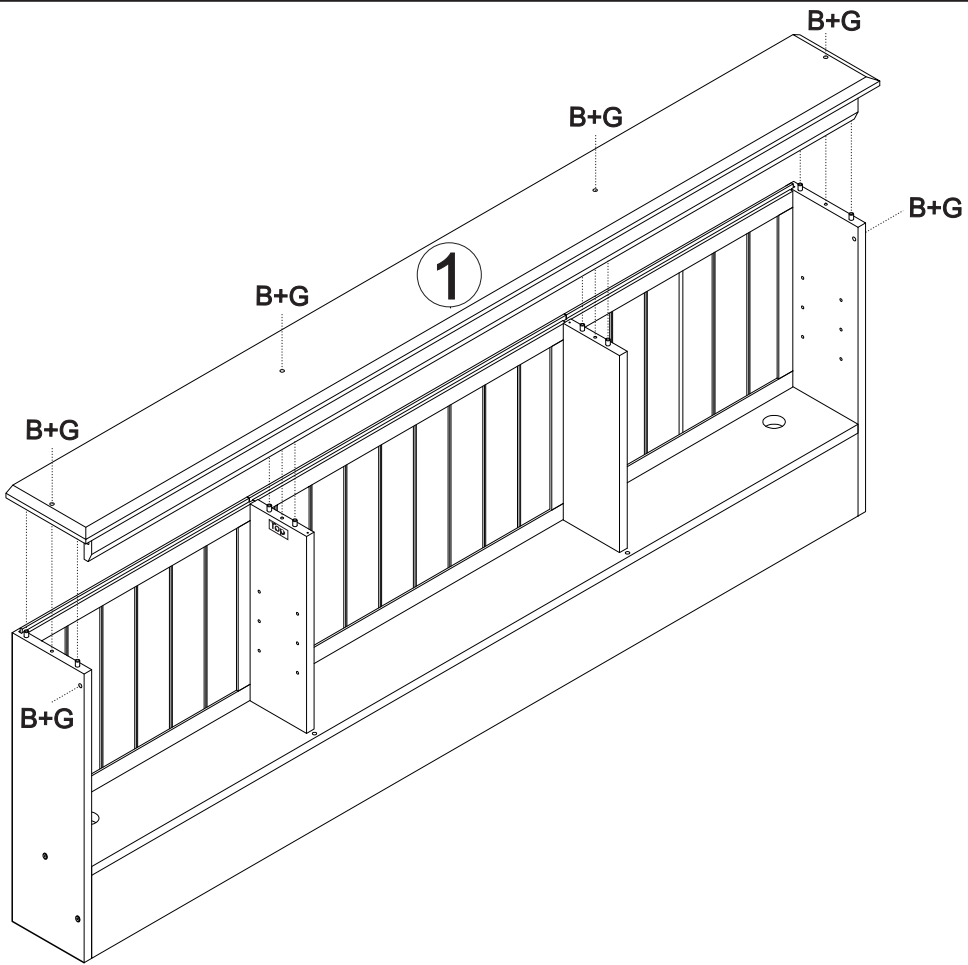
Make sure that the shelf holes are facing to the outside.



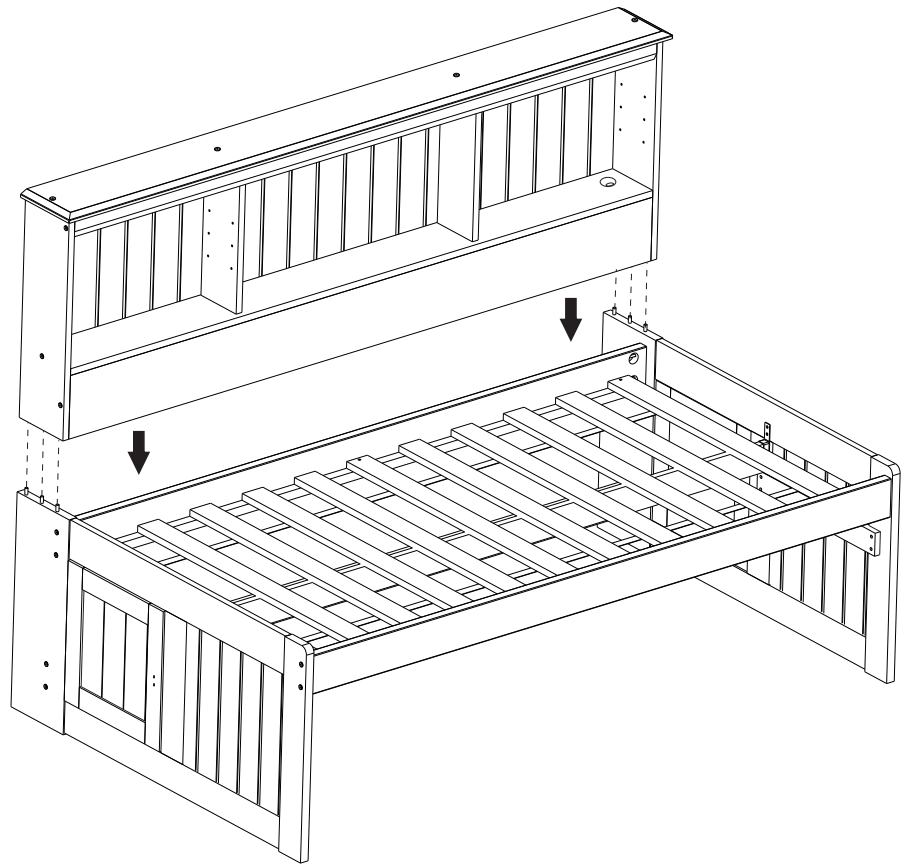
12



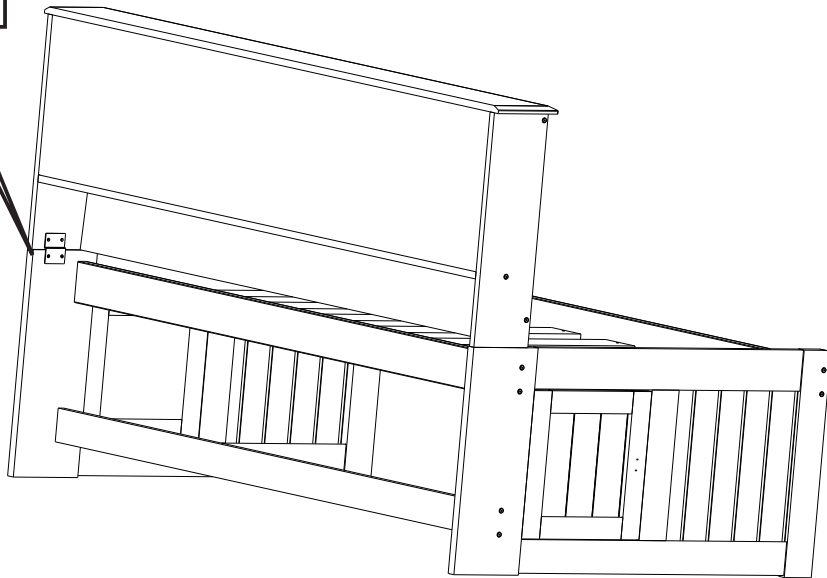
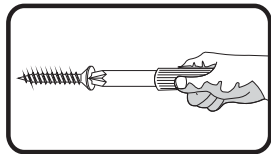
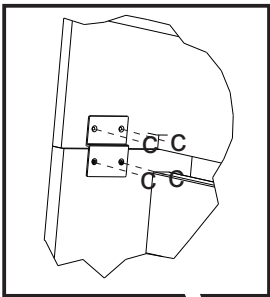
13



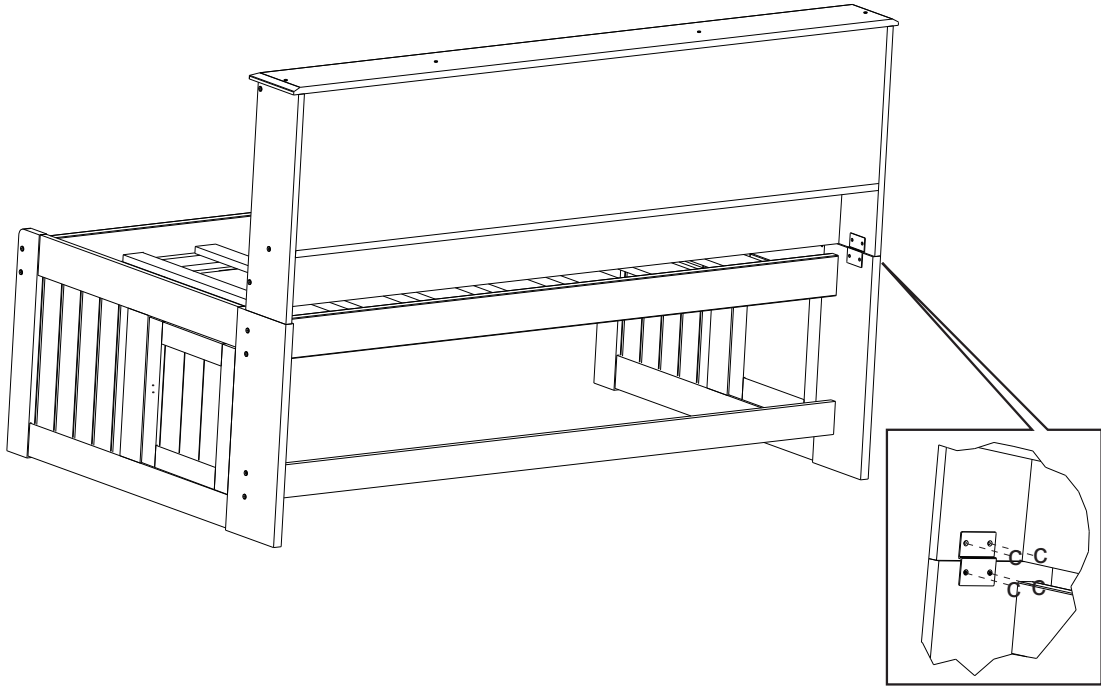
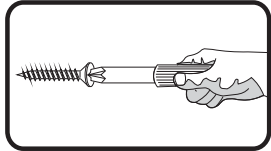
14



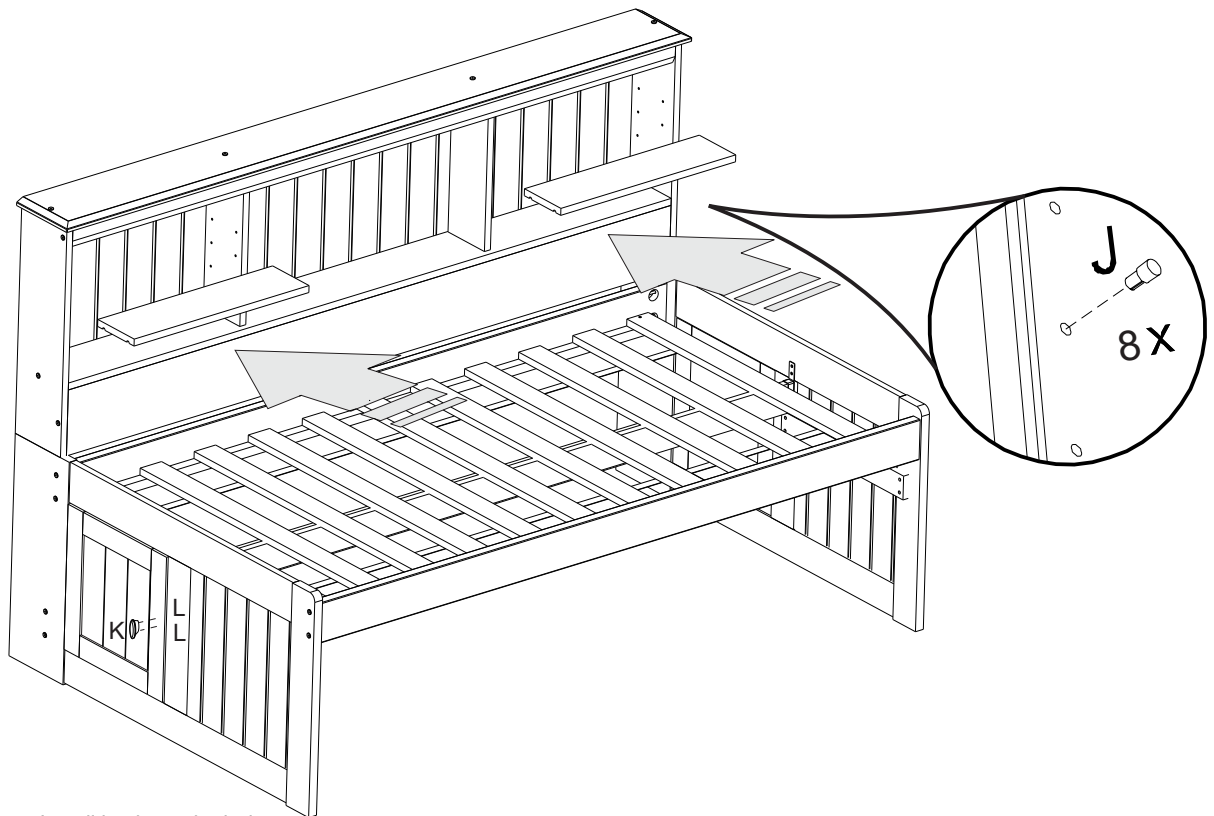
15



16

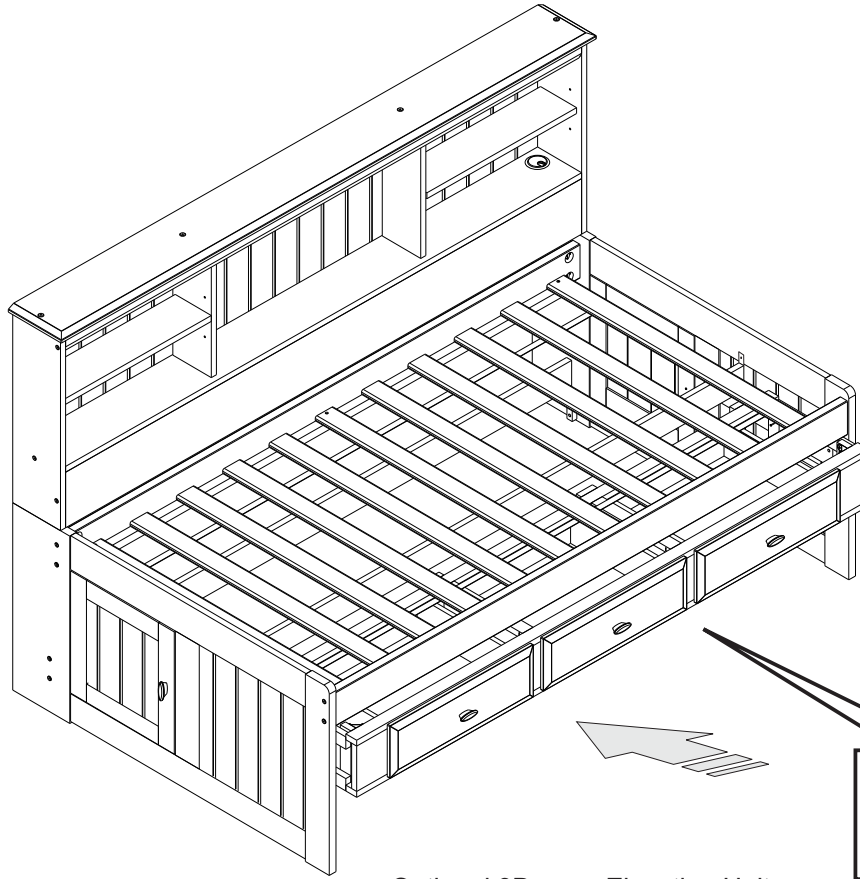


17



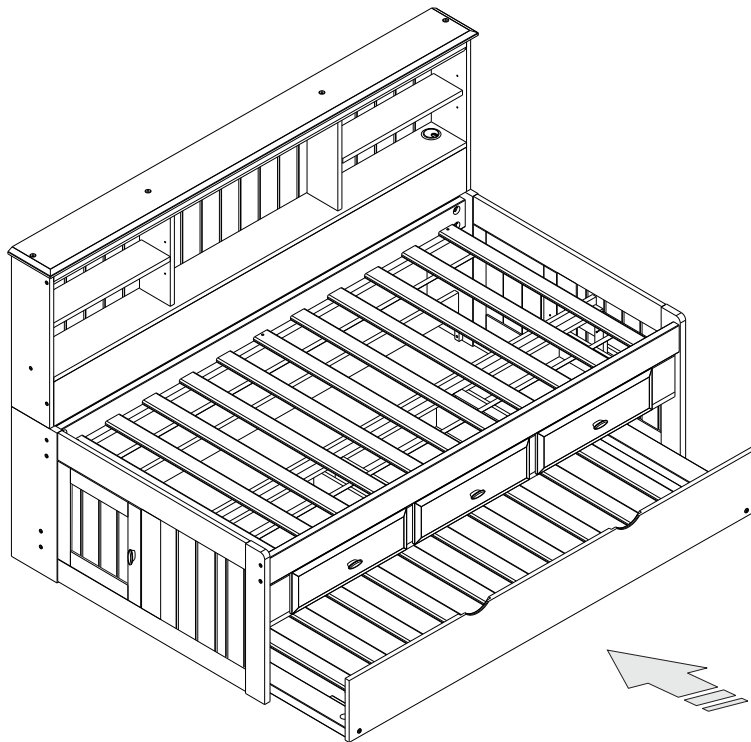
Install knobs on both doors

18



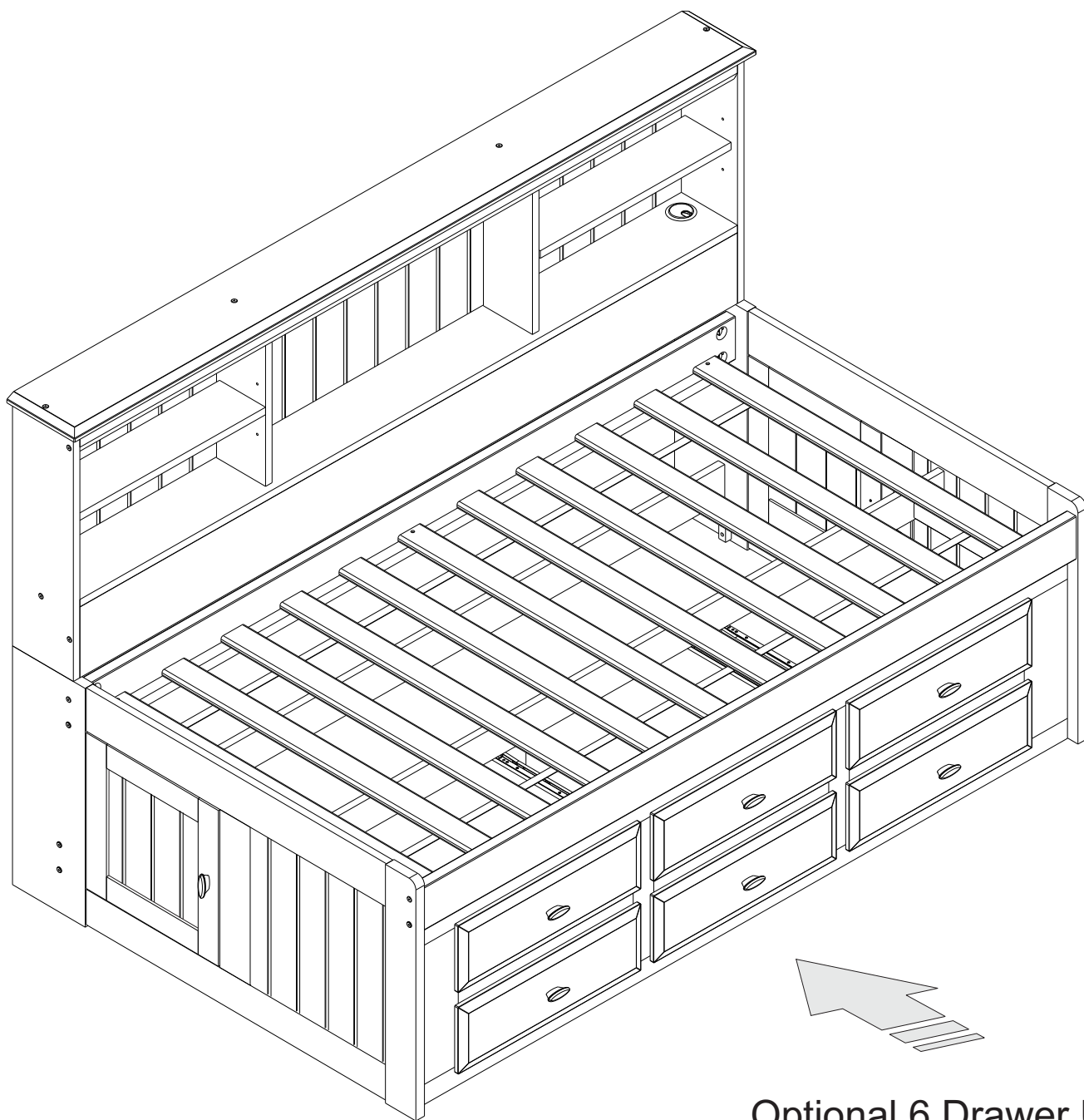
Optional 3Drawer Elevation Unit

19



Optional Trundle

20



Optional 6 Drawer Unit