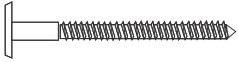
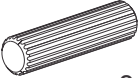
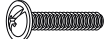


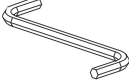
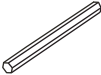




82155 5 Drawer Chest



Tool required (Not included)
Phillips screw driver

A	 7,0x50mm	08
B	 8x30mm	16
C	 M4x25mm	40
E		06
F	 3,5x16mm	12
G		01
H	 Allen bit	01

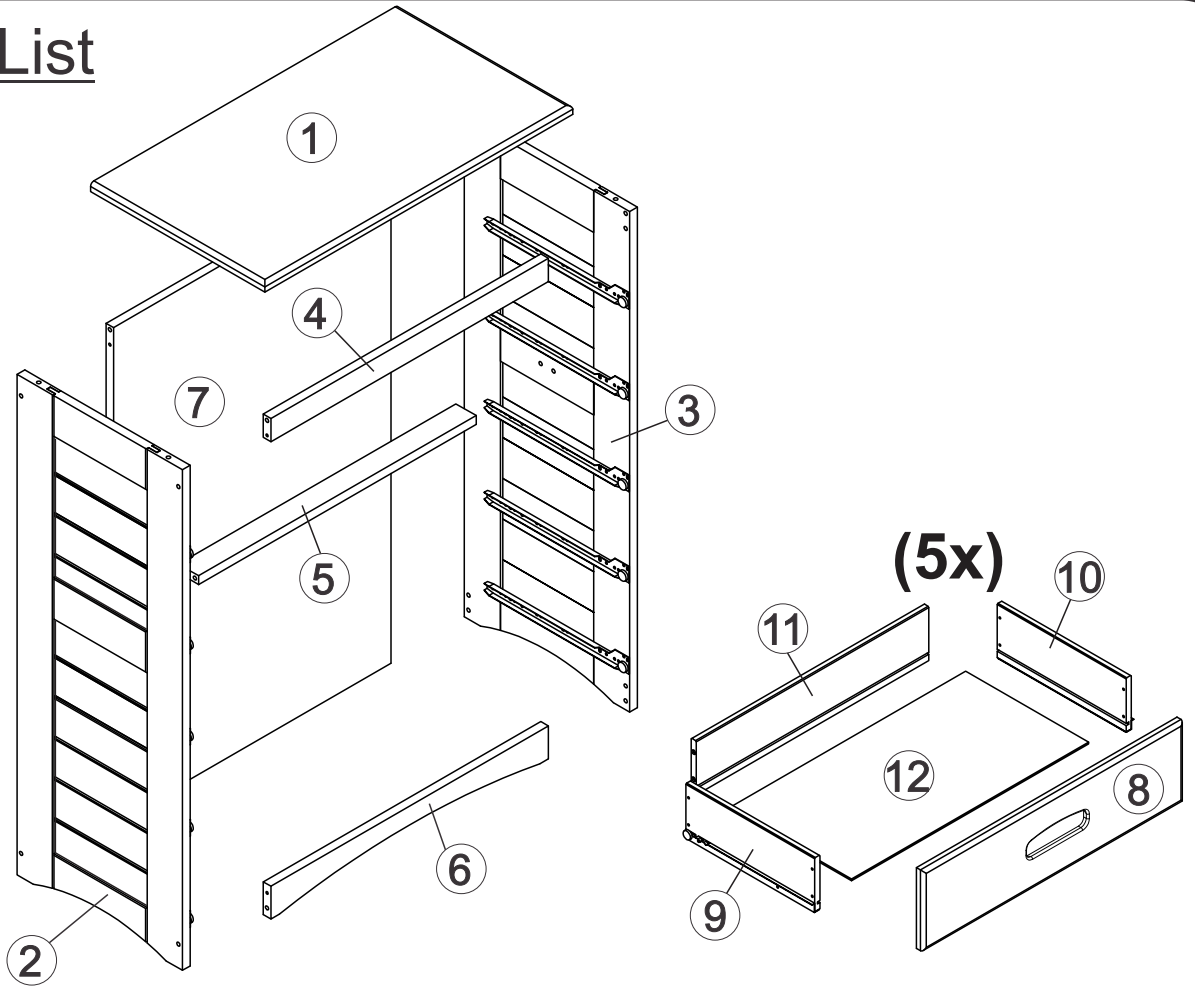
WARRANTY

Replacement Parts & Limited Lifetime Warranty

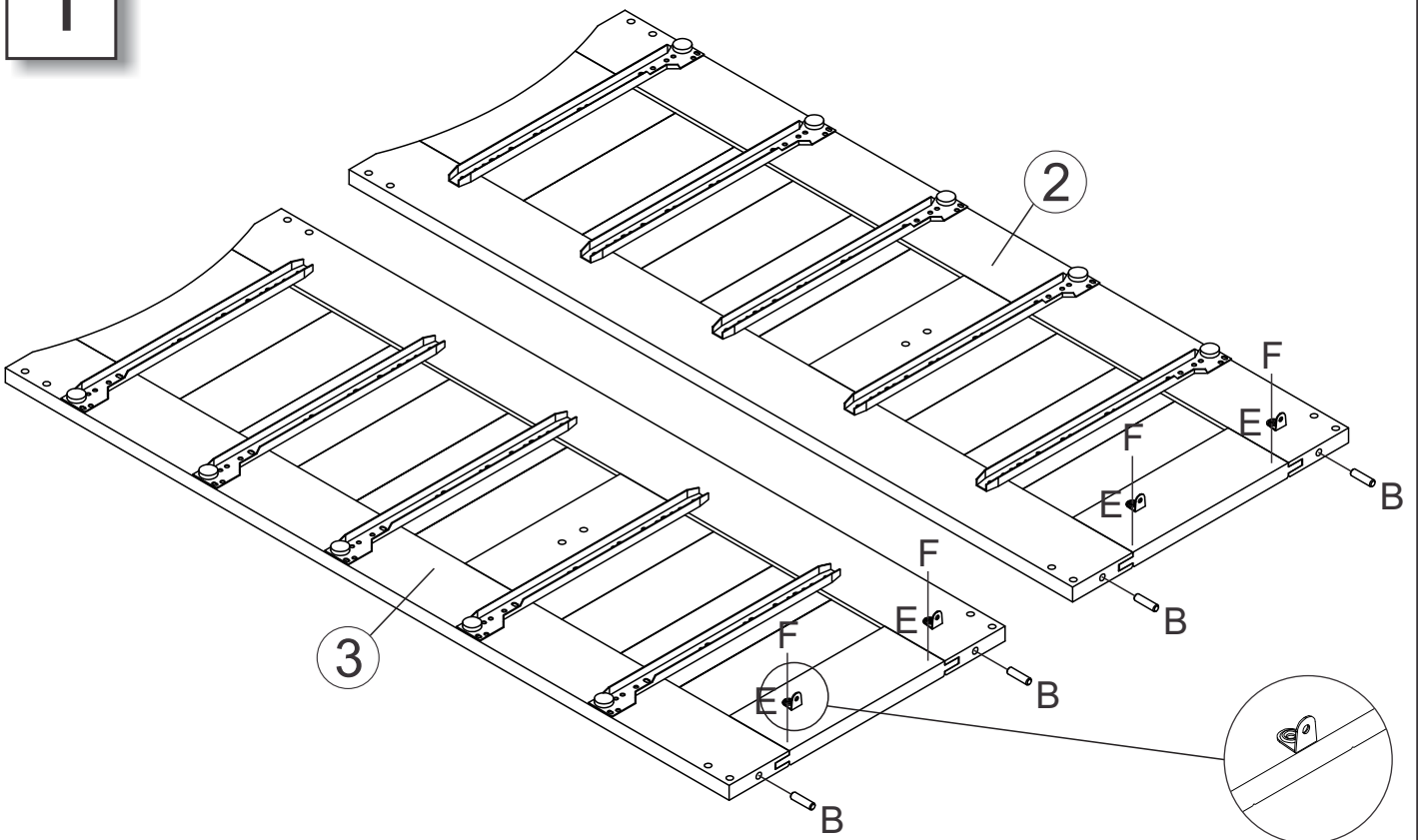
Discovery World Furniture will replace any component part free of charge for 1 full year via UPS freight collect. In addition, Discovery World Furniture will replace any component part for 50% of the then prevailing retail price plus freight for the lifetime of the product. For service, mail your request to:

Discovery World Furniture 2963 Stonewall Place, Sanford, FL 32773

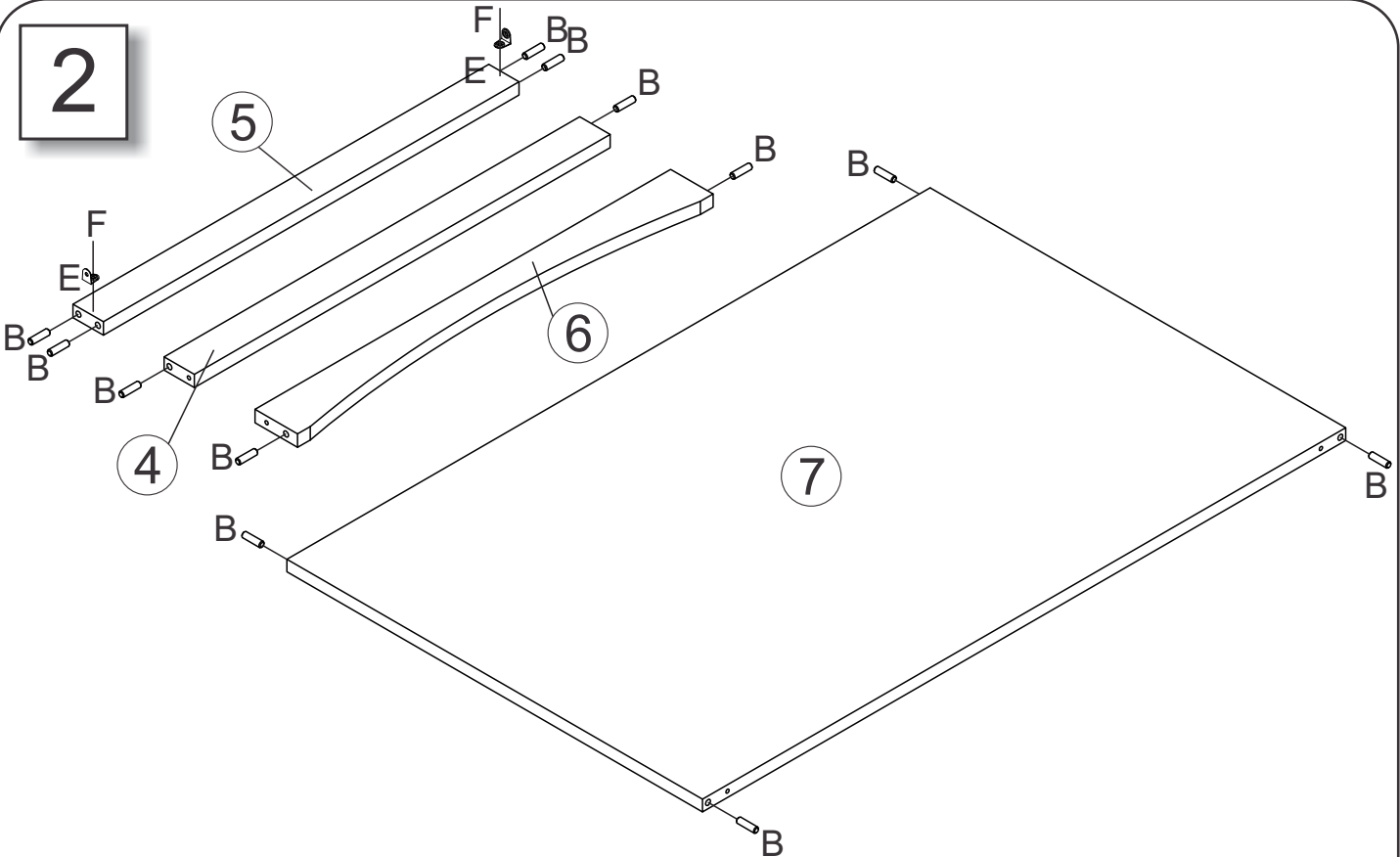
Parts List



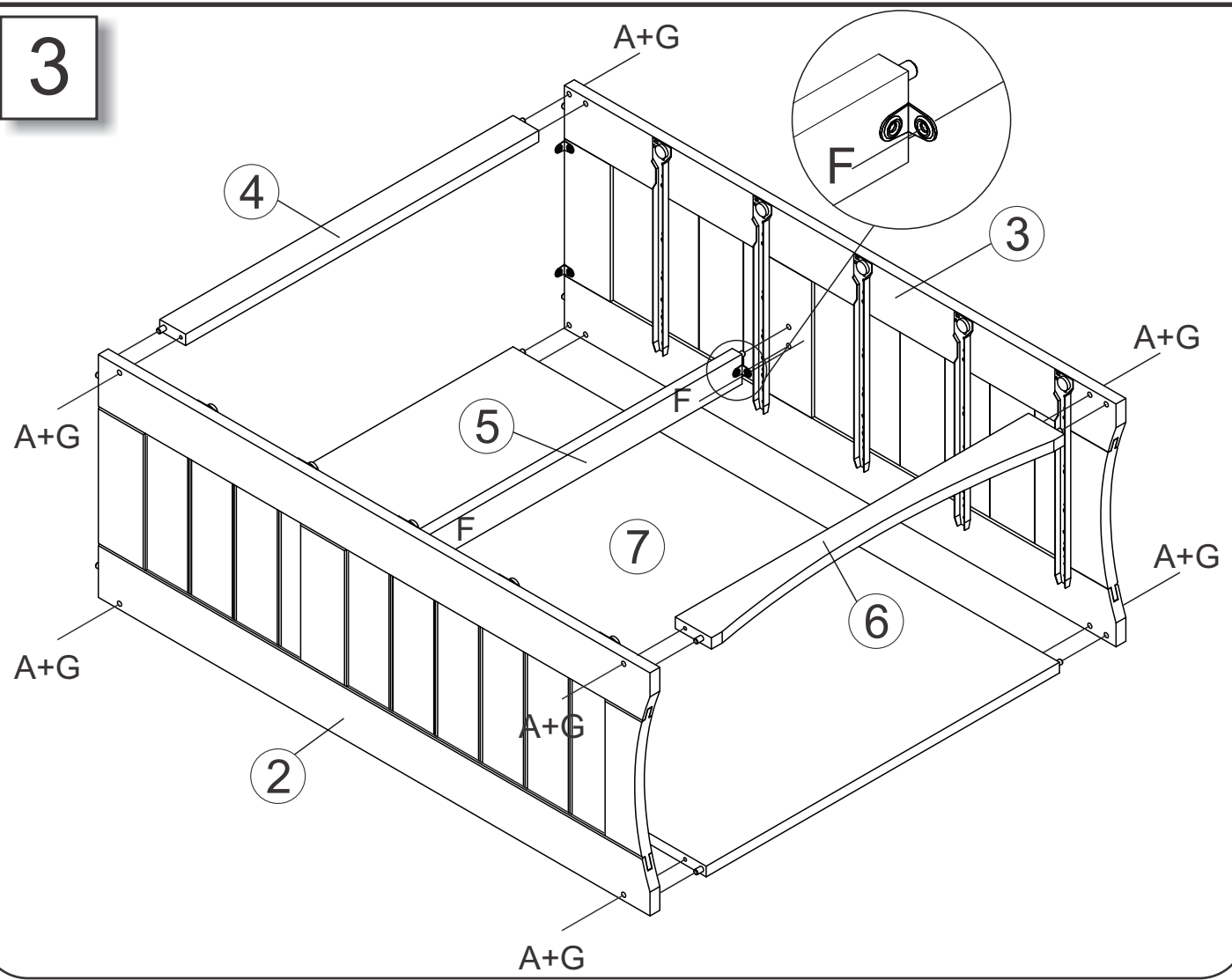
1



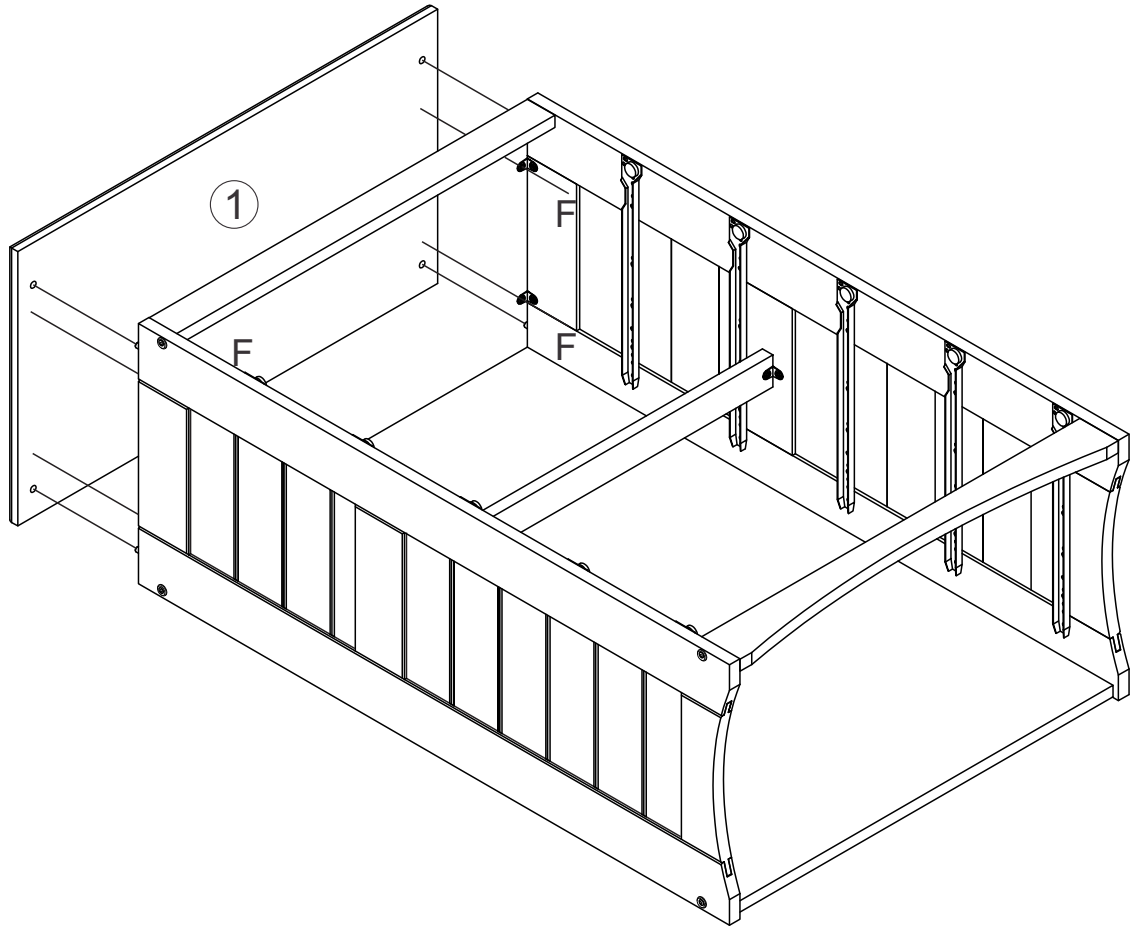
2



3

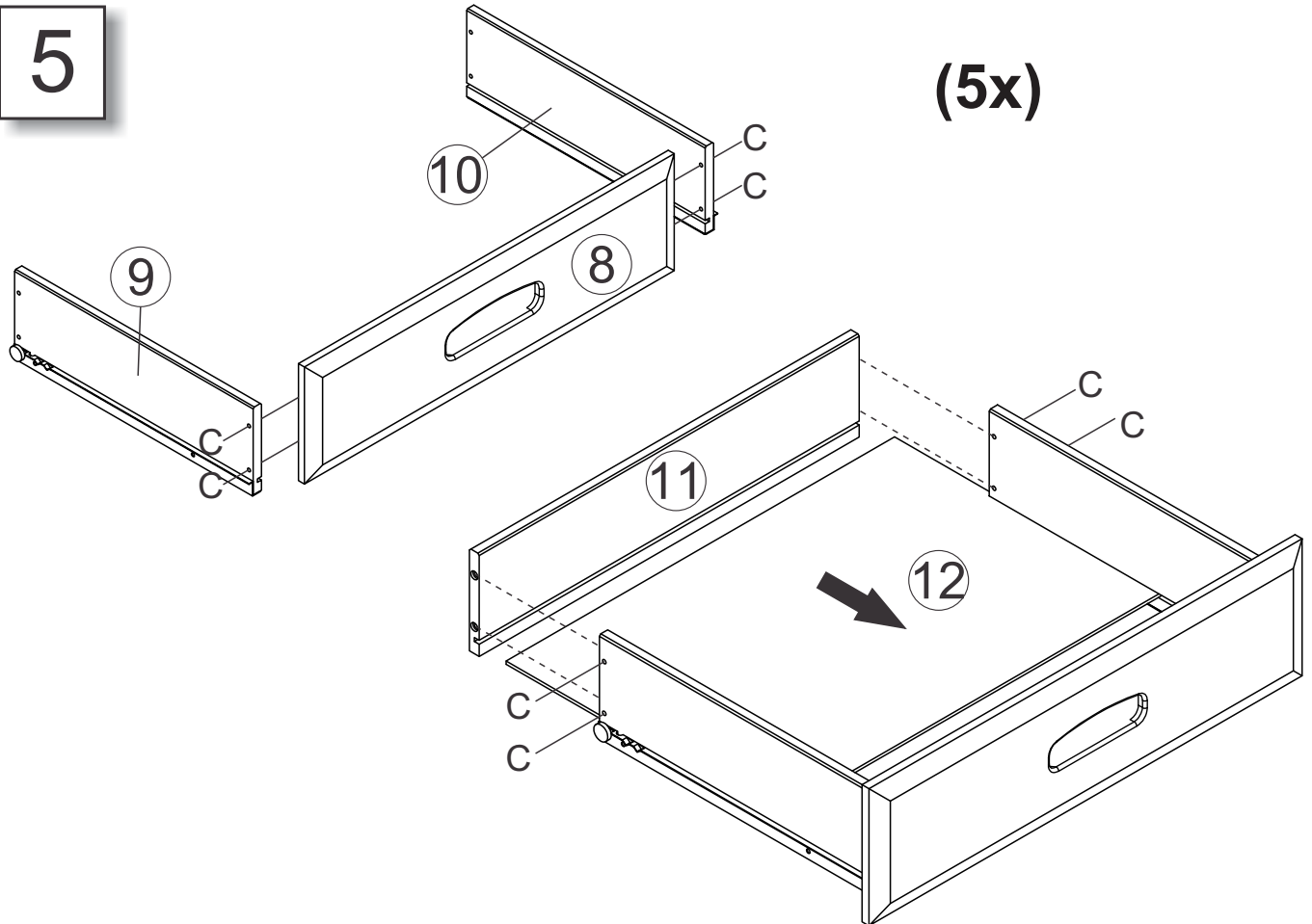


4



5

(5x)



6

▲ WARNING

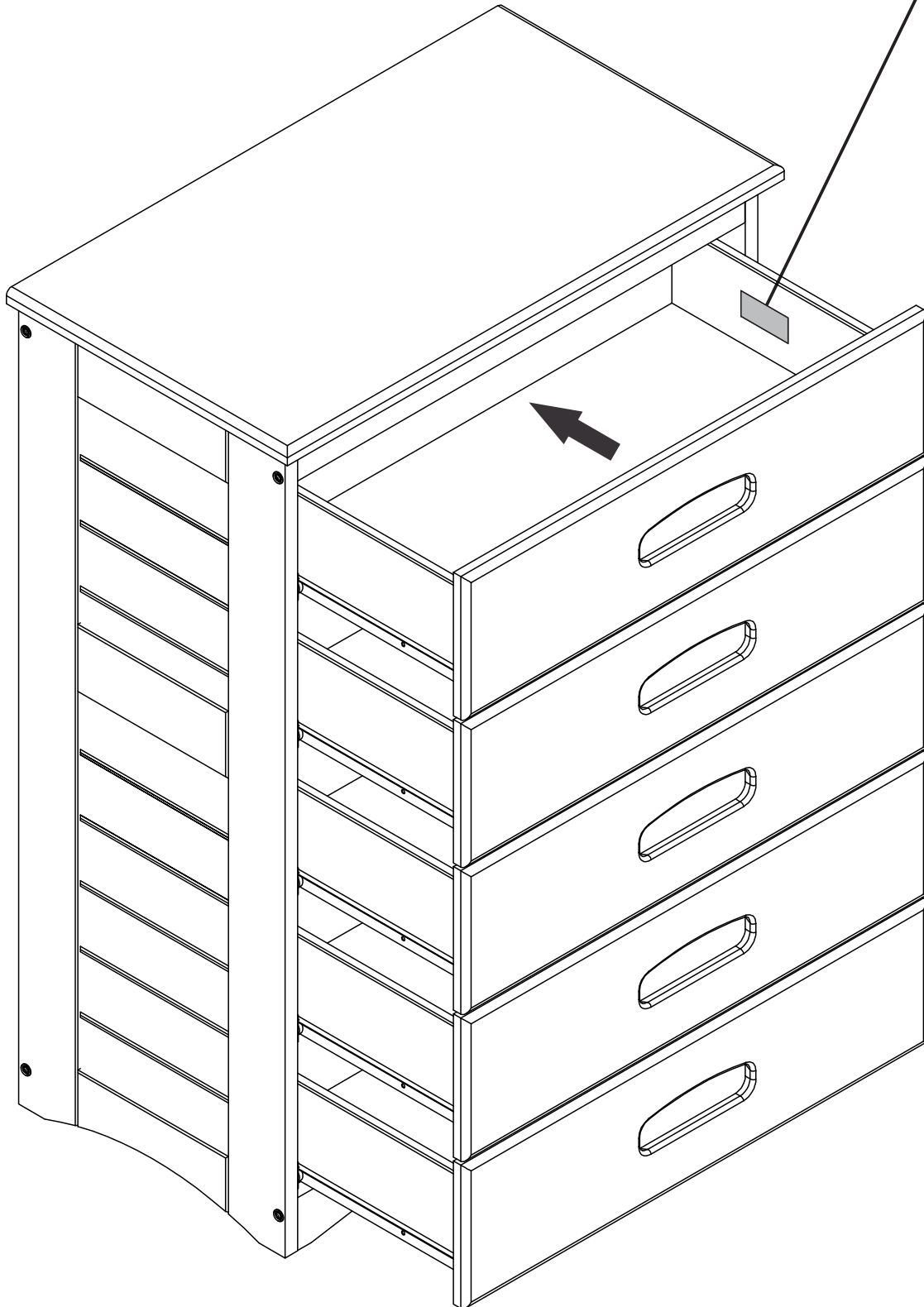


Children have died from furniture tip-over. To reduce the risk of furniture tip-over:

- ALWAYS Install tip-over restraint provided.
- NEVER put a TV on this product.
- NEVER allow children to stand, climb or hang on drawers, doors, or shelves.
- NEVER open more than one drawer at a time.
- Place heaviest items in the lowest drawers.



*This is a permanent label.
Do not remove!*





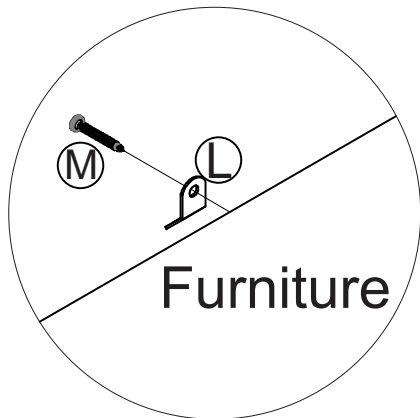
Anti-Tip kit Instruction

PO# _____ Date: _____

Tool required- Screw driver

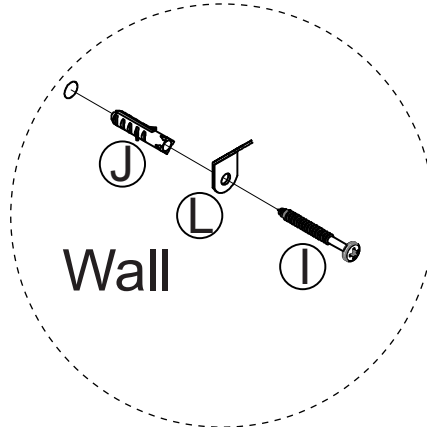
Tipping furniture can injure young children. Use of this safety bracket hardware is highly recommended. This safety hardware, when properly installed can provide further protection against unexpected accidental tipping of furniture due to improper use.

Step 1



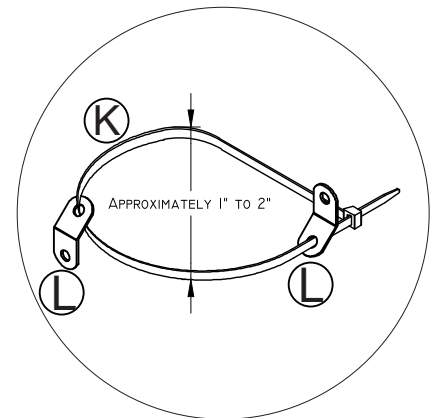
- Determine the location of your furniture. Find the center of the back edge of the top of your furniture, and once determined, mark it. Make a matching mark on the wall. Attach the metal clip (L) exactly as shown in the diagram using screw (M).

Step 2

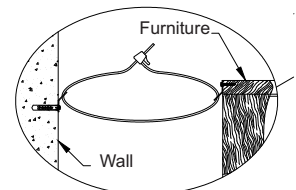


- Attach the second metal clip (L) to the wall anchor (J) (If you can not use a wall stud) and screw (I) as a shown.

Step 3



- Once the clips are secure and tight, place the furniture with clips as close to the wall with clip. Then attach the cable tie (K) as shown, making sure it 'locks' and pulls together. If you wish, you can cut the top end of the tie to conceal this hardware.
As an additional safety measure, it is recommended to place all heavier items on the lower drawers of the furniture.



Parts List

I	WALL MOUNTING SCREW 4,5x35	01	J	WALL ANCHOR Ø 6MM	01
K	CABLE TIE	01	L	METAL CLIPS	02
M	FURNITURE MOUNTING SCREW 4,0x20	01			

Important warning

Make sure the brackets are firmly attached to the wall stud, the furniture frame and the safety strap is snug. This product is not to be a substitute for proper parental supervision which is the only proper deterrent to prevent improper use of this unit.

The manufacturer assumes no liability for improper installation or excessive loads placed on the safety straps, bracket or mounting screws.

This hardware will not insure against tipping.

For taller or heavier pieces of furniture, two safety brackets may be installed.