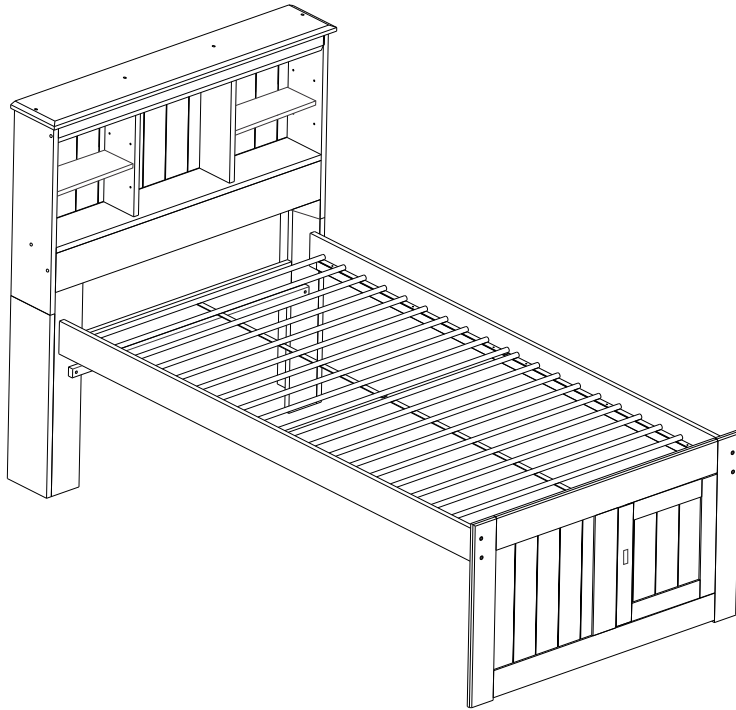

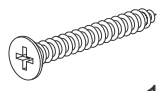

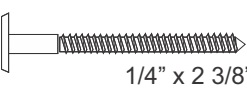
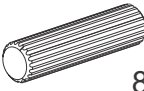
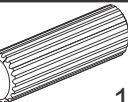
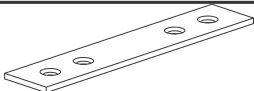
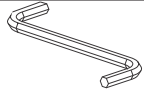

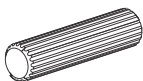


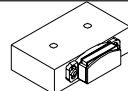




82120-82820 Bookcase Captain's Bed Twin



A	 1/4" x 2 1/2"	08
B	 1 1/4"	06
C	 5/8"	24
D	 1/4" x 2 3/8"	14
E	 8x40mm	10
F	 10x40mm	02

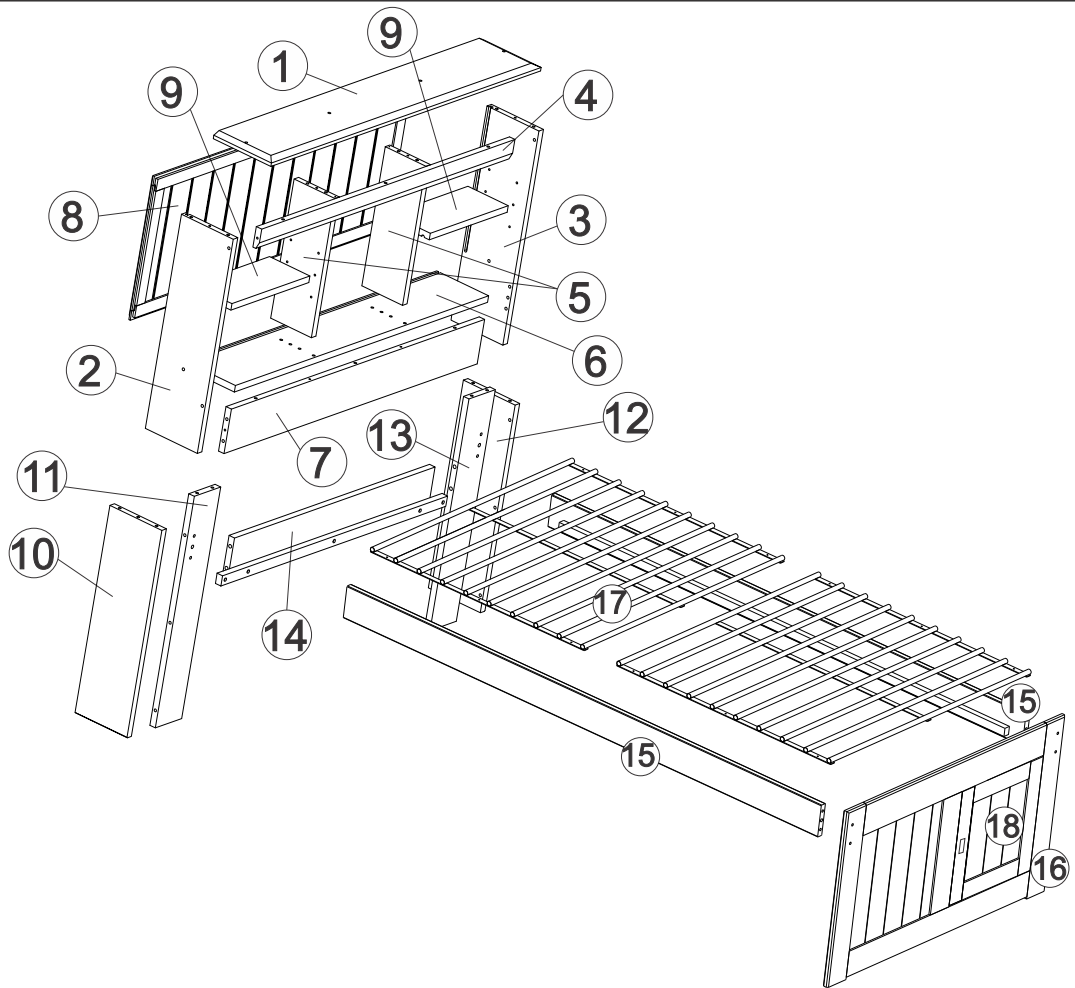
G		02
H		01
I		08
J	 8x30mm	28
K		06
L	 Allen bit	01
M		01

WARRANTY

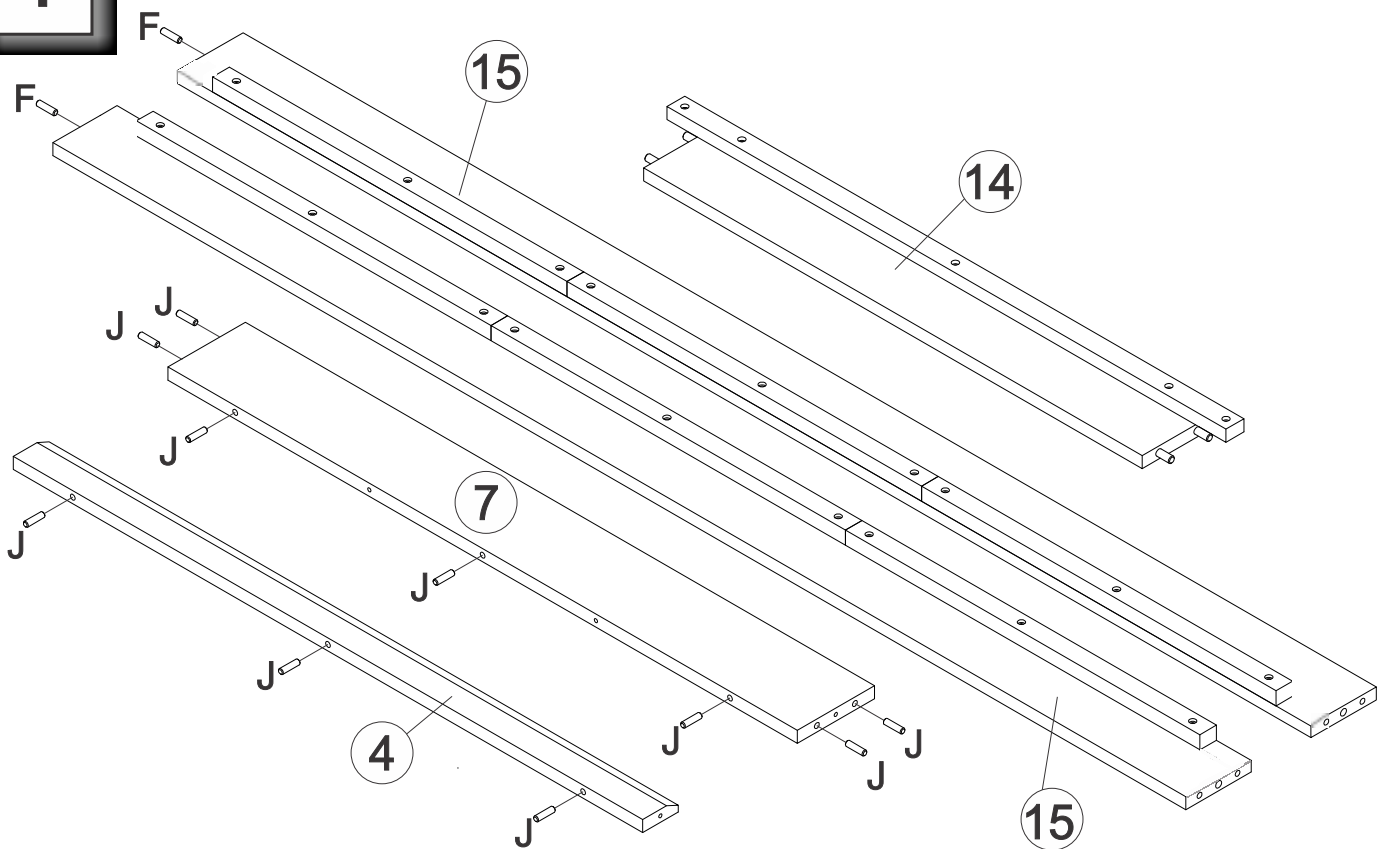
Replacement Parts & Limited Lifetime Warranty

Discovery World Furniture will replace any component part free of charge for 1 full year via UPS freight collect. In addition, Discovery World Furniture will replace any component part for 50% of the then prevailing retail price plus freight for the lifetime of the product. For service, mail your request to:

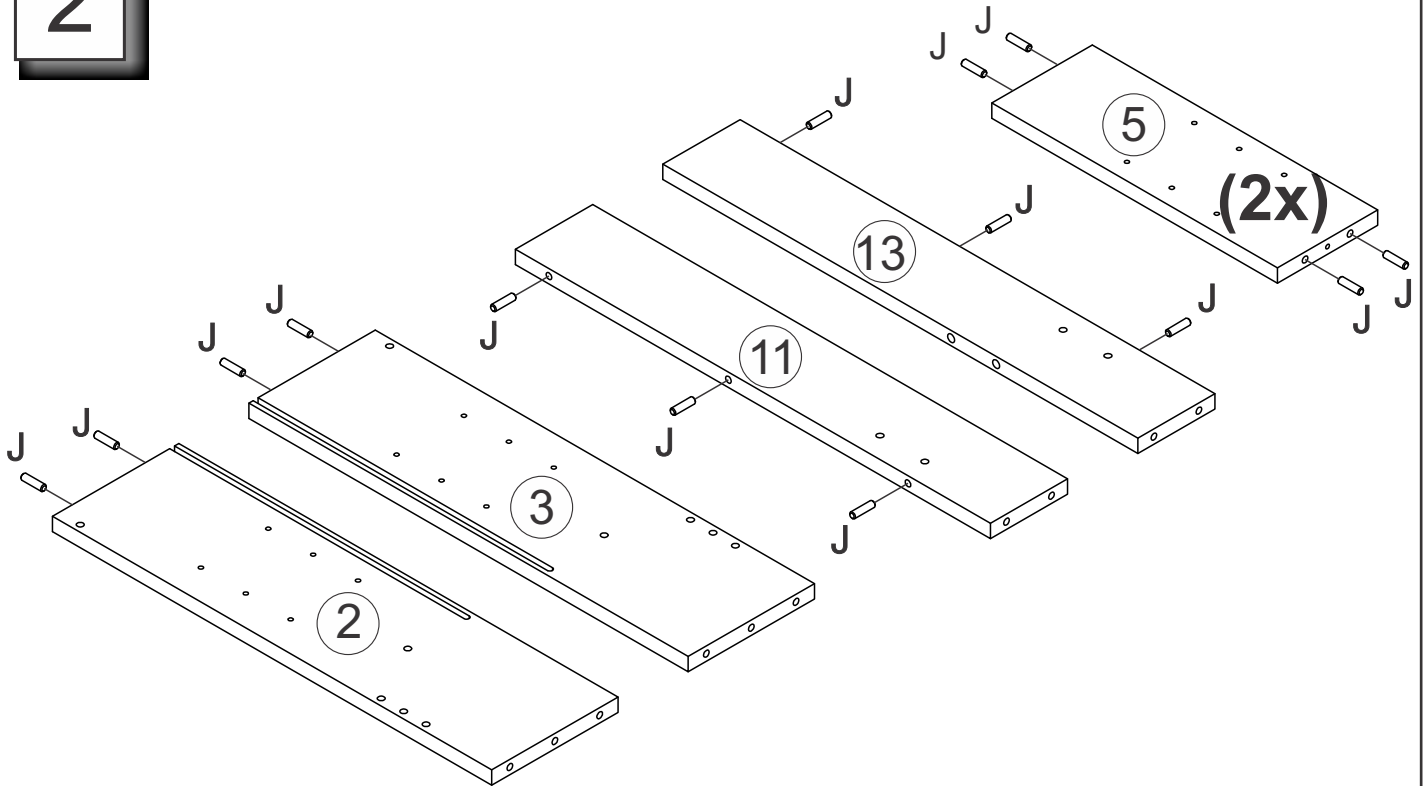
Discovery World Furniture 2963 Stonewall Place, Sanford, FL 32773



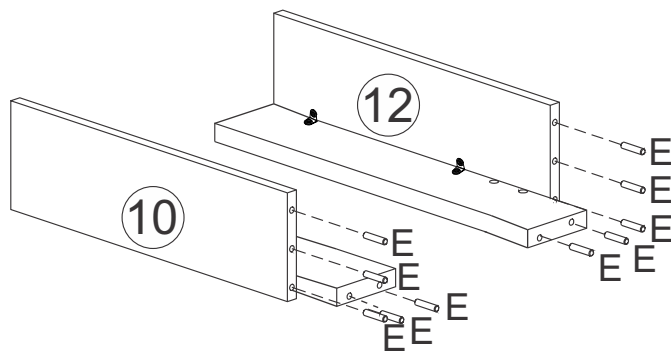
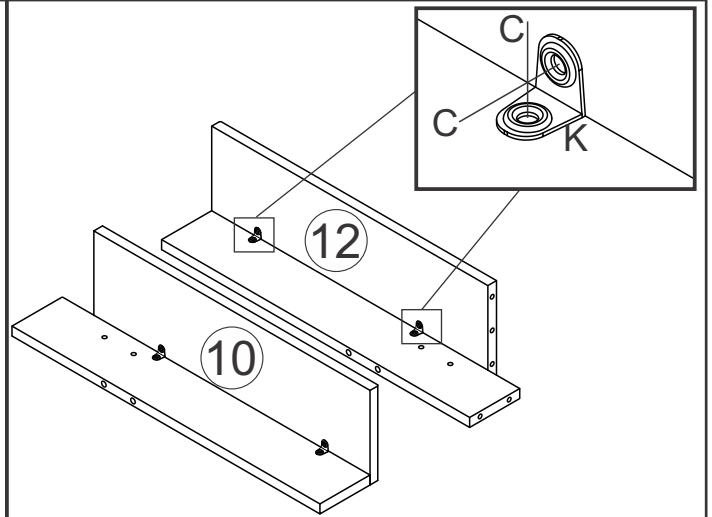
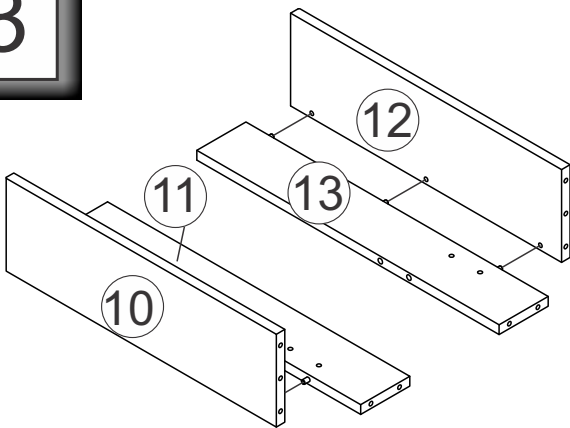
1



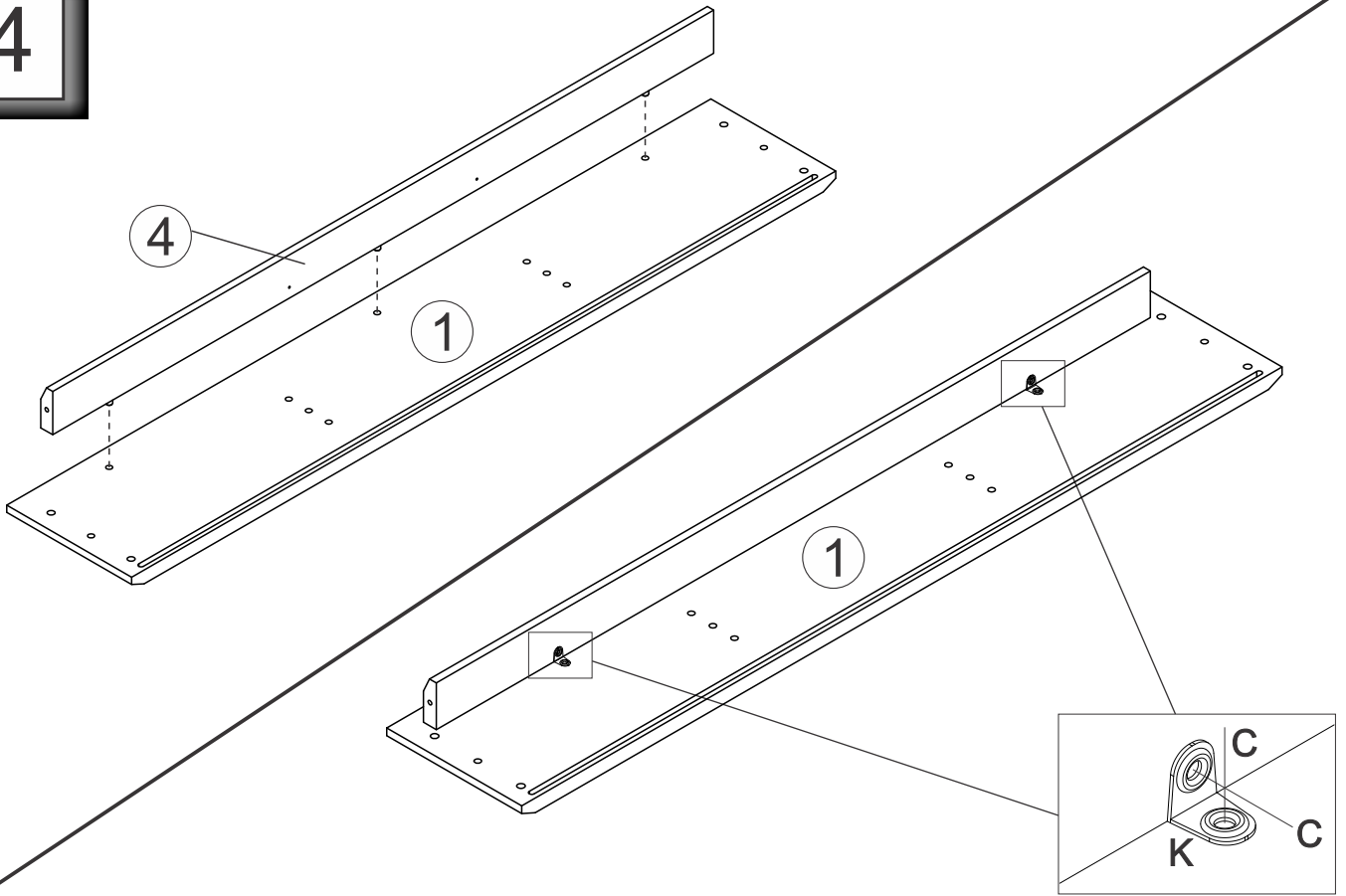
2



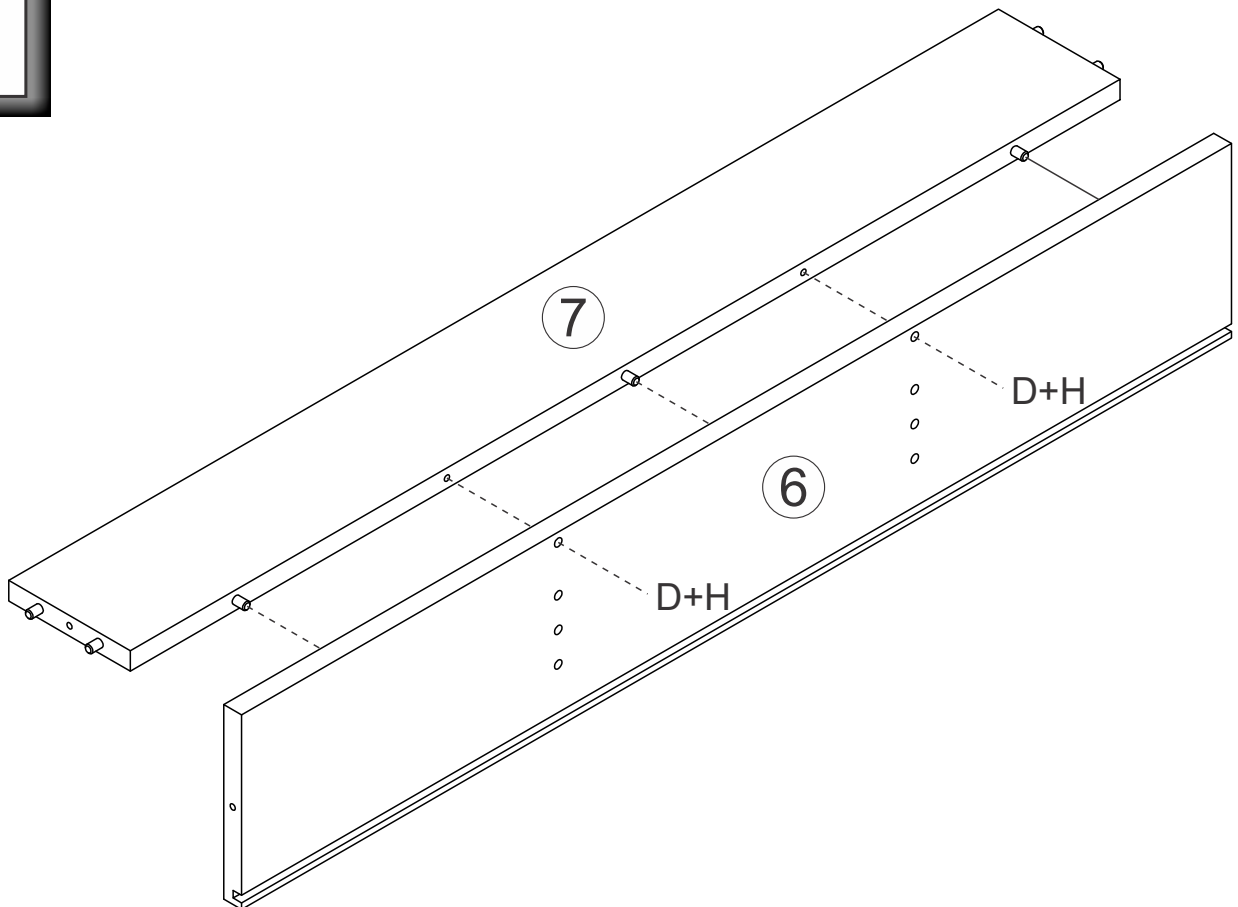
3



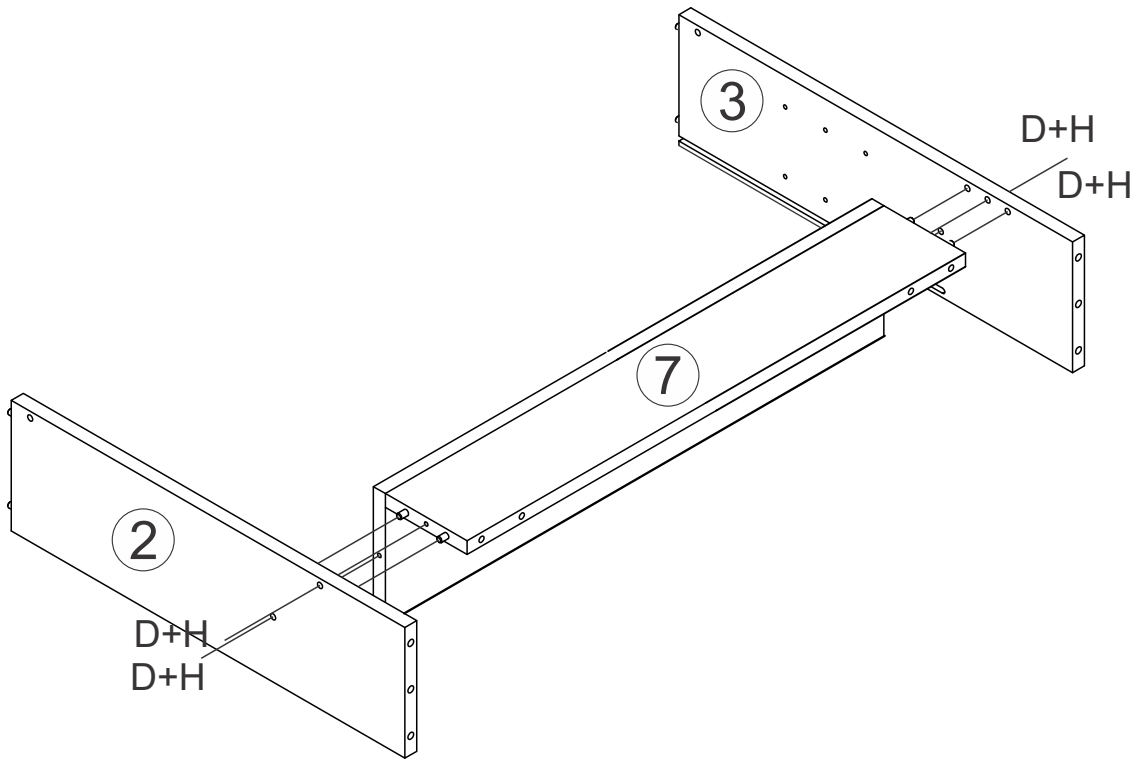
4



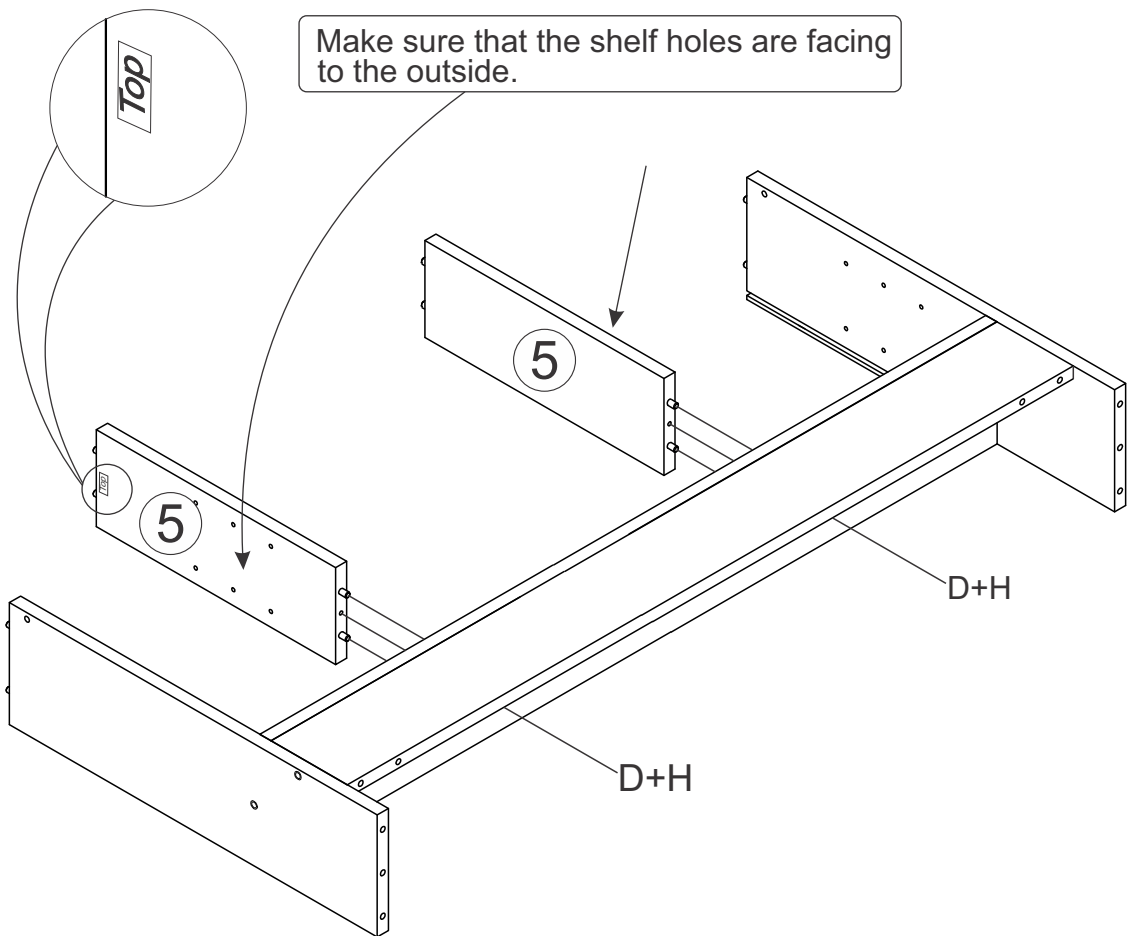
5



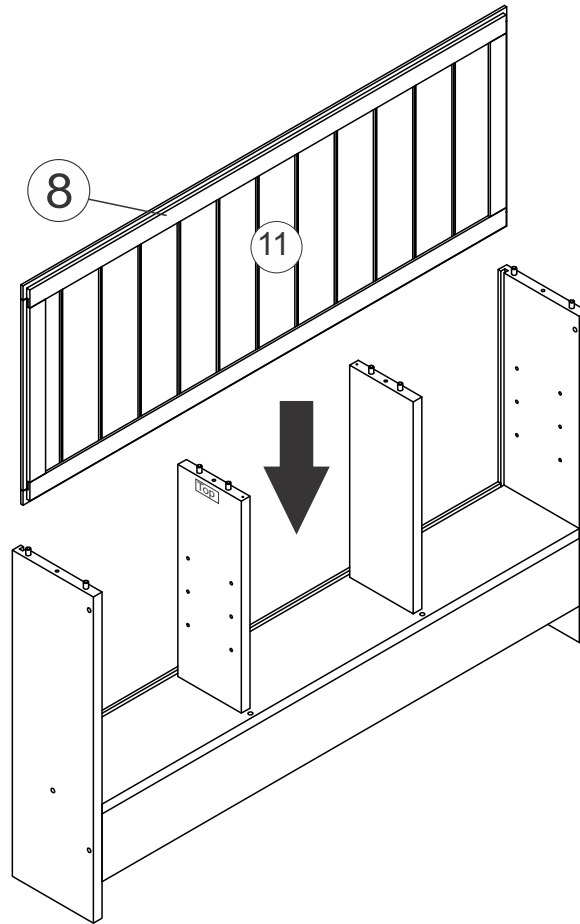
6



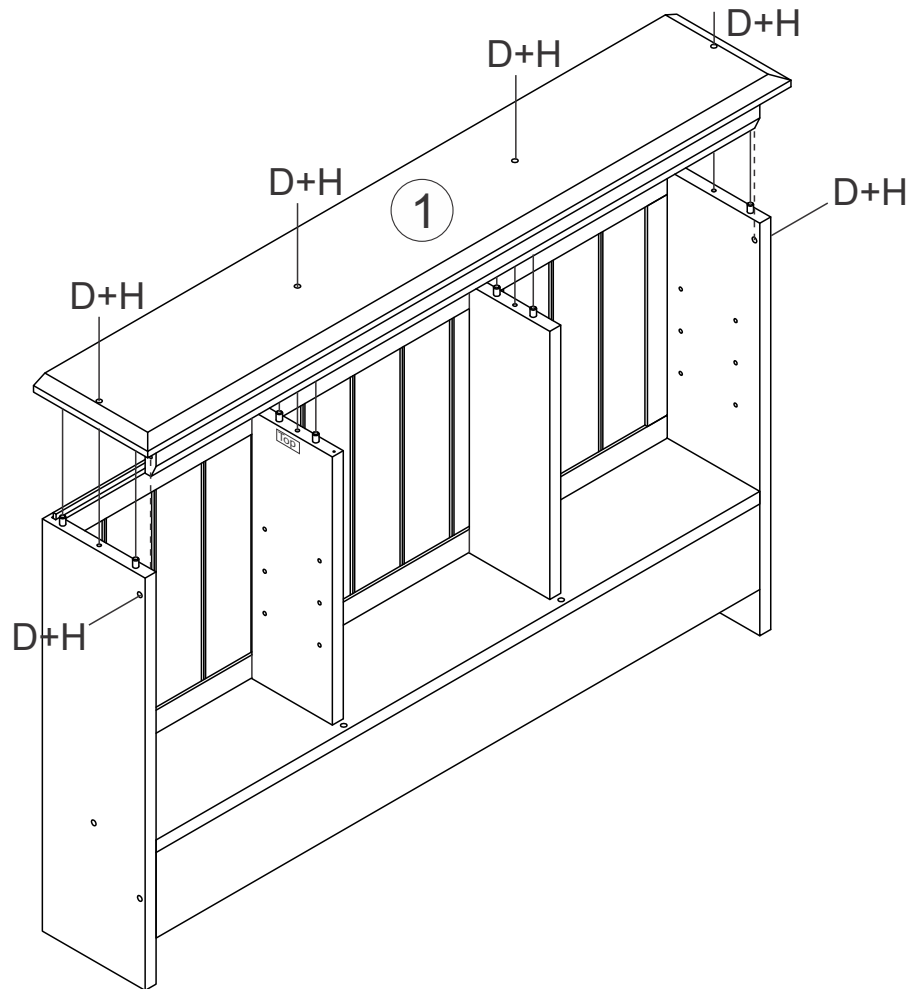
7



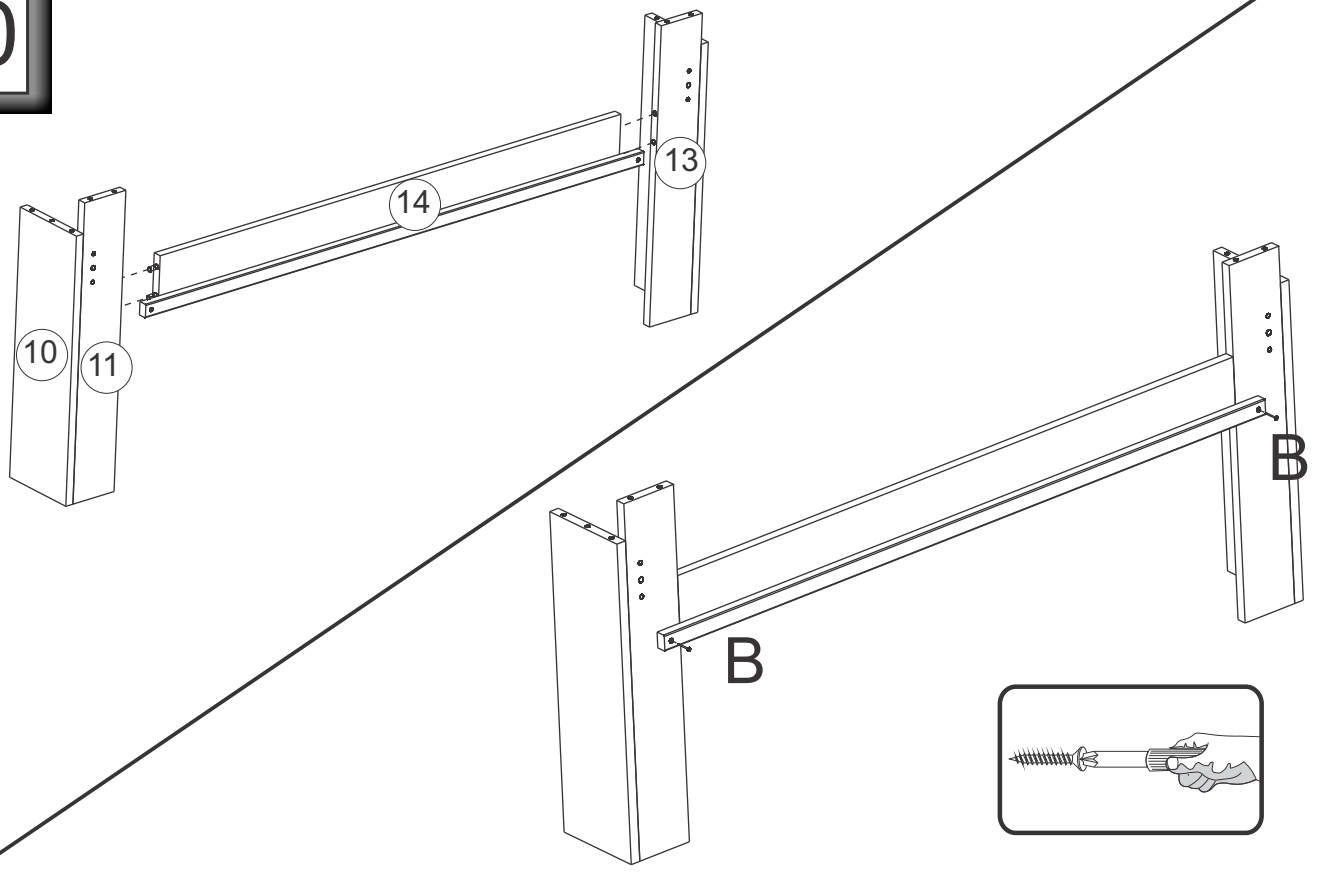
8



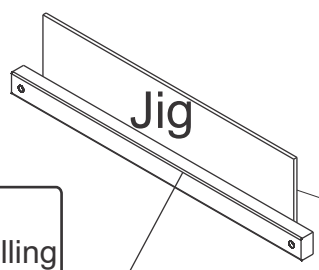
9



10

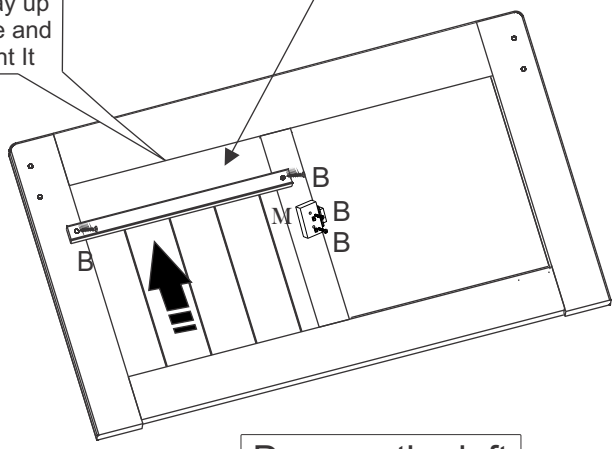


11

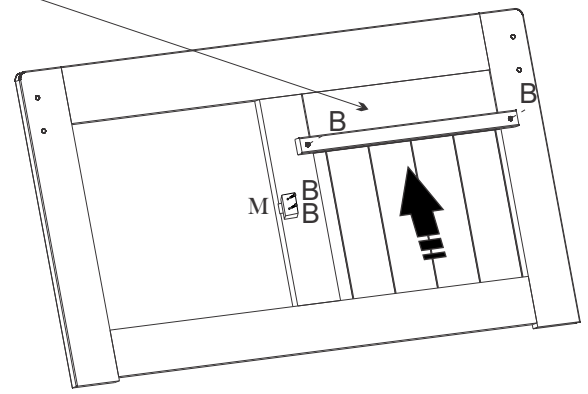


IMPORTANT NOTE
 Choose side before installing
 the elevation kit Jig
 (Footboard is reversible)

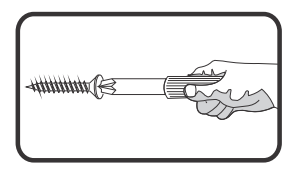
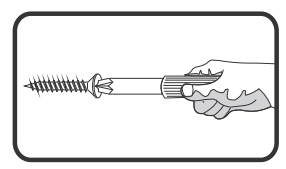
Push Jig all
 the way up
 to here and
 mount It



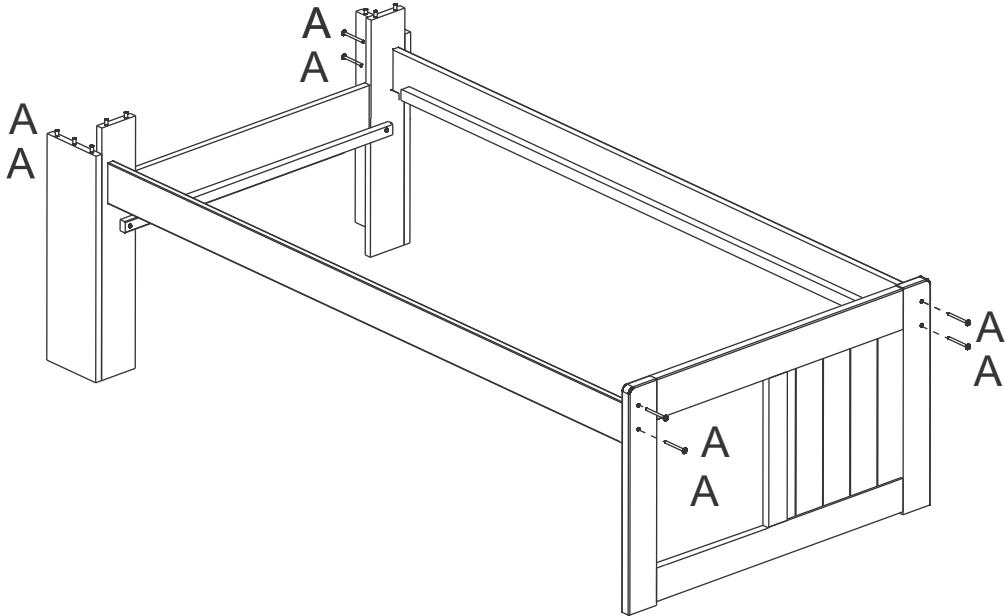
Door on the left



Door on the right

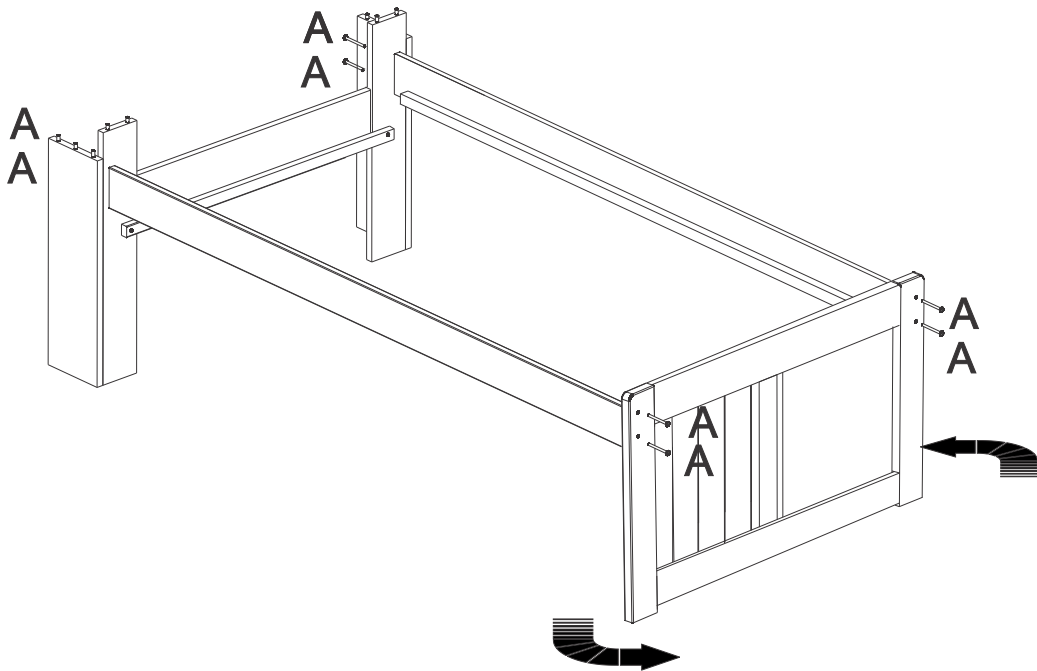


12



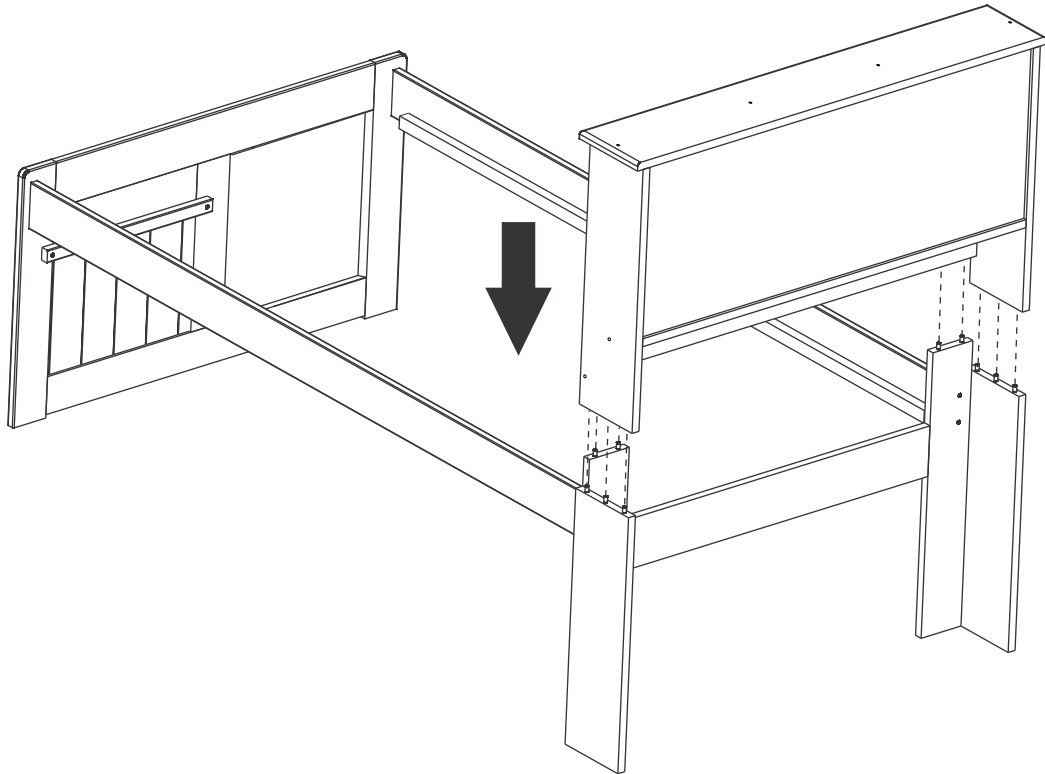
Door on the left side

13

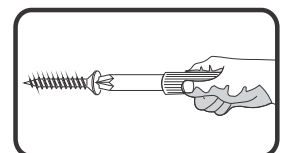
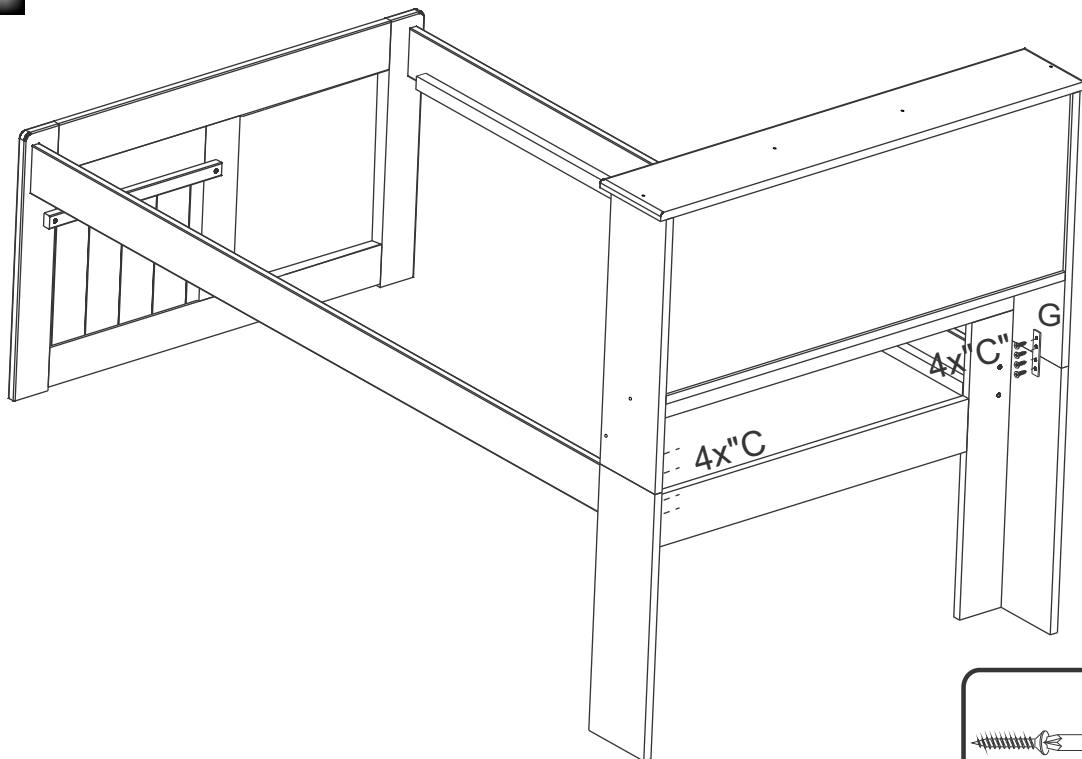


Door on the right side

14



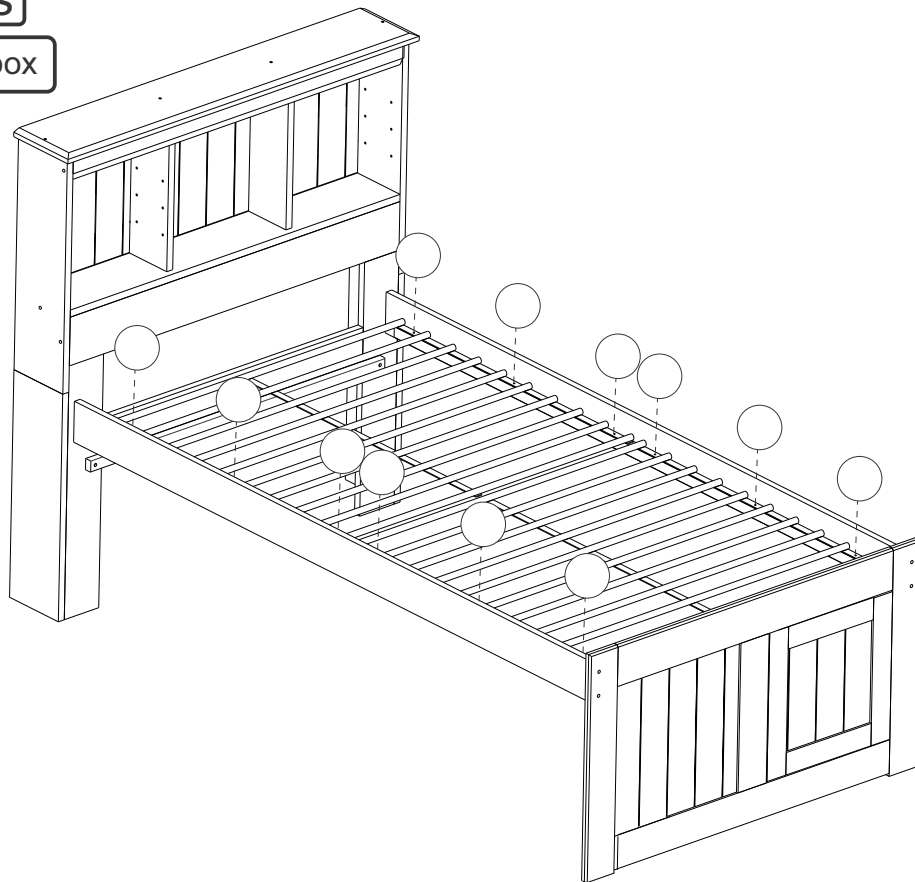
15



16

Install slats

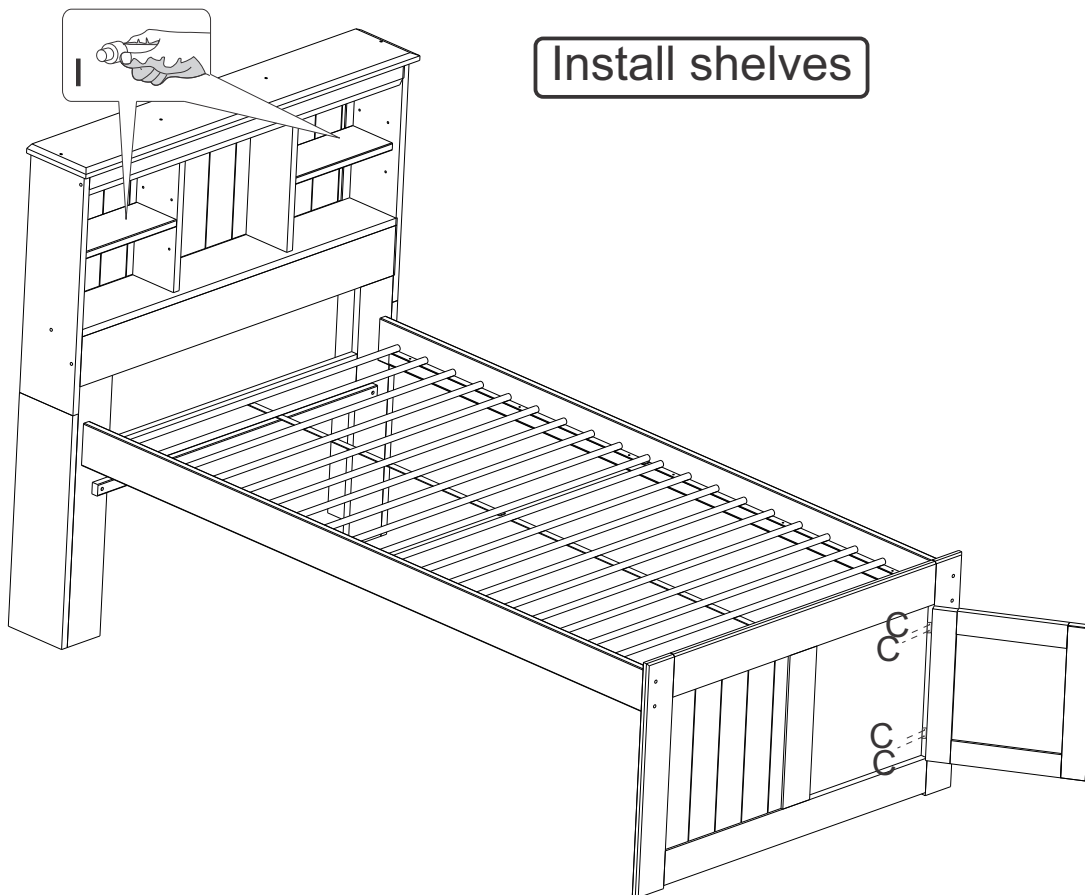
Screws in slat box



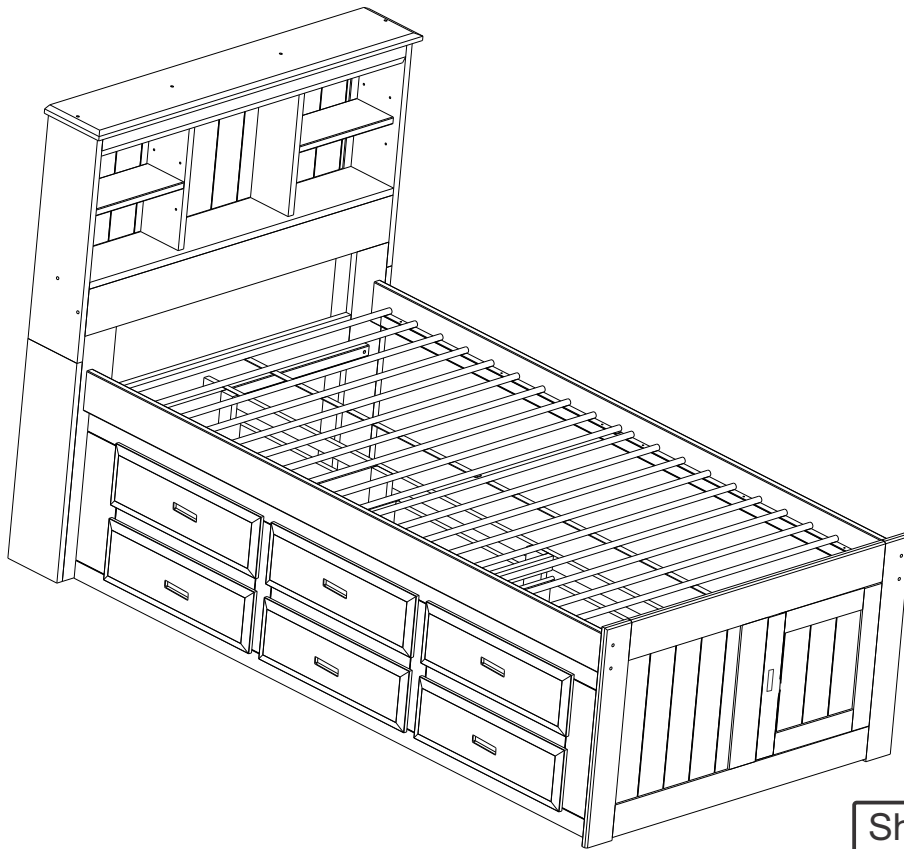
17

Install shelves

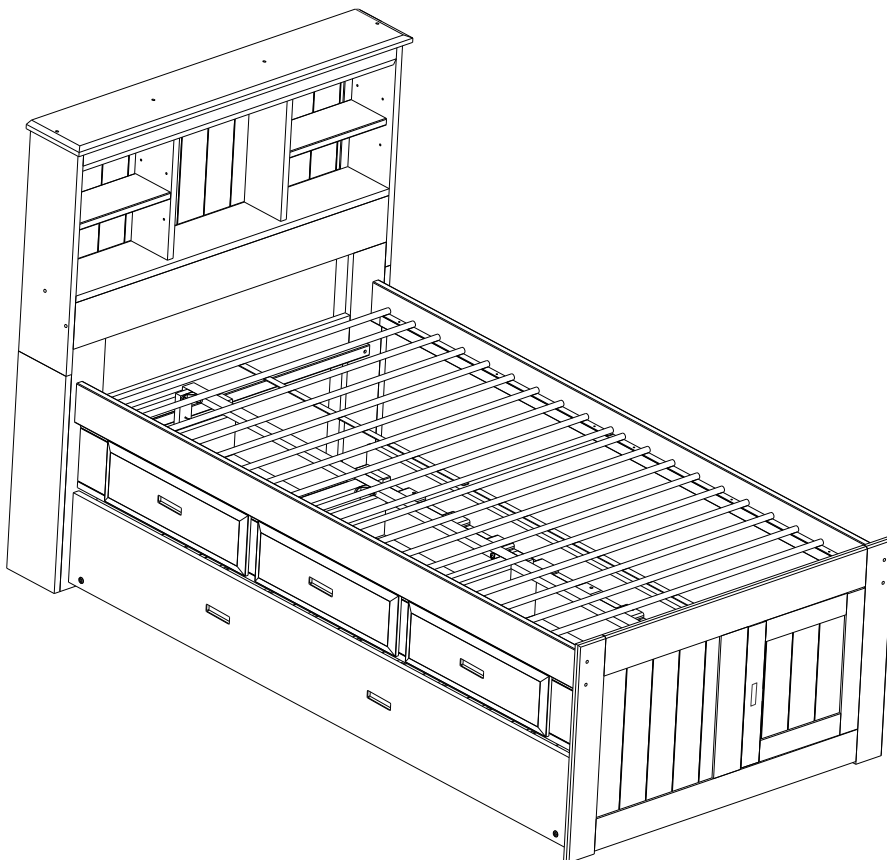
8X ①



Install door



Shown with optional
6 Drawer unit



Shown with optional
3 Drawer elevation unit
and trundle