



SAFETY FIRST !!!!!

3214 Mission Stair Stepper Bunk Bed (Wood Slats)

All of Discovery's Bunkbeds were designed and manufactured with your child's safety as our top priority. Their unparalleled strength is a bi-product of the safety design. Our bunks meet all compliance with ASTM F 1427-13 "Standard Consumer Safety Specification for Bunk Beds" and Code of Federal Regulations (CFR) 1213 "Safety Standards for Entrapment Hazards in Bunk Beds" and (CFR) 1513 "Requirements for Bunk Beds".

Safety is a cooperative effort between us as the manufacturer, and you as a guardian. Please read and consider the warnings listed below when choosing a mattress and discussing rules of use with your child.

SAFETY WARNINGS

1. Follow the information on the warnings appearing on the upper bunk end structure and on the carton. Do not remove warning label from bed.
2. Always use the recommended size mattress or mattress support, or both, to help prevent the likelihood of entrapment or falls.
3. Surface of mattress must be at least 5 inches (127 mm) below the upper edge of guardrails.
4. Do not allow children under 6 years of age to use the upper bunk.
5. Prohibit more than one person on the upper bunk.
6. Periodically, check and ensure that the guardrail, ladder, and other components are in their proper position, free from damage, and that all connectors are tight.
7. Do not allow horseplay on or under the bed and prohibit jumping on the bed.
8. Always use the ladder for entering and leaving the upper bunk.
9. Do not use substitute parts. Contact the manufacturer or dealer for replacement parts.
10. Use of a nightlight may provide added safety precaution for a child using the upper bunk.
11. Always use guardrails on both long sides of the upper bunk. If bunk bed will be placed next to the wall, the guardrail that runs the full length of the bed should be placed against the wall to prevent entrapment between the bed and wall.
12. The use of water or sleep flotation mattresses is prohibited.
13. Keep these instructions for future reference.

STRANGULATION HAZARD—Never attach or hang items to any part of the bunk bed that are not designed for use with the bed; for example, but not limited to, hooks, belts and jump ropes

SIZE OF MATTRESS AND FOUNDATION

Use only mattress, foundation and deck combined which is 74-75 inches long and 37 ½-38 ½ inches wide on upper bunk. Ensure thickness of mattress and foundation combined does not exceed 9 inches and mattress and is at least 5 inches below upper edge of guardrails.

*****Replacement parts, including additional guardrails, may be obtained from any Discovery dealer or directly from us at the below address.

2963 Stonewall Place, Sanford, FL 32773

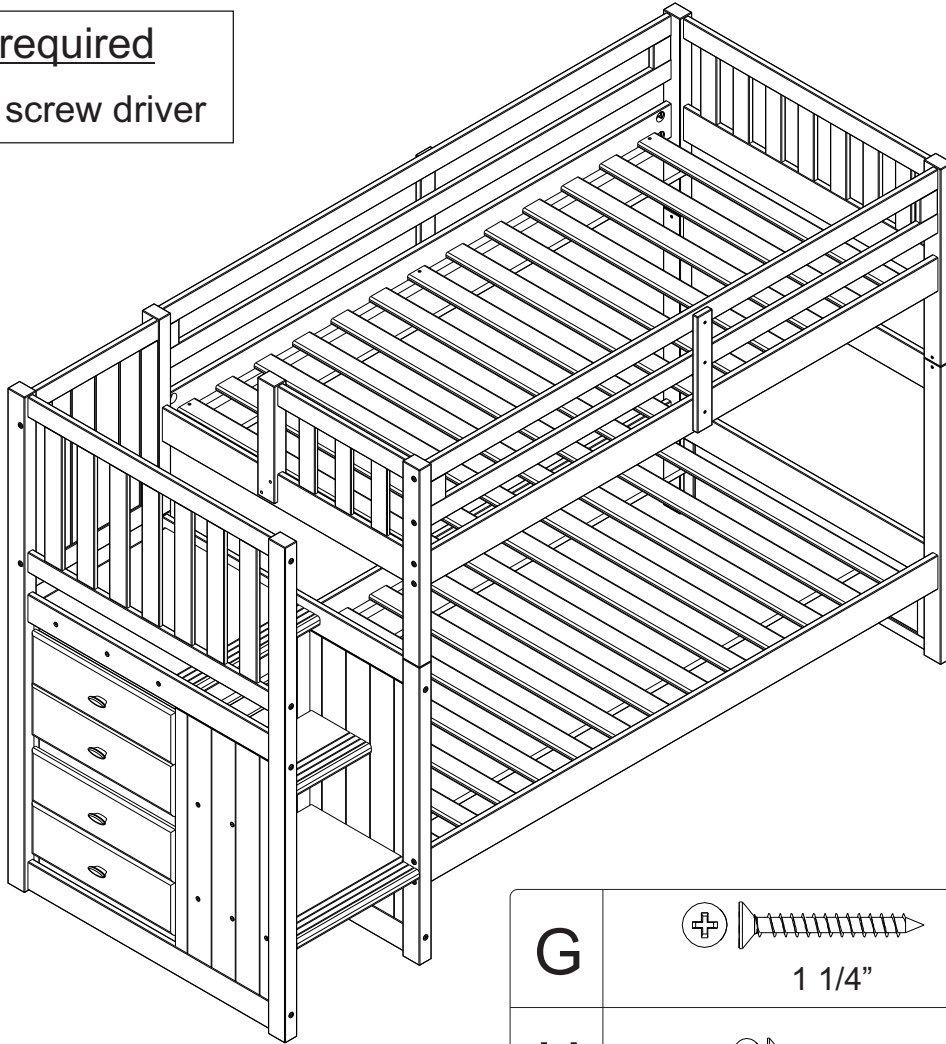
Patent # US 7,832,031 B1


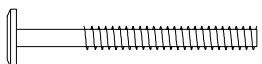

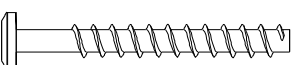

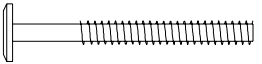

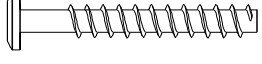

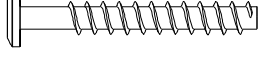

Replacement Parts & Limited Warranty

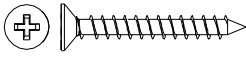
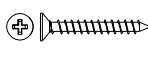

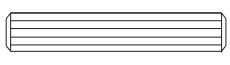
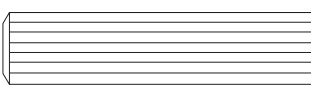



Discovery World Furniture will replace any component part free of charge for 1 full year via UPS freight collect. Discovery World Furniture will replace any component part for 50% of the then prevailing retail price plus freight for the lifetime of the product unless the product has been discontinued from our line. For service, mail your request to: Discovery World Furniture 2963 Stonewall Place, Sanford, FL 32773. (WWW.discoveryworldfurniture.com)

Stair Stepper Bed Left Side Facing
 *For Right side facing go to page 09

Tool required
 Phillips screw driver

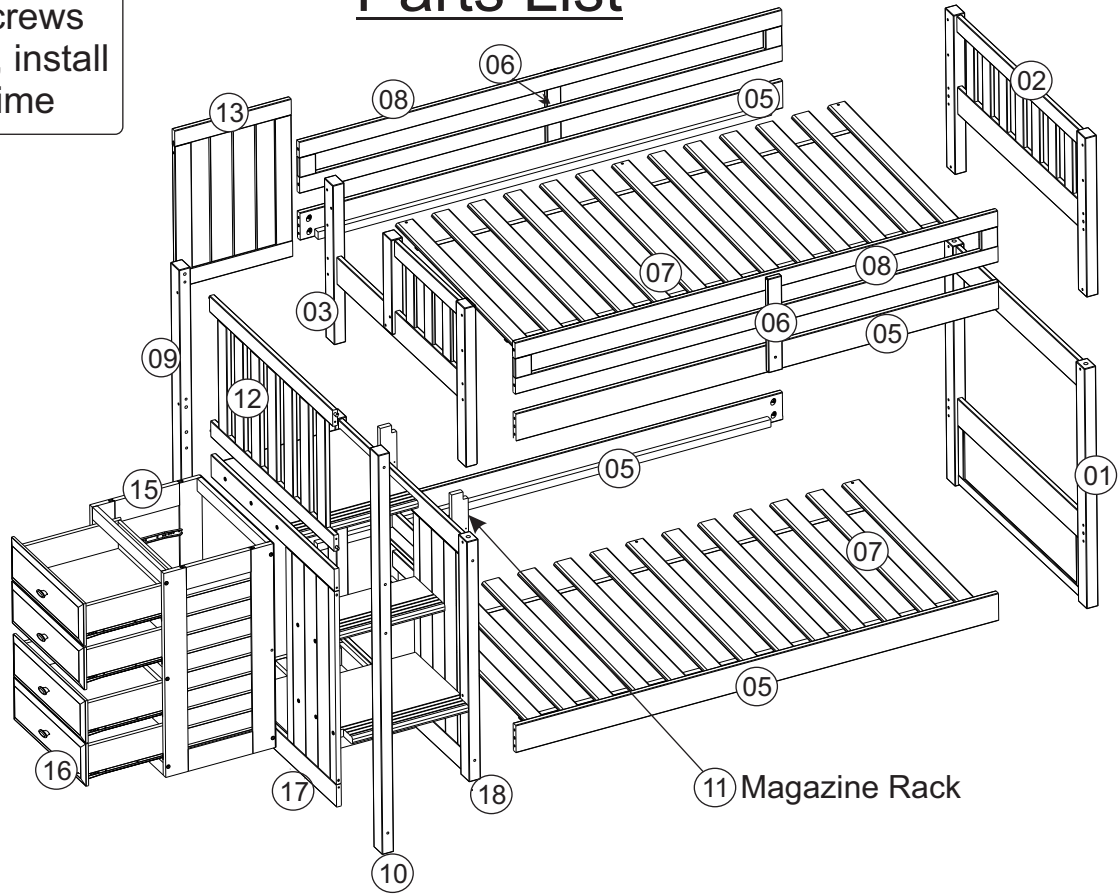


A		 3 1/2"	14
B		 4"	04
C		 3 1/2"	02
D		 3 1/2"	02
E		 3 1/2"	10
F			16

G	 1 1/4"	10
H	 1"	08
I	 ALLEN WRENCH	01
J	 1 3/4"	06
K	 3 1/2"	04
L	 ALLEN BIT	01
M	 Knobs	04
N		08

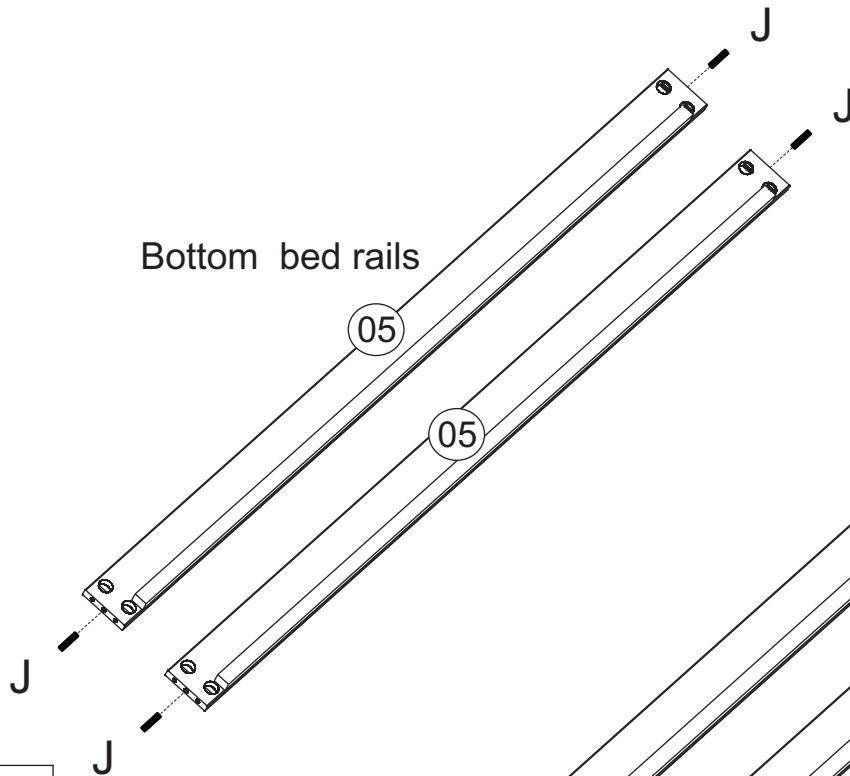
Parts List

Knobs and screws
in top drawer, install
them at any time



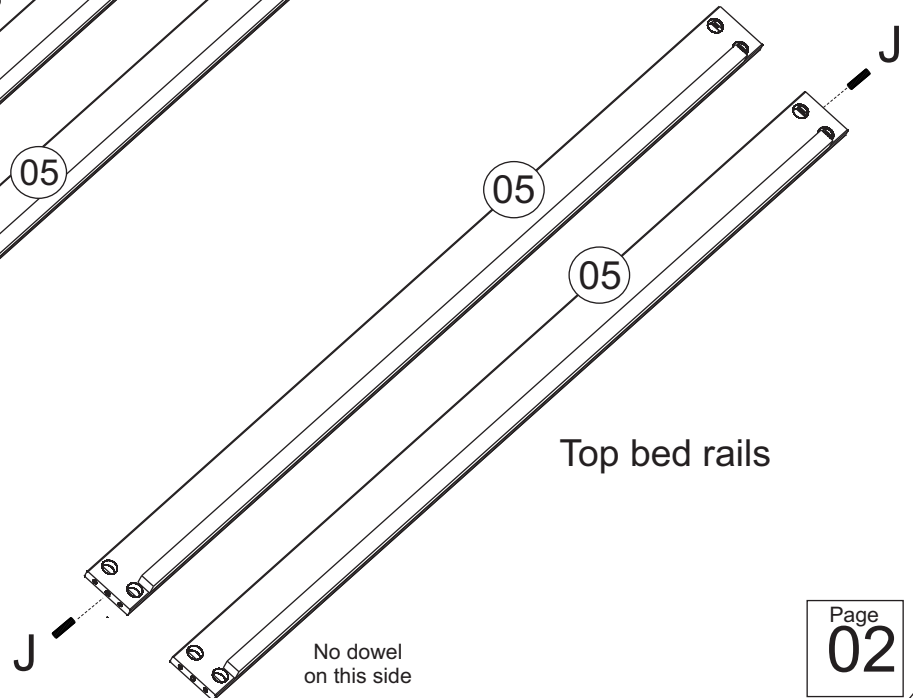
1

Bottom bed rails

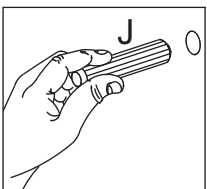


No dowel
on this side

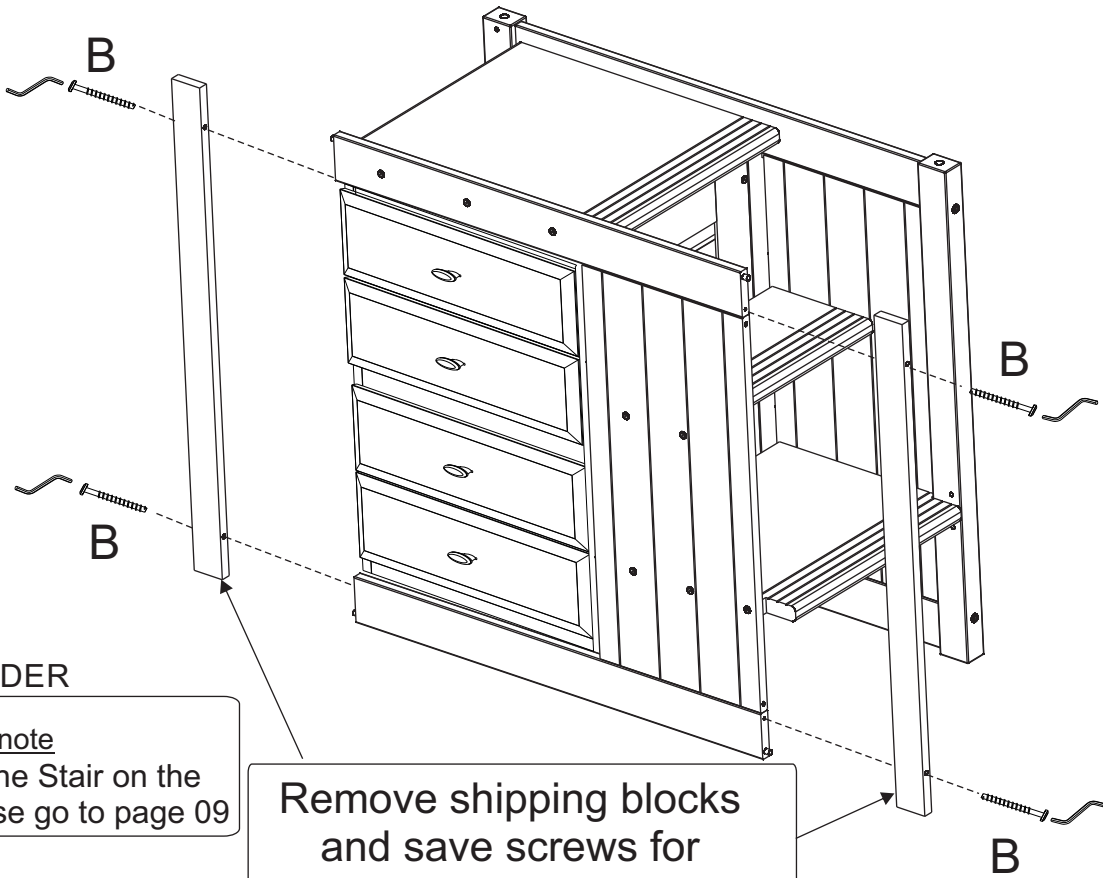
Top bed rails



No dowel
on this side



2

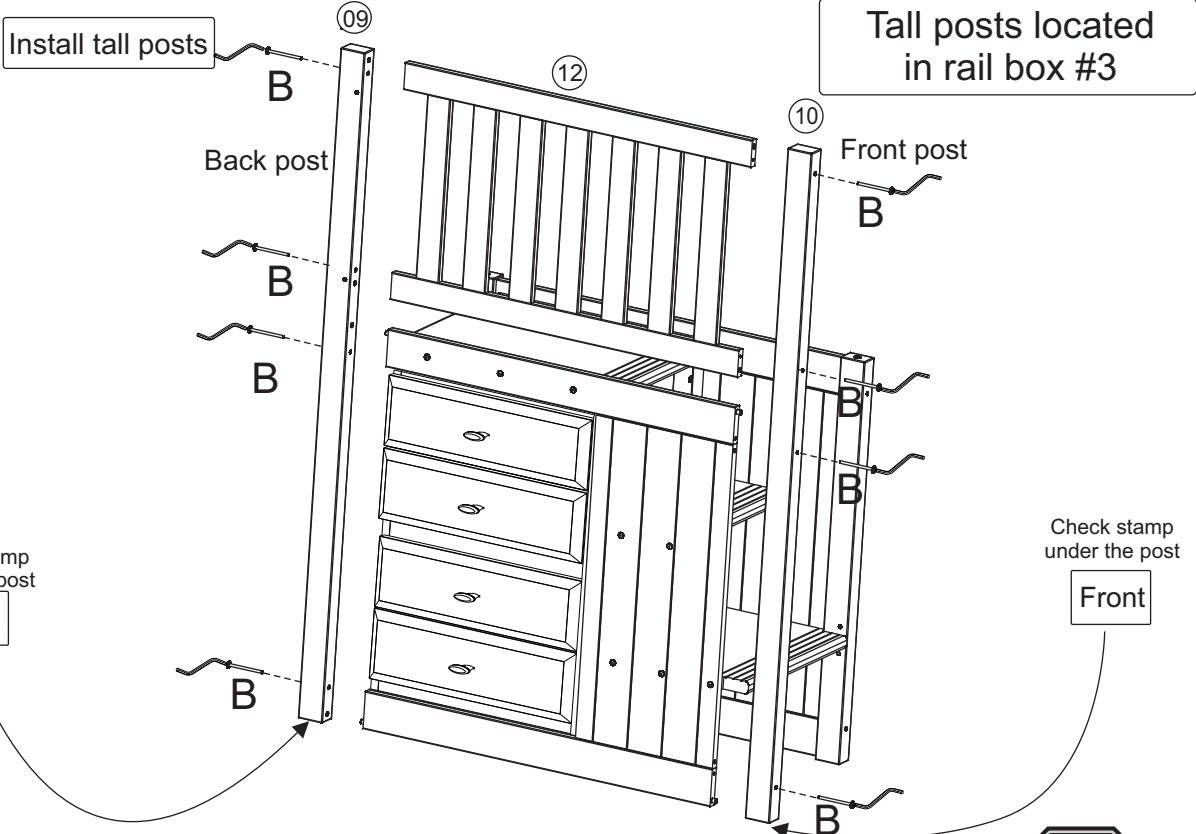


REMINDER

Important note
 If you want the Stair on the right side please go to page 09

Remove shipping blocks and save screws for next step

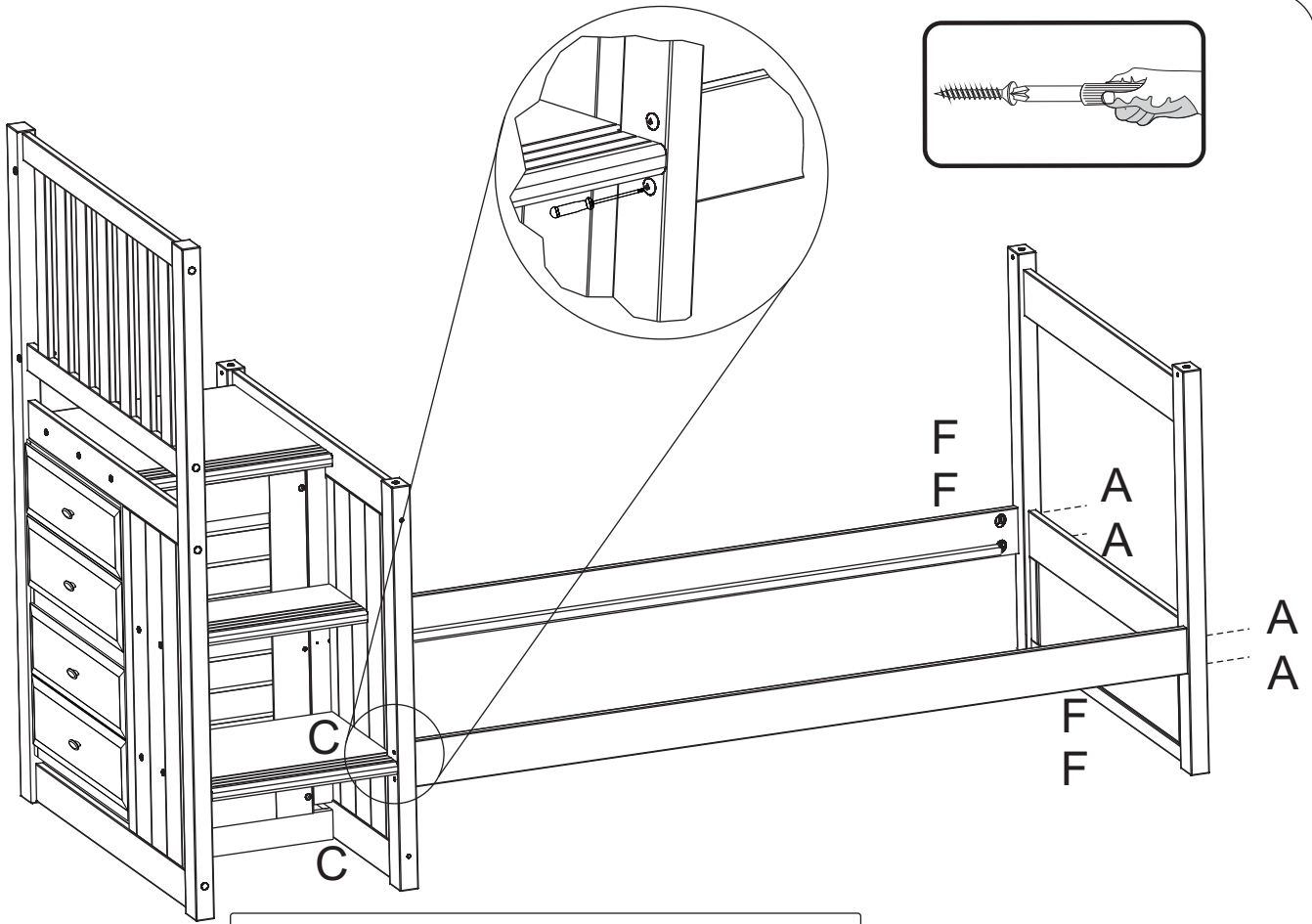
3



If you bought the Twin/Full version please open the extension kit box and follow the instructions there before continuing

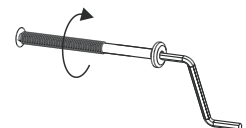
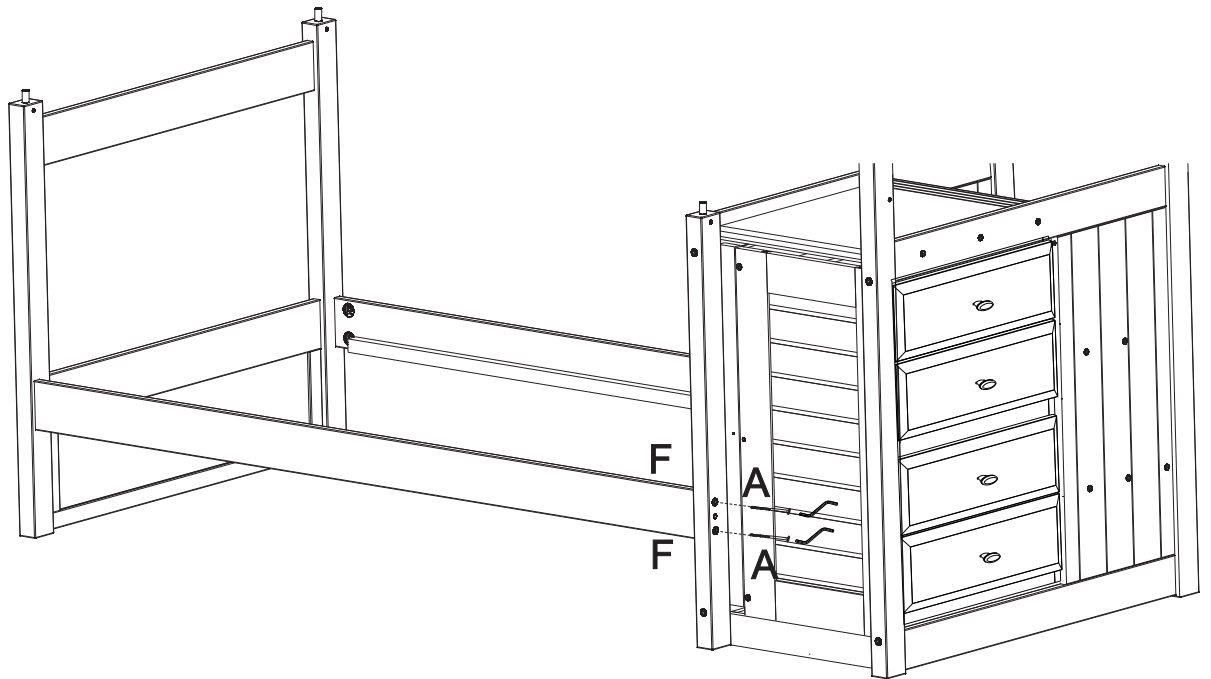


4



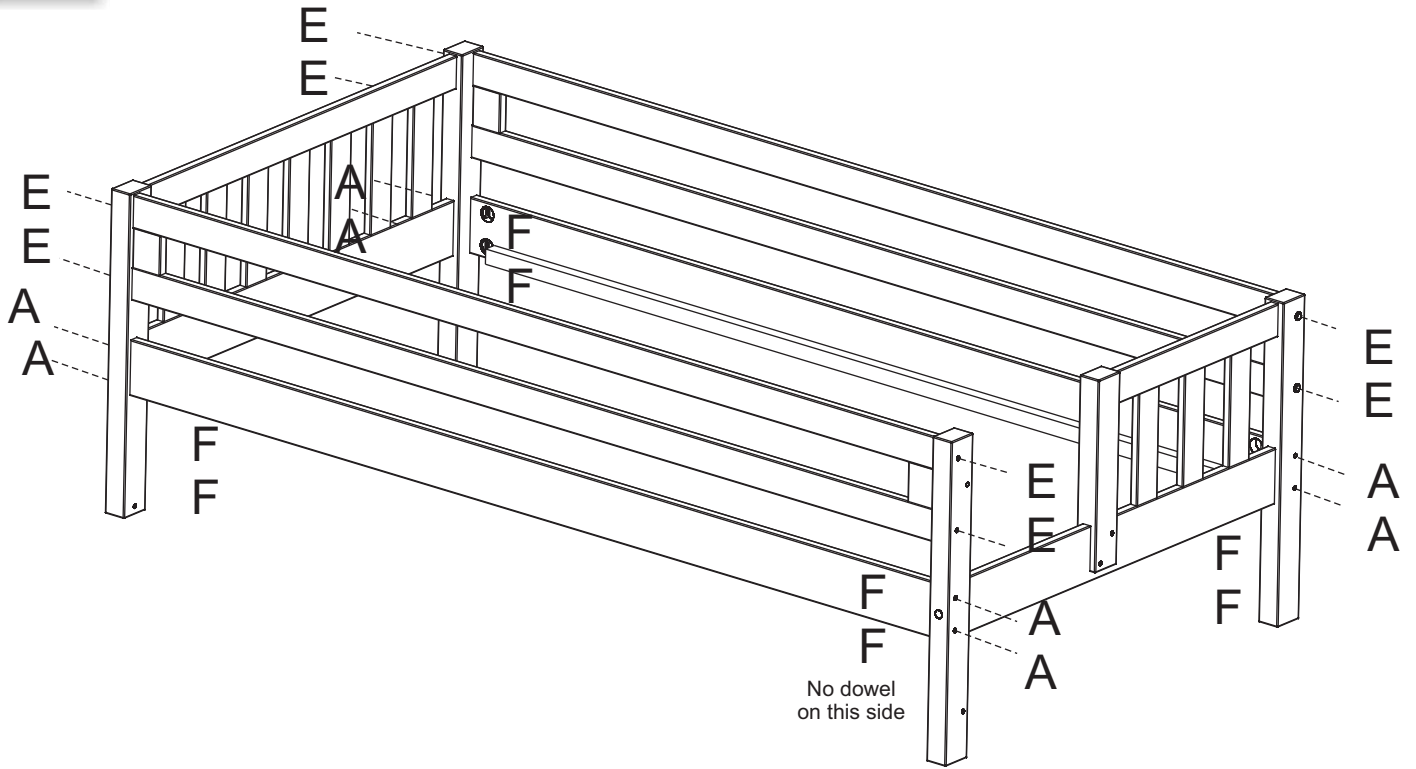
Phillips head screw, use screw driver.

5



6

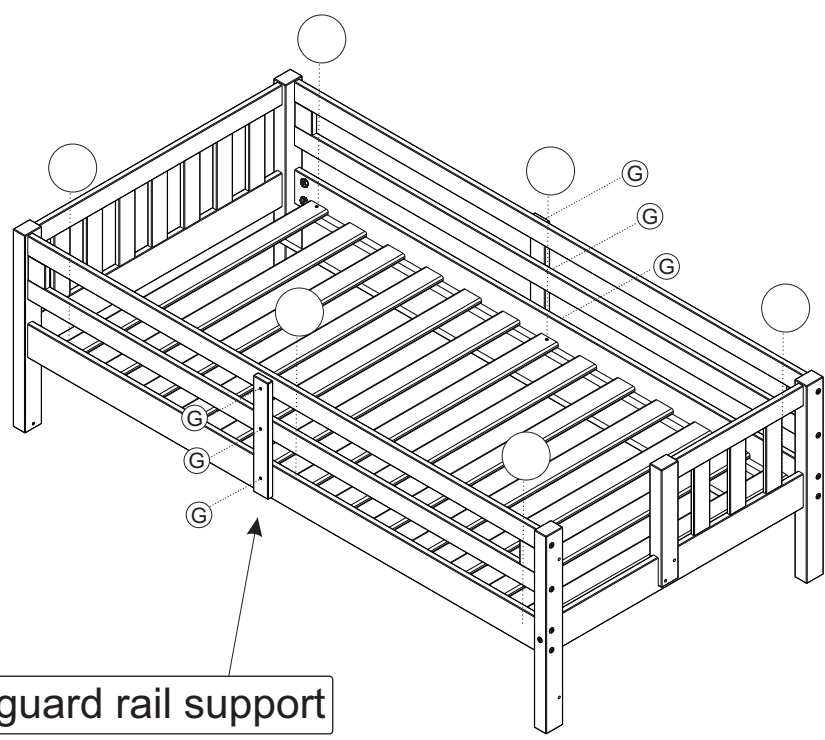
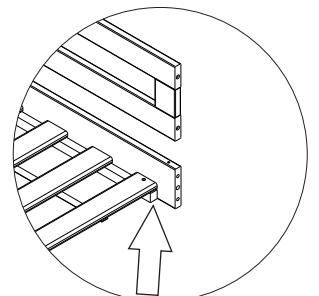
Setup Top Bed



7

Install Slat kit
(Screws in slat box)

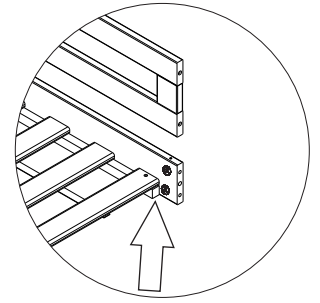
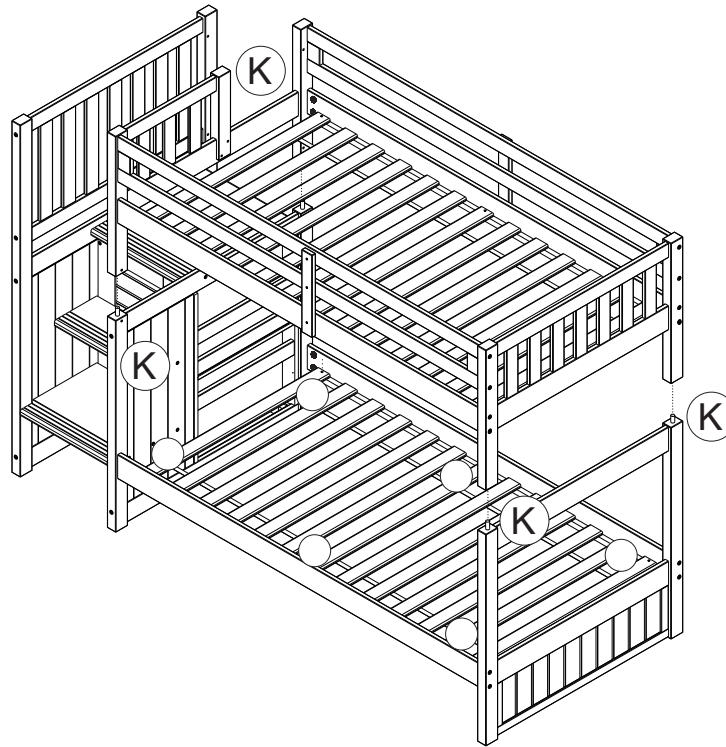
Always start
assembling slat
kit flush with cleat



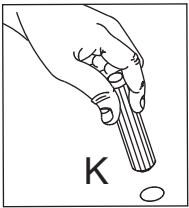
Install guard rail support

8

Drop Top Bed in Place

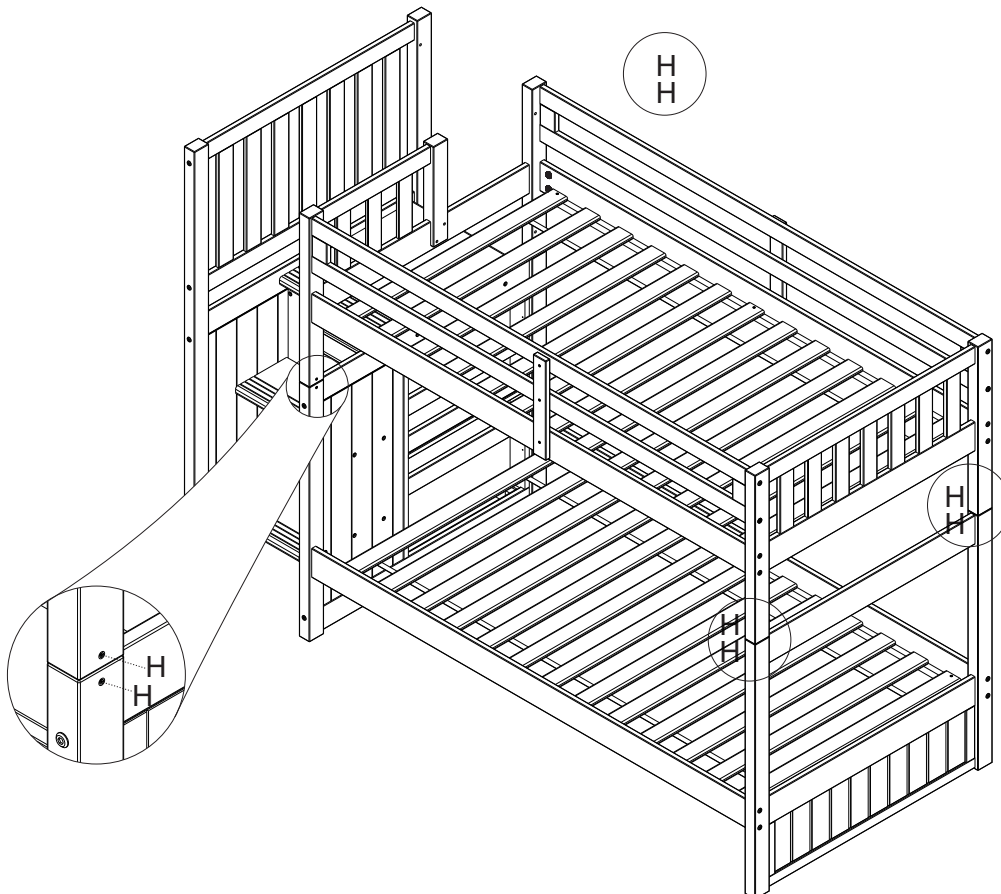


Always start assembling slat kit flush with cleat



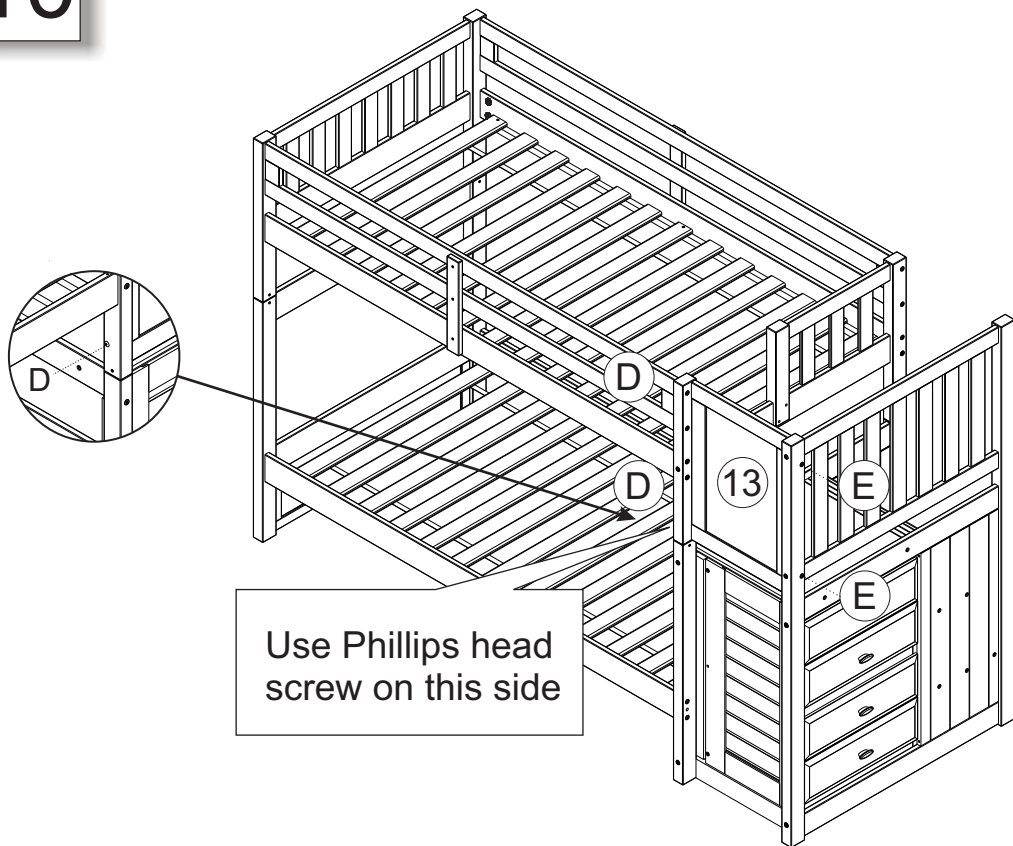
Install Slat kit on bottom bed
(Screws in slat box)

9

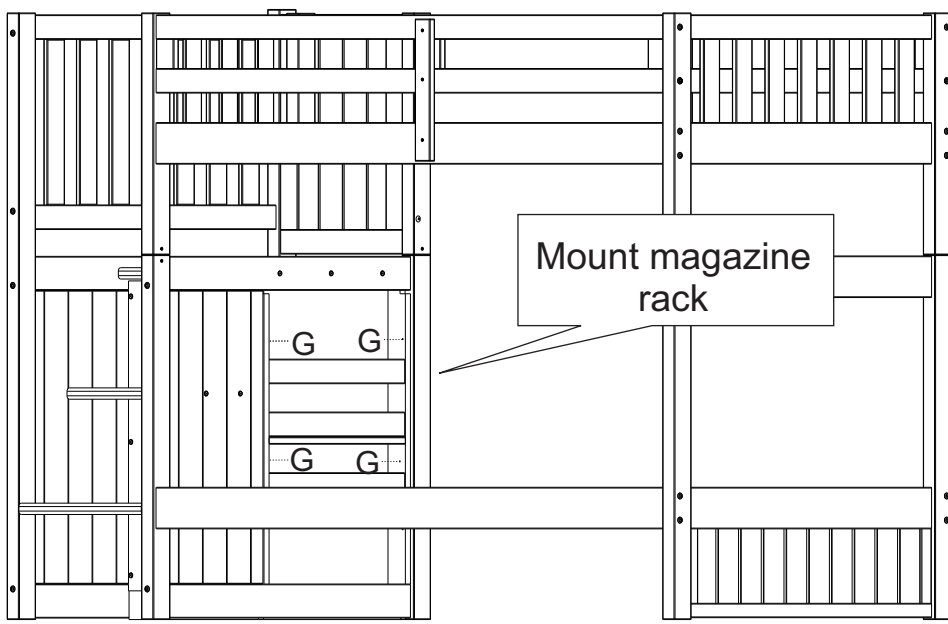


10

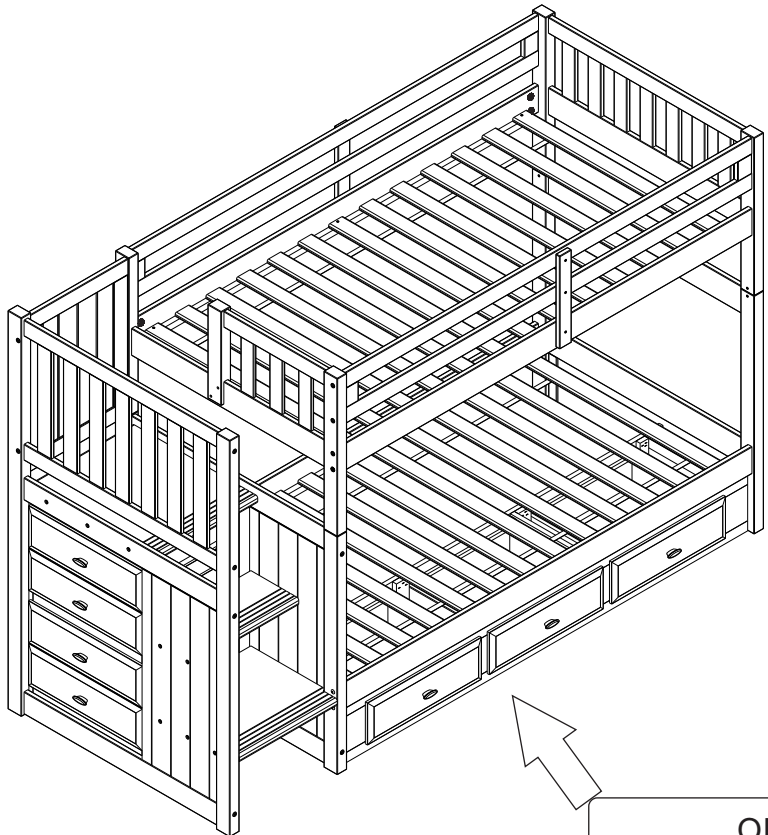
Install Back Panel



11



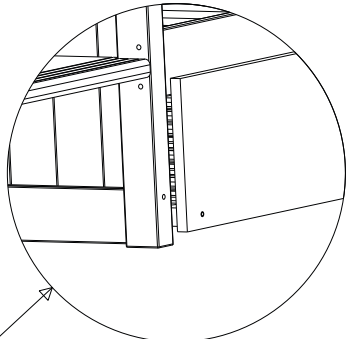
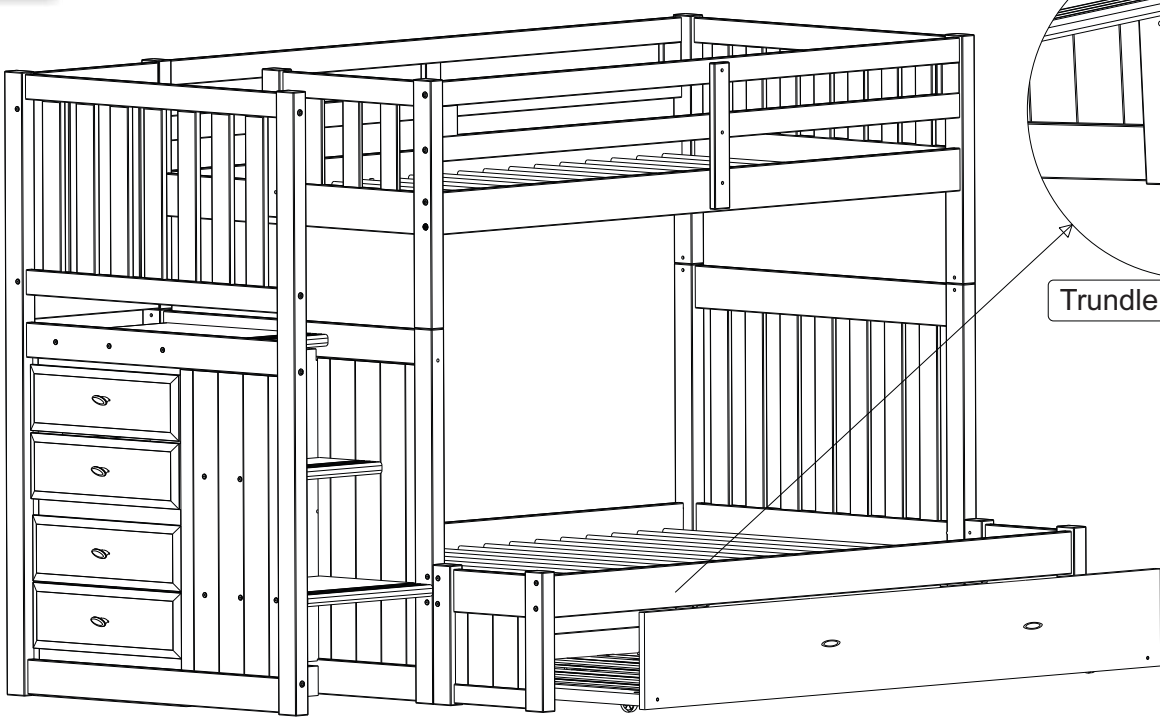
12



OPTIONAL
Pre-Assembled 3 Drawer Unit,
Simply Slide Under The Bunk

13

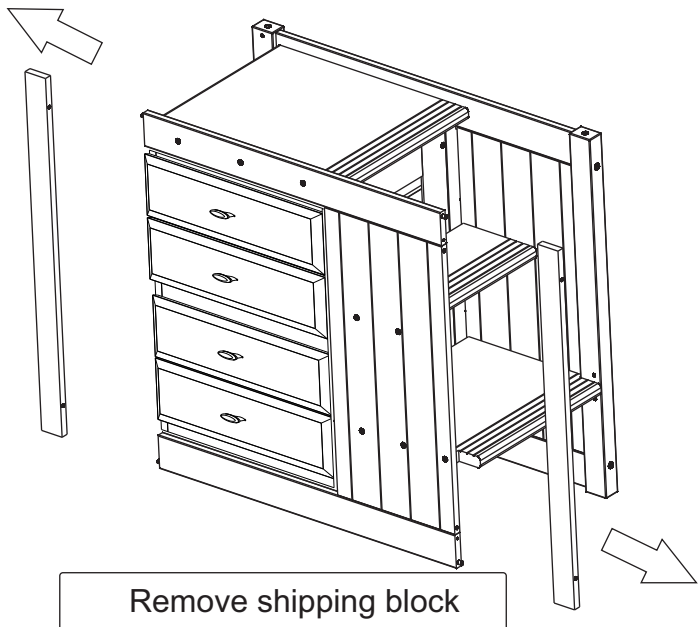
Shown With Optional Full Extension Kit



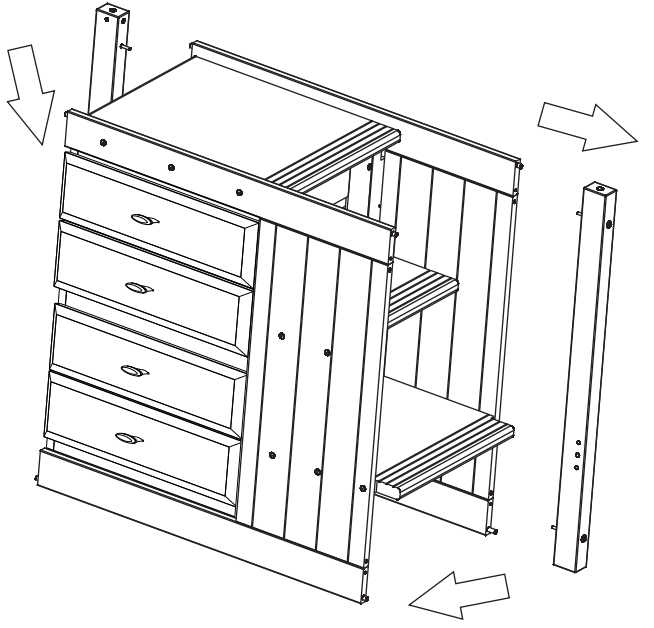
Trundle over lap rail

Shown With Optional Extension Kit & Trundle

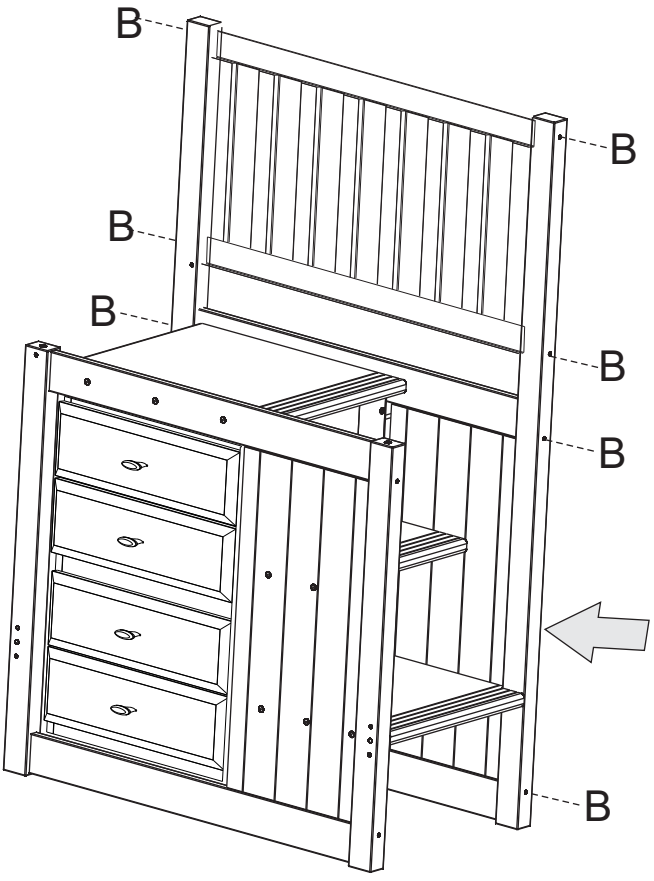
To Install stair case on the right side follow these steps



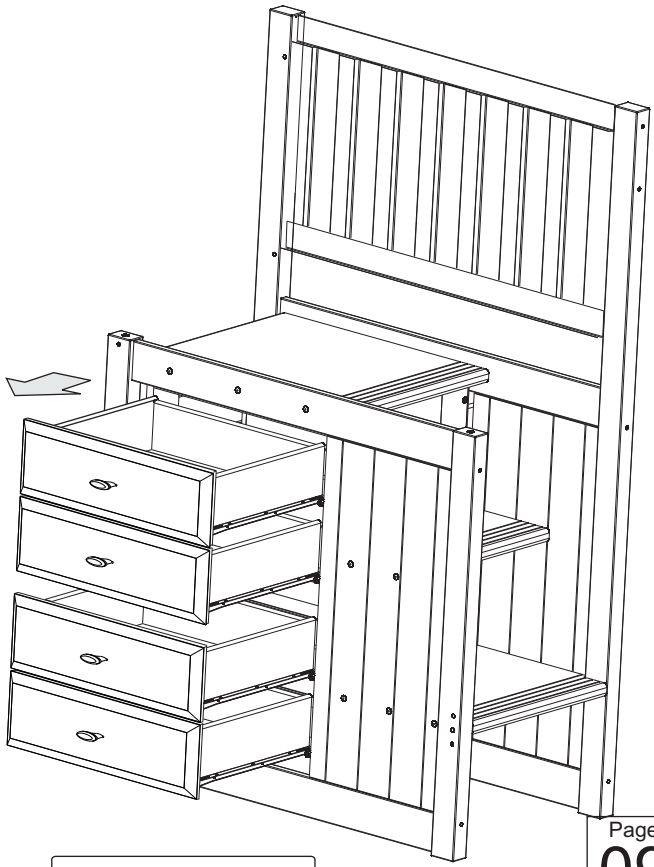
Remove shipping block



Remove both post and transfer it to this side

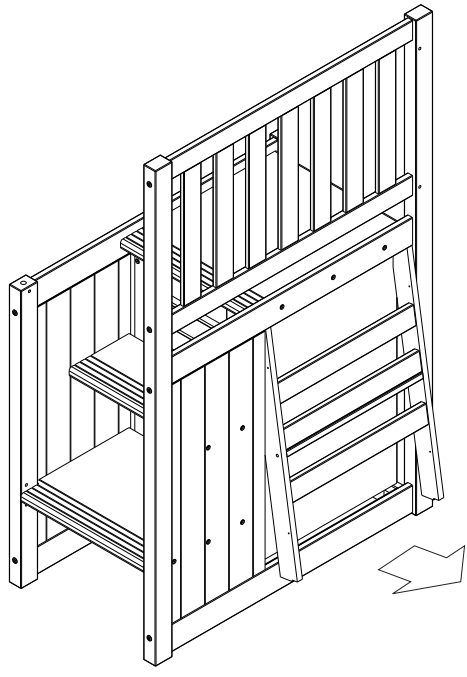


Instal tall post!



Remove Drawers

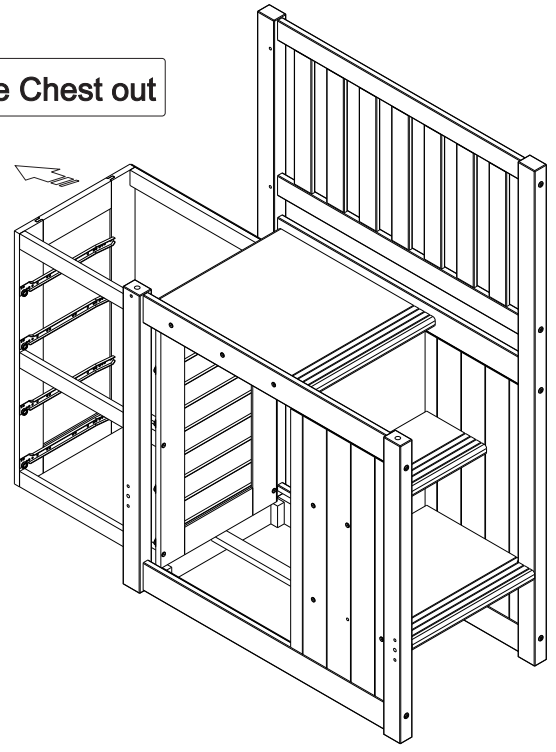
A



Remove Magazine Rack

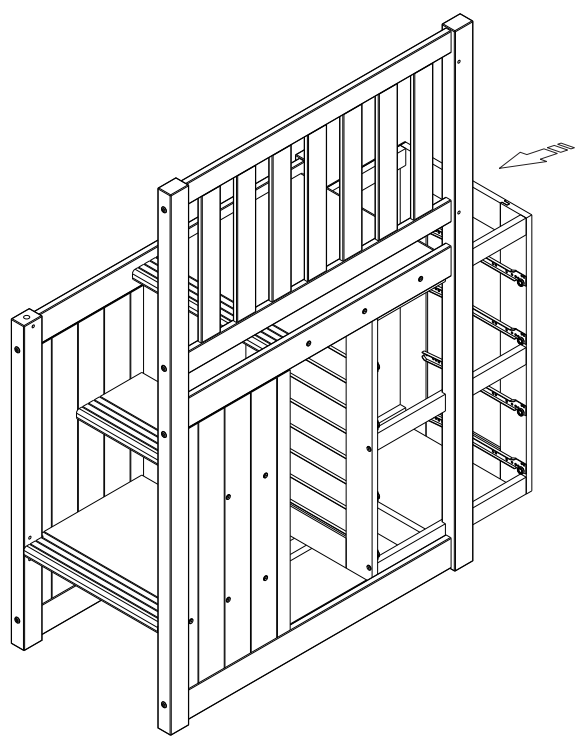
B

Slide Chest out

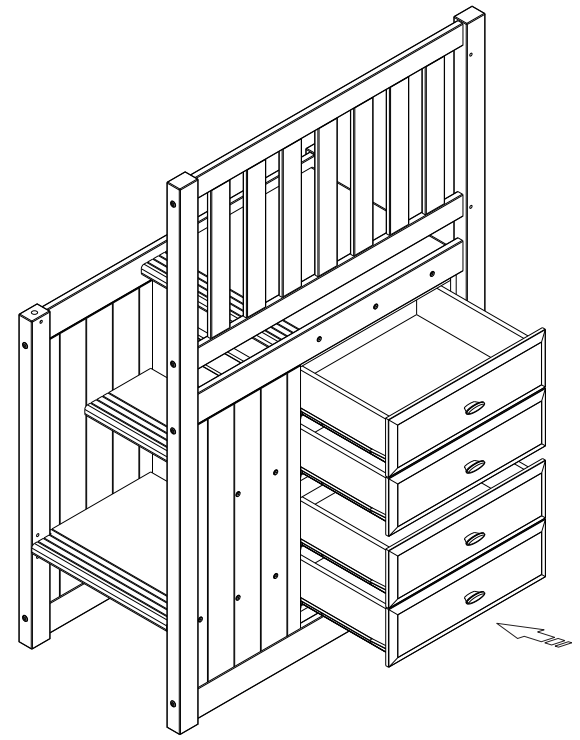


C

Turn chest around and slide it back in



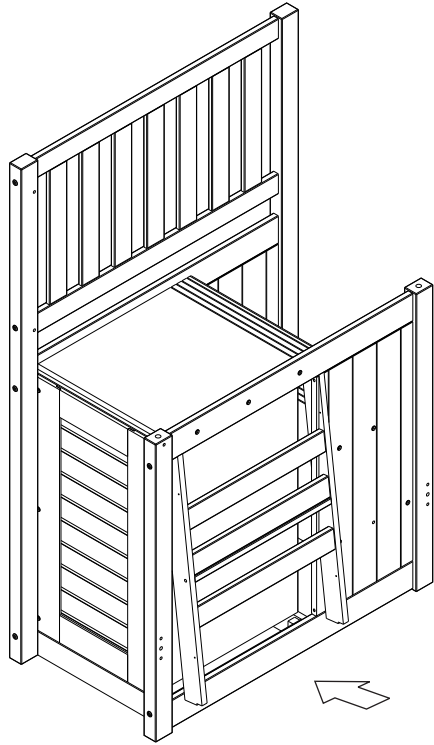
D



Slide Drawers back in

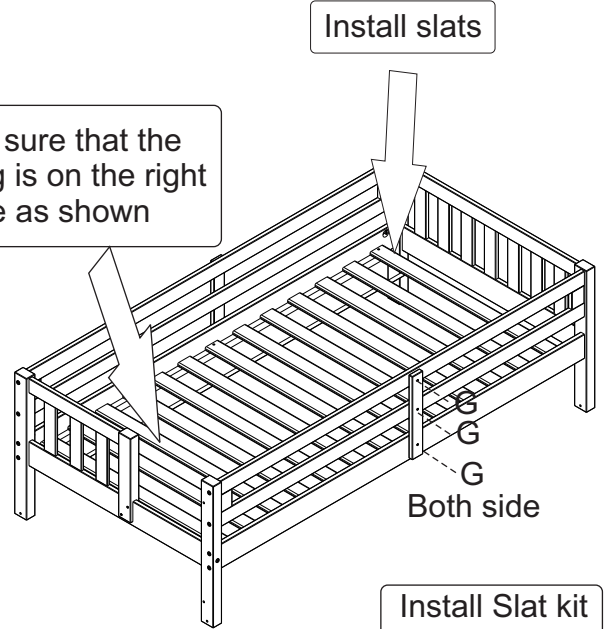
E

Setup top bed



Insert Magazine Rack back in and screw it in place

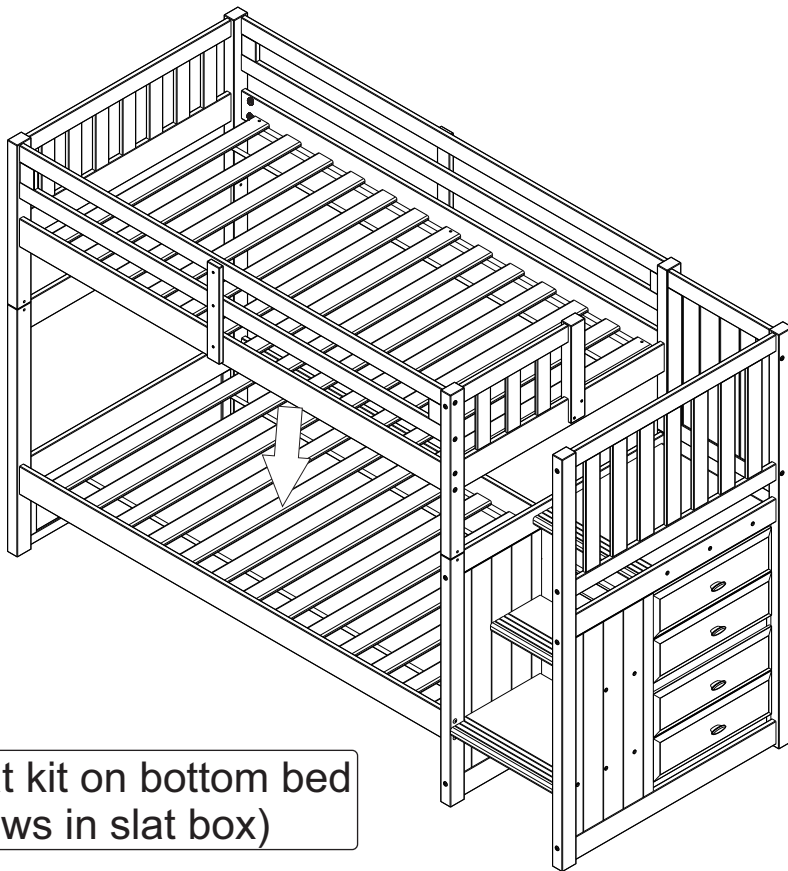
Make sure that the opening is on the right side as shown



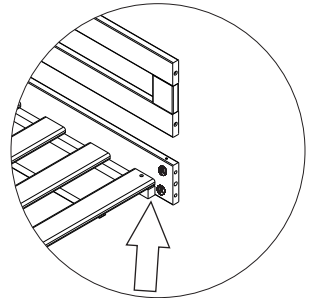
Install slats

Both side

Install Slat kit and guard rail support



Install Slat kit on bottom bed (Screws in slat box)



Always start assembling slat kit flush with cleat