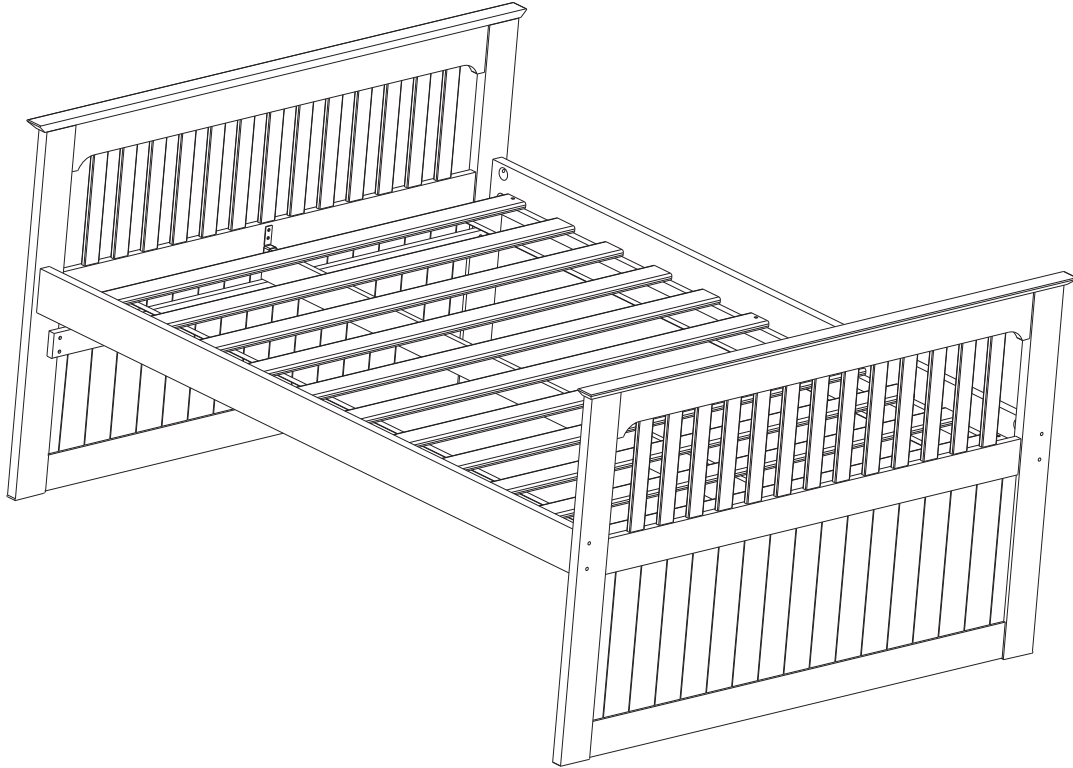
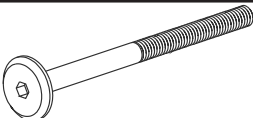
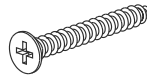
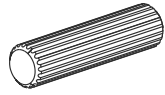

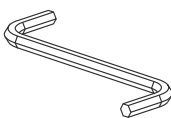
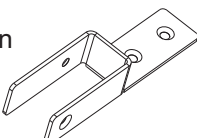



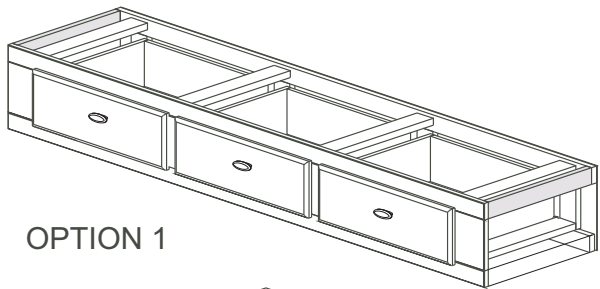
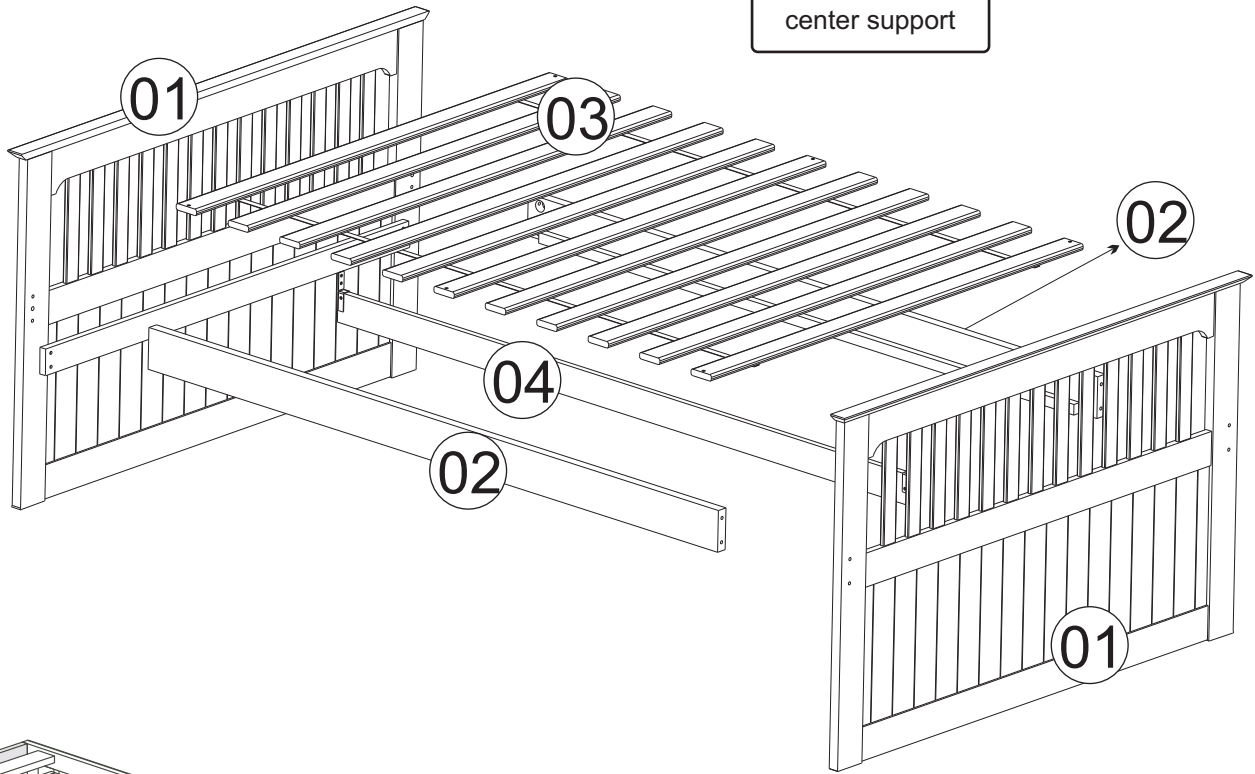


2935/2936 Rake Bed

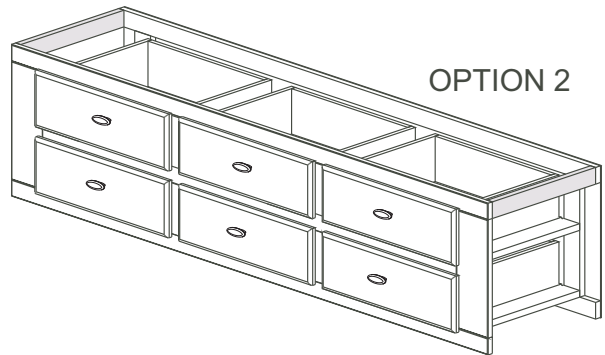


A	 <p style="text-align: right;">1/4" x 2 3/4"</p>	08			
B	 <p style="text-align: right;">1 5/16"</p>	22			
C	 <p style="text-align: right;">1 9/16"</p>	04			
D		08			
E		01			
F	<p>Twin size version will not have this hardware</p> 	02	G	<p>Twin size version will not have this hardware</p>  <p style="text-align: right;">1/2"</p>	08

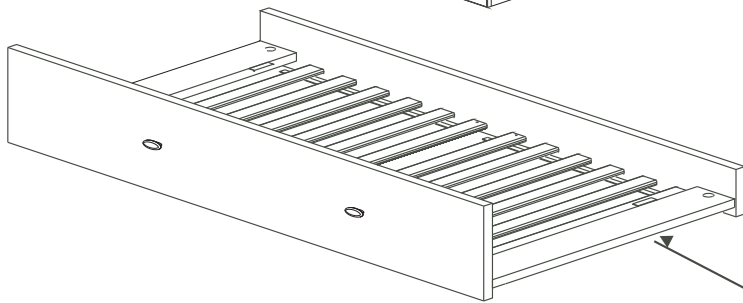
Twin size version
does not have
center support



OPTION 1



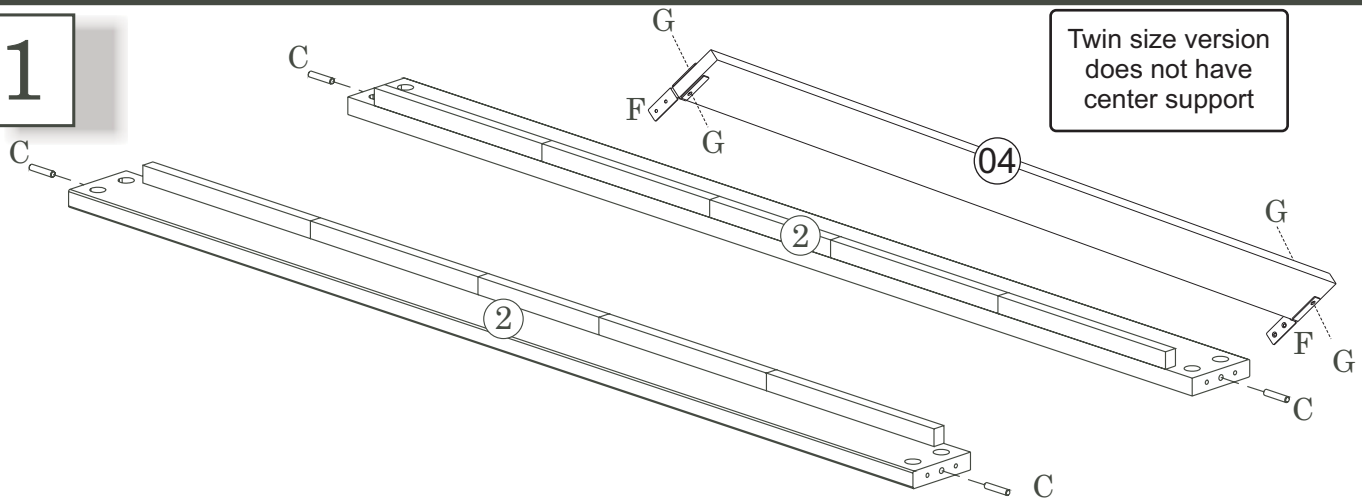
OPTION 2



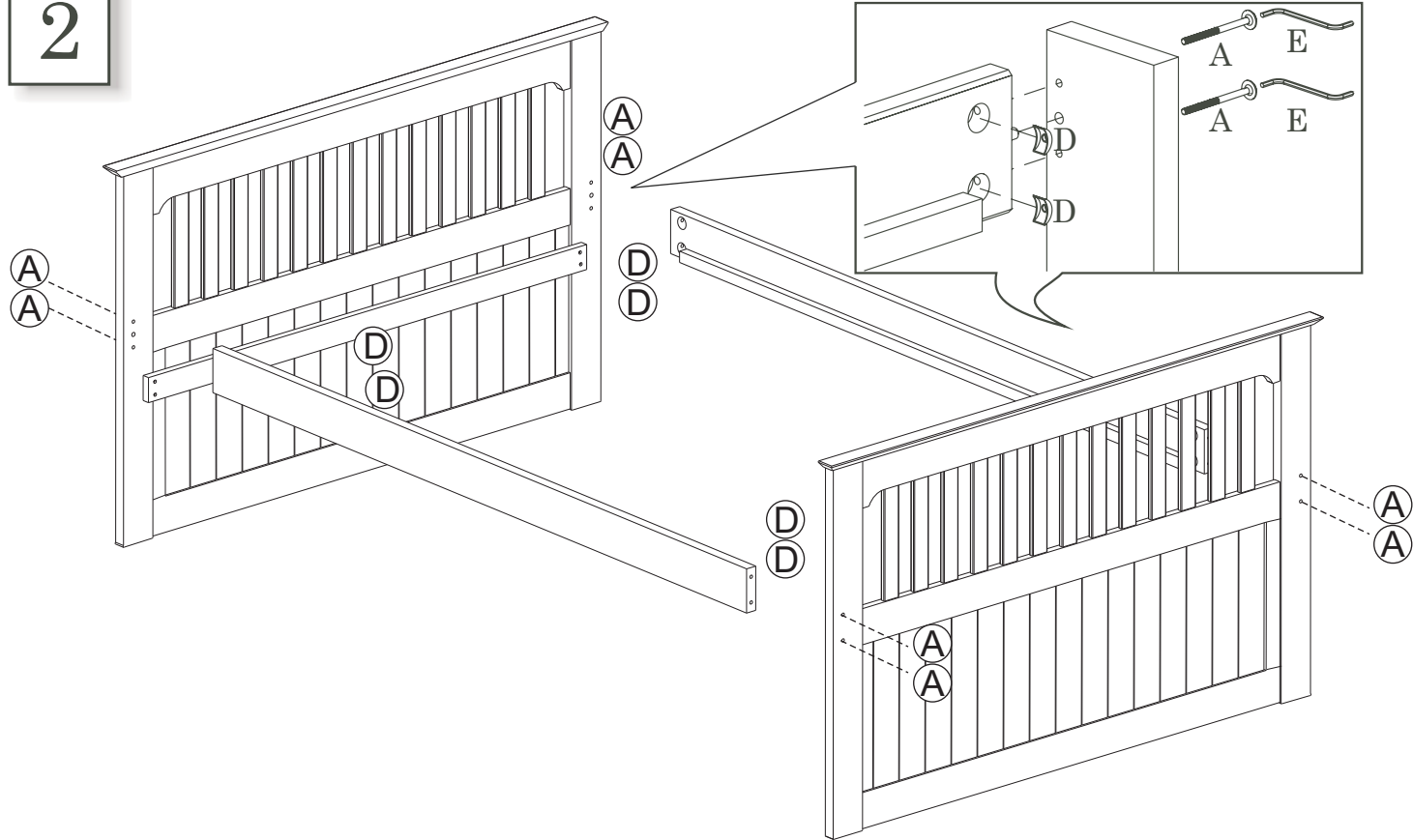
"Trundle Assembly Instructions
in Trundle Box".

1

Twin size version
does not have
center support

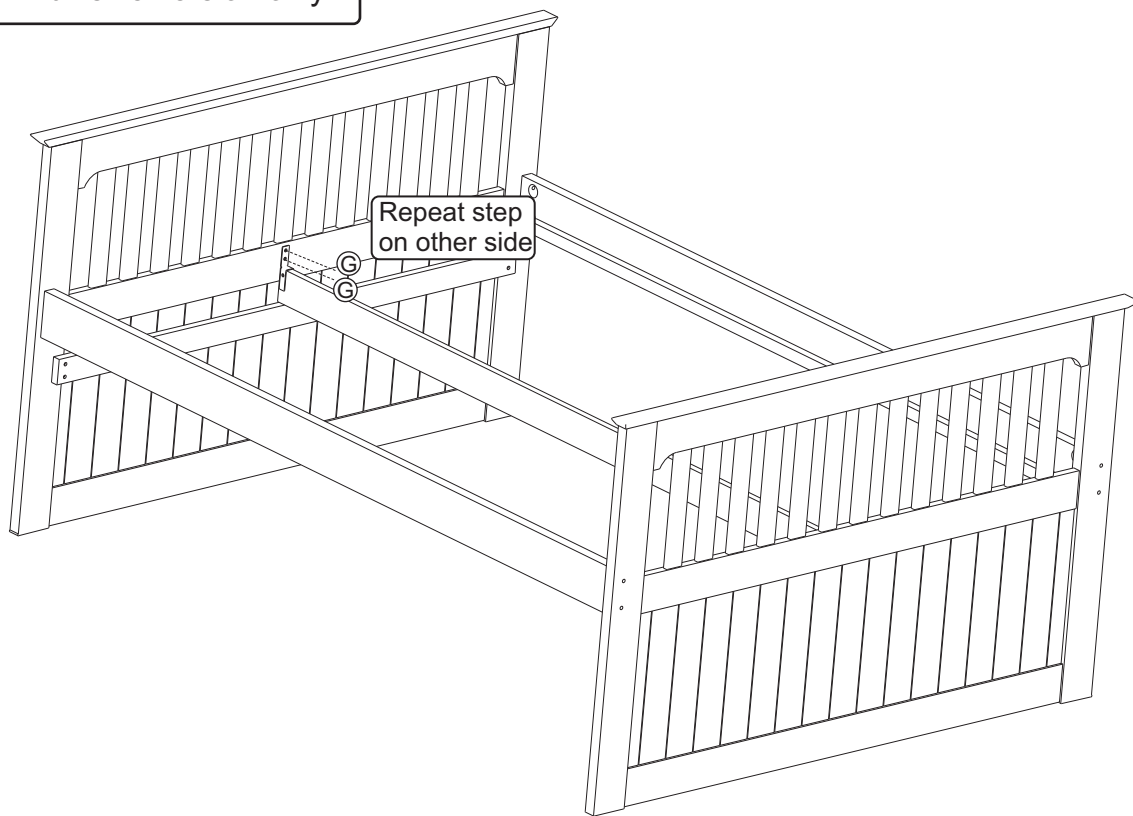


2

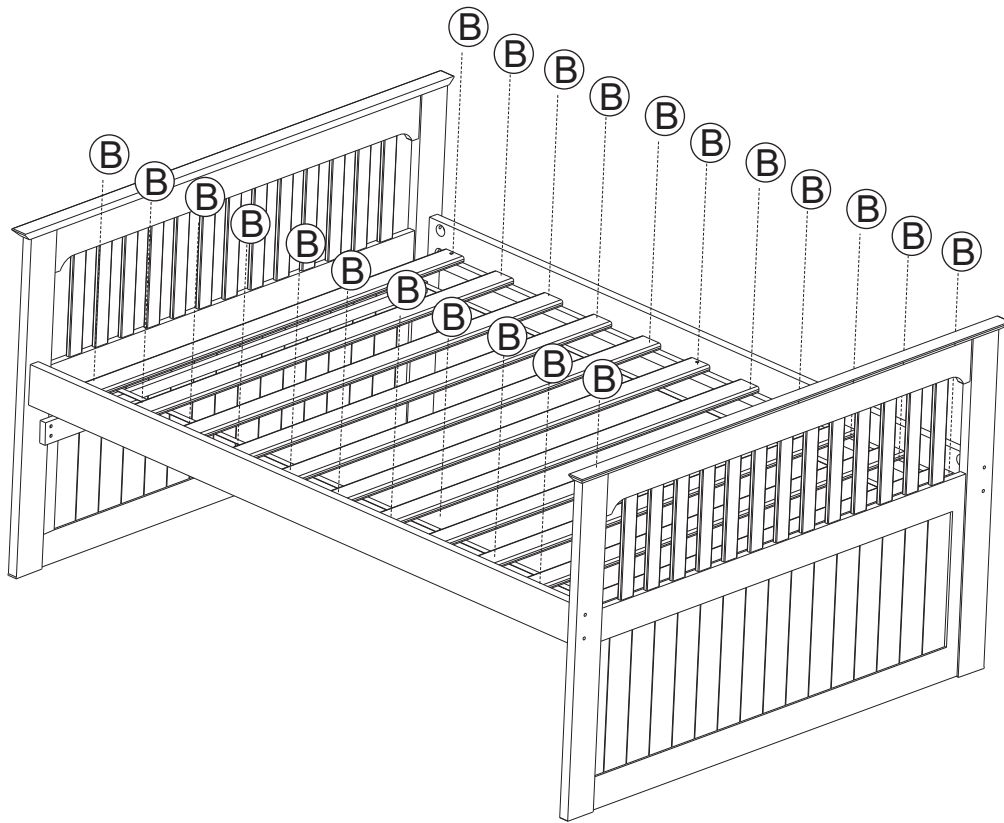


3

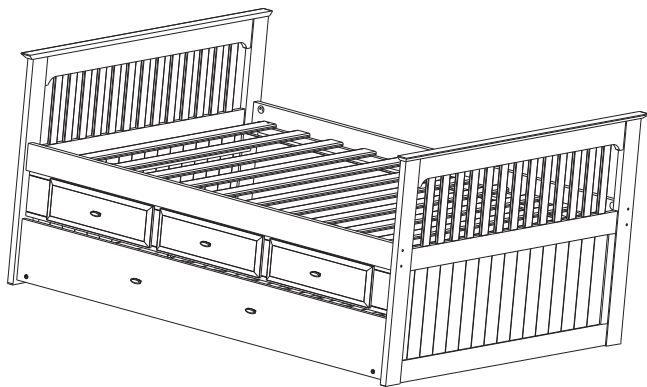
This step applies on the full size version only



4



Shown with optional elevation unit and trundle
Option available for both sizes



2936 Full Size

Shown with optional 6 drawer unit
Option available for both sizes



2935 Twin Size